

LitAIR - SmartPro

Model BTS2003

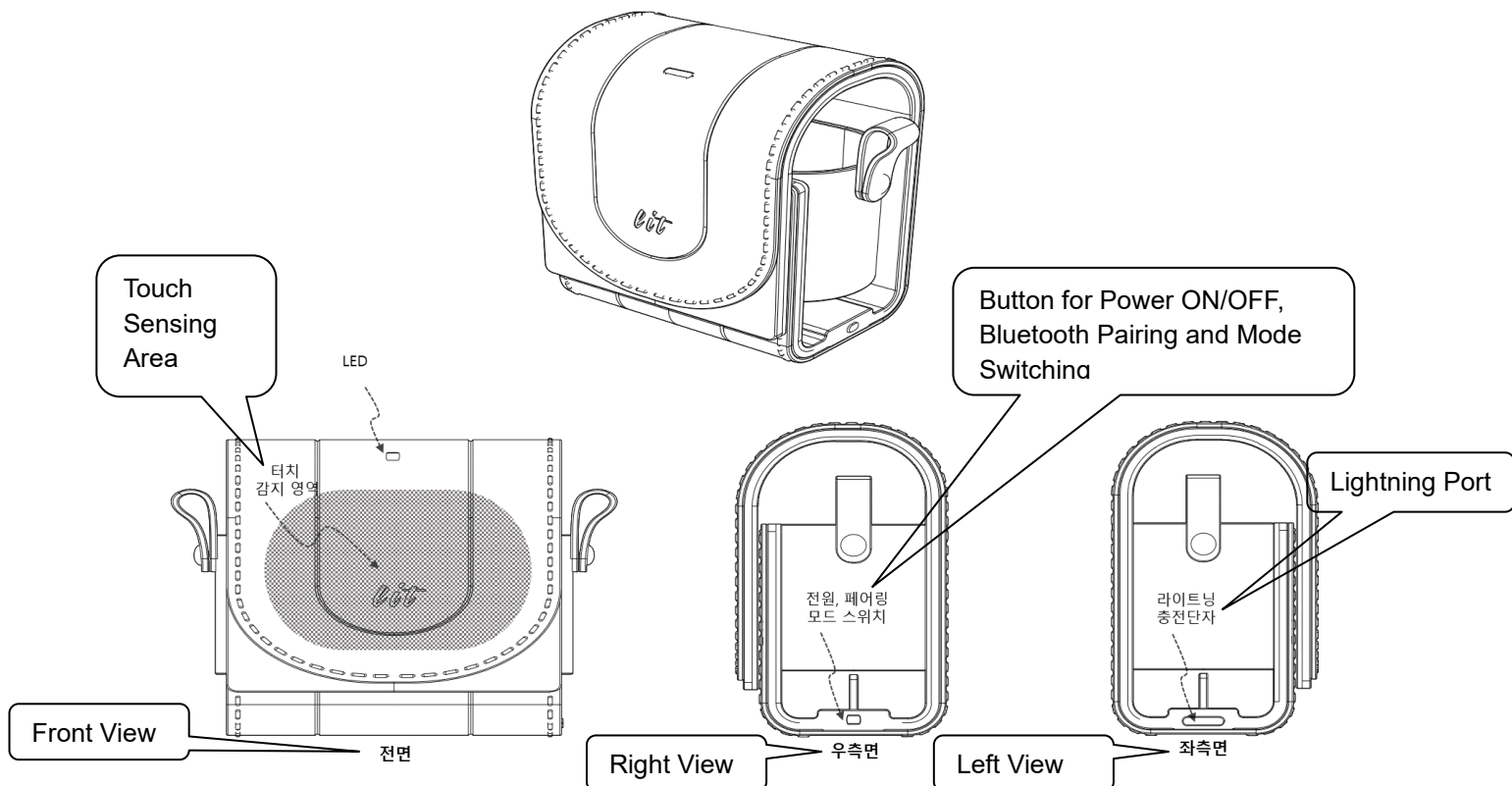
USER GUIDE

www.litiscool.com

AirPod Pro Case with Anti-lost and Touch Gesture Remote Control Functions.

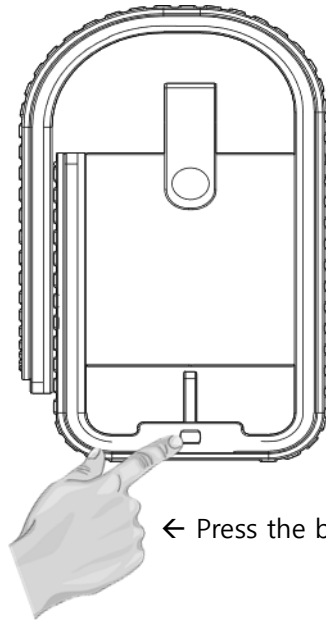
Description

LitAIR is Bluetooth enabled AirPod Pro protective leather case with touch sensor. It operates with simple touch gesture inputs on the front surface of the device and mobile App. It remotely controls media playback of mobile devices, allows you to remotely accept incoming call on your smartphone, and remotely control turn on/off and shutter release of your smartphone camera. When it's connected to e-book or notebook through Bluetooth, you can navigate pages or presentation slides from up to 10~15 meters(32~49 fts). When a connected smartphone and LitAIR are out of Bluetooth range, internal haptic motor vibrates and/or buzzer alarms. LitAPP, available on the Google Play Store or the Apple App Store, works with LitAIR and makes it easy to use as well as offering extended features.



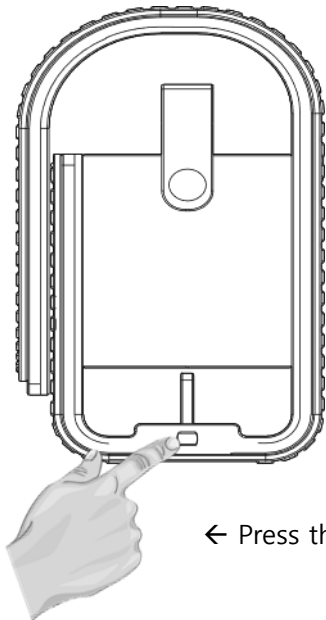
Getting Started

Press Power ON/OFF button for longer than 3 seconds until LED blinks. If LED does not blink at all, connect to Lighting charger, then press Power ON/OFF switch again.



← Press the button for 3 seconds: Power ON

Bluetooth Connection



After unboxing LitAIR and turn on power, it automatically enters Bluetooth pairing mode..

For manual pairing, press Power button 3 times consecutively. Blue LED blinks when it's in paring mode.

When LitAIR_XXX is discoverable on the device list, then tap the name on the list to connect. LED blinking color represents operating mode.

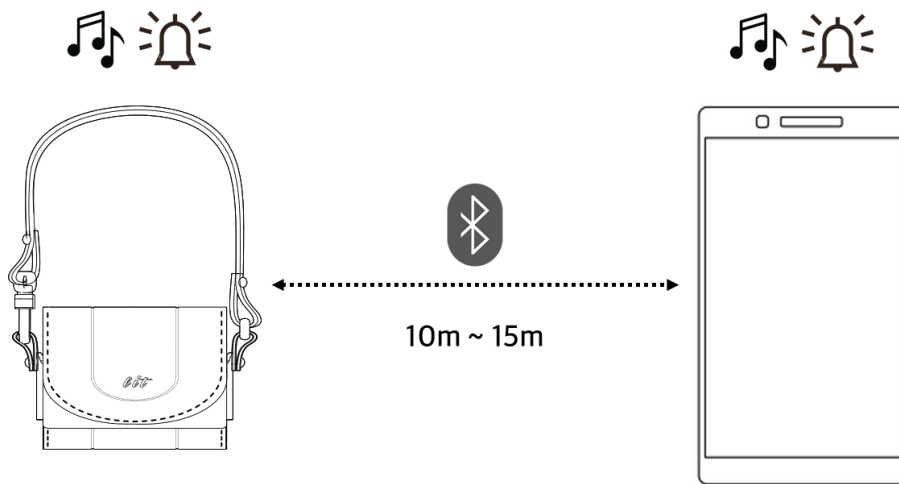
← Press the button 3 times consecutively: Pairing mode ON

Buzzer/Vibration ON/OFF

Press the button twice consecutively then Buzzer and Vibration Anti-Lost function toggles between enabled and disabled.

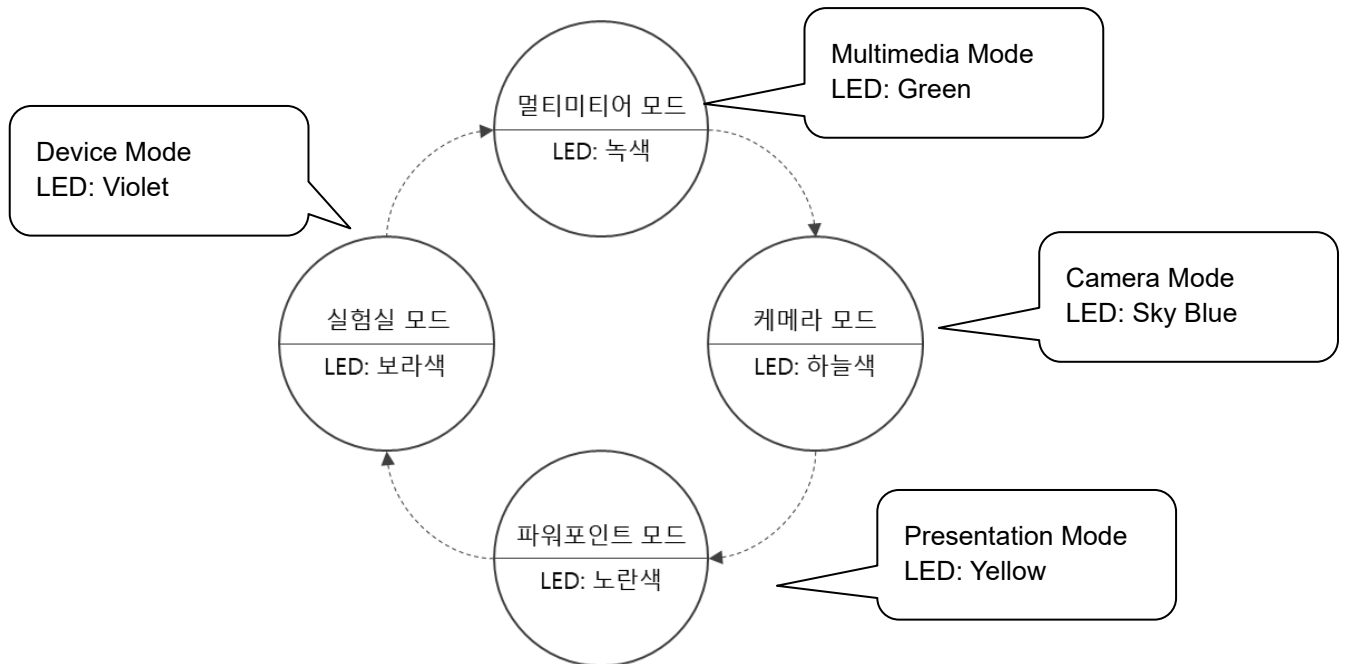
Bluetooth Anti-Lost

Anti-Lost is activated when LitAIR is connected to a smartphone through Bluetooth. If those connected devices are out of Bluetooth connection range, both LitAIR and the smartphone respond and generate alarm signals. If LitAPP was running at that time, it locates the disconnection spot on a map.



Mode Switching

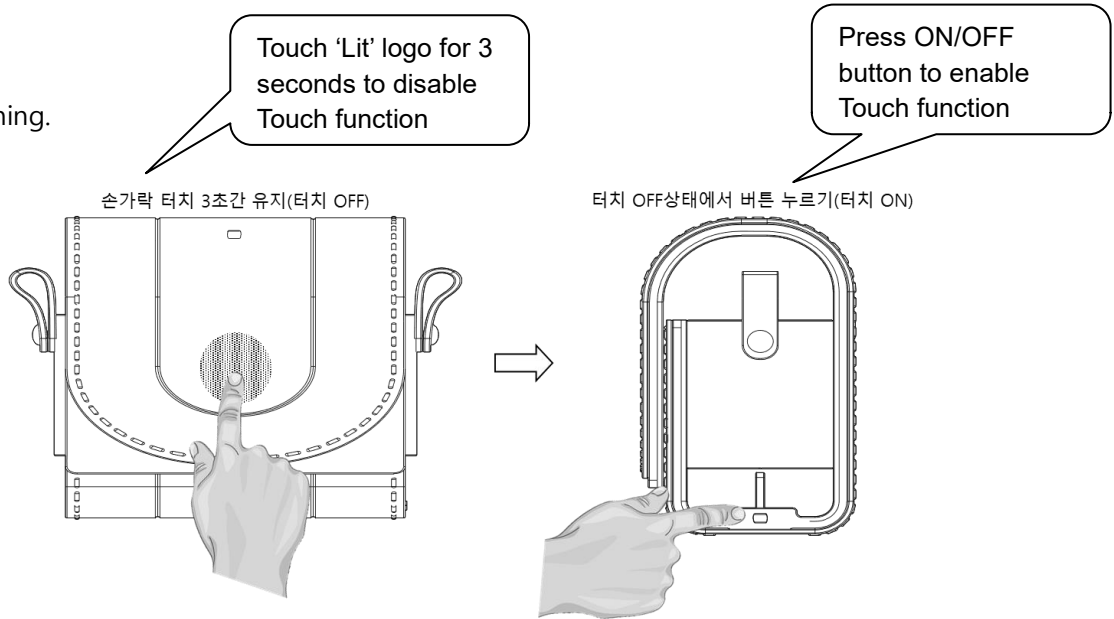
There are four different operation modes, you can enter the mode in the order below by pressing mode switching button. LED blinking color represents current operation mode



Enable or Disable Touch Function

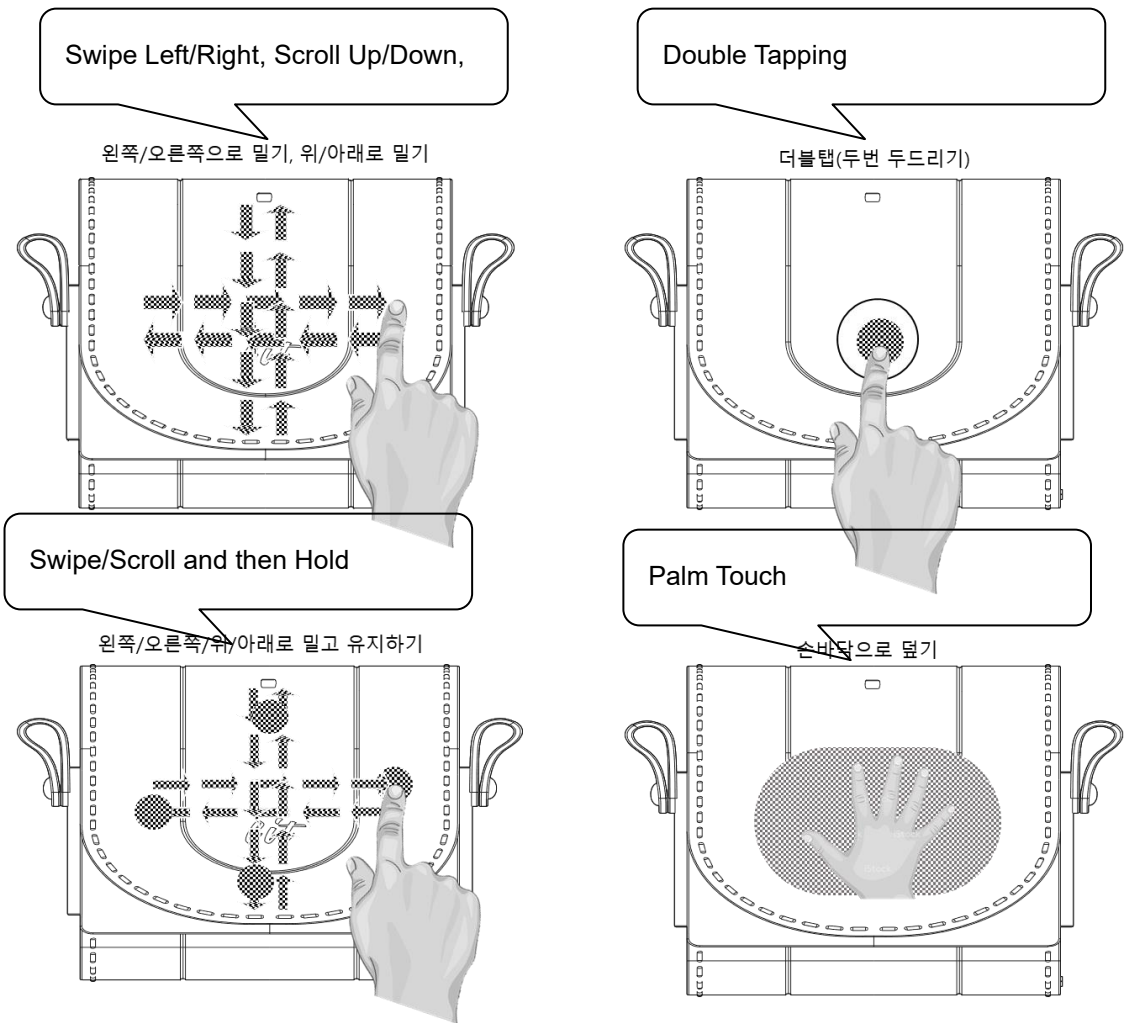
Touch function can be set to be enabled or disabled to avoid unwanted touch input and

malfunctioning.



1. Keep touching 'Lit' logo on the front of LitAIR for 3 seconds, then Touch function is disabled and LED color changes to white.
2. Press ON/OFF button on the side, then Touch function is enabled. .

Touch Gesture Input



LED Color/Blinking Assignment to the Operation

LED	Blue	Red	Green	Sky Blue	Yellow	White
Bluetooth Disconnected	Blinking slowly					
Bluetooth Pairing Mode	Blinking					
Low Battery		Blinking				
Battery Charging		ON				
Fully Charged	ON					
Touch Input Detected						Blinking
Multimedia Mode & Call Receive Mode			Blinking			
Call Receiving						Blinking
Camera Mode				Blinking		
Presentation Mode					Blinking	

Function and Operation by OS

Android			
Mode	Multimedia/ Call Receive	Camera	Presentation
Double Tapping	Play/Pause, Accept Call Receive	Shooting Once	Begin Slide Show
Scroll Up	One Step Volume Up	Shooting Once	First Slide
Scroll Up and then Hold	Continuous Volume Up	Continuous Shooting	
Scroll Down	One Step Volume Down	Shooting Once	Last Slide
Scroll Down and then Hold	Continuous Volume Down	Continuous Shooting	
Swipe Right	Next Music		Next Slide
Swipe Right and then Hold	Fast Forward		Fast Forward
Swipe Left	Previous Music		Previous Slide
Swipe Left and then Hold	Rewind	Exit	Rewind

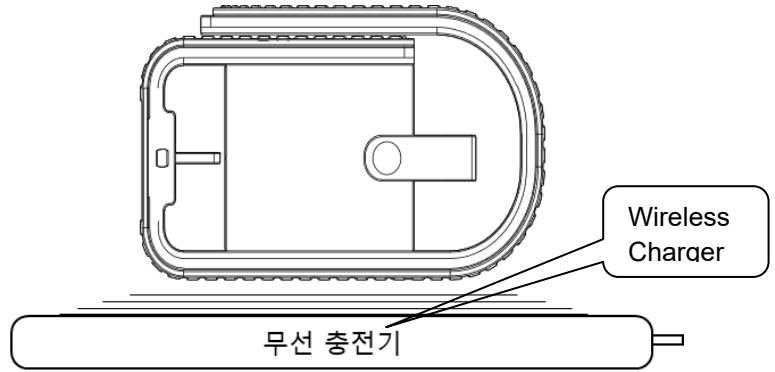
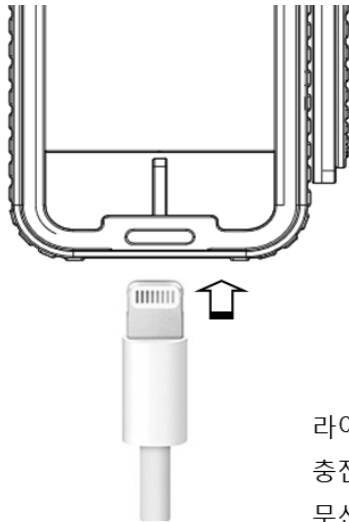
iOS			
Mode	Multimedia/ Call Receive	Camera	Presentation
Double Tapping	Play/Pause, Accept Call Receive	Shooting Once	Begin Slide Show
Scroll Up	One Step Volume Up	Shooting Once	-
Scroll Up and then Hold	Continuous Volume Up	Continuous Shooting	
Scroll Down	One Step Volume Down	Shooting Once	-
Scroll Down and then Hold	Continuous Volume Down	Continuous Shooting	
Swipe Right	Next Music		Next Slide
Swipe Right and then Hold	Fast Forward		Fast Forward
Swipe Left	Previous Music		Previous Slide
Swipe Left and then Hold	Rewind	-	Rewind

Windows		
Mode	Multimedia/ Call Receive	Presentation
Double Tapping	Play/Pause,	Begin Slide Show
Scroll Up	One Step Volume Up	First Slide-
Scroll Up and then Hold	Continuous Volume Up	
Scroll Down	One Step Volume Down	Last Slide
Scroll Down and then Hold	Continuous Volume Down	
Swipe Right	Next Music	Next Slide
Swipe Right and then Hold	Fast Forward	Fast Forward
Swipe Left	Previous Music	Previous Slide
Swipe Left and then Hold	Rewind	Rewind

macOS		
Mode	Multimedia/ Call Receive	Presentation
Double Tapping	Play/Pause,	Begin Slide Show
Scroll Up	One Step Volume Up	First Slide-
Scroll Up and then Hold	Continuous Volume Up	
Scroll Down	One Step Volume Down	Last Slide
Scroll Down and then Hold	Continuous Volume Down	
Swipe Right	Next Music	Next Slide
Swipe Right and then Hold	Fast Forward	Fast Forward
Swipe Left	Previous Music	Previous Slide
Swipe Left and then Hold	Rewind	Rewind

Charging LitAIR

Connect a Lightning charger to the Lightning port on the side. It charges both LitAIR and AirPods Pro simultaneously.



라이트닝 케이블을 릿에어 측면에 연결하면 에어팟과 릿에어가 동시에 충전됩니다.

무선충전기를 이용하면 에어팟만 충전됩니다.

Connect a Lightning charger to the Lightning port on the side and charge LitAIR and AirPods Pro simultaneously.
Wireless charger charges AirPods Pro only.

Bluetooth

Bluetooth 4.2 LE

Bluetooth wireless range: Max 10~15m(32~49 ft).

Frequency: ISM Band 2.4GHz

OS

OS compatibility: Android, Windows, iOS & macOS,

Functions

Music play/pause, navigation, volume up/down,

Camera shutter remote

e-Book remote

Presenter remote

Incoming call remote accept

Specifications

Supports sleep and wake-up functions

LED indication for touch input, Bluetooth pairing, low/full battery and mode switching

ON/OFF power button to maximize battery life

Current consumption: under 6mA at normal operation

under 800uA at sleep mode

Power supply: 3.8V/80mAh, 0.3084WH, Li-ion Rechargeable Battery,

Battery charge time: 0.5 hour

Battery life: Approximately 2 days of continuous usage, 5 days at stand-by mode

Certifications

KC: R-R-btu-BTS2003

TELEC: R210-126452

FCC: 2ASN3BTS1801

CE: CTS-R19-0025

FCC Warning Statement

FCC Part 15.19

This device complies with part 15 of the FCC Rules. Operation is subject to the following two conditions: (1) this device may not cause harmful interference, and (2) this device must accept any interference received, including interference that may cause undesired operation.

FCC Part 15.21

Any changes or modifications (including the antennas) to this device that are not expressly approved by the manufacturer may void the user's authority to operate the equipment.

FCC Radiation Exposure Statement

This equipment complies with FCC Radiation exposure limits set forth for an uncontrolled environment. This device and its antenna must not be co-located or operating in conjunction with any other antenna or transmitter.

This equipment should be installed and operated with a minimum distance of 10cm between the radiator and your body.

Physical

Dimensions: 60 x 50 x 35mm

Device Weight: 40g (0.7oz)

Available Colors: Black, Brown and Red

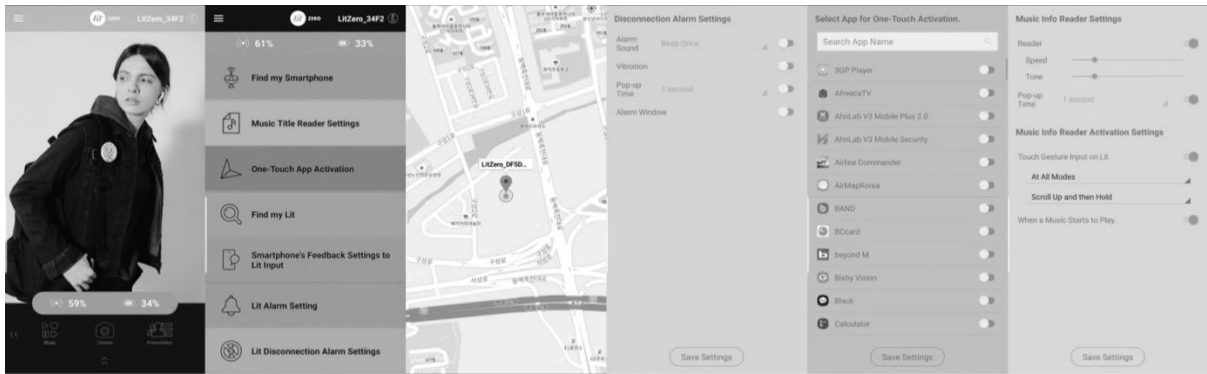
Mobile App

LitAPP is available on the Google Play Store or the App Store



LitAPP

BLUETIUM



Additional Features included in LitAPP

- Compatible with Android and iOS
- Battery status, Bluetooth signal strength
- Operation mode switching
- One-touch App activation
- Finding my smartphone, Finding my Lit ZERO
- Music info reader
- Smartphone feedback setting
- Lit ZERO disconnection alarm
- Alarm setting

Package Contents

- LitAIR_Smart_Pro
- Non-woven fabric envelop
- User Manual
- Thank you card

Warranty

1 Year limited

Customer Support

- Email: info@bluetium.com
- Phone: +82-31-229-3579