

Intellect™ Sensor Head

Cat. No. ZL00J-T0W

WARNINGS

- **TO AVOID FIRE, SHOCK, OR DEATH; TURN OFF POWER** at circuit breaker or fuse and test that power is off before wiring!

- If you are unsure about any part of these instructions, consult an electrician.
 - To be installed and/or used in accordance with appropriate electrical codes and regulations.
- NOTE:** Suitable for use in air handling spaces.

PK-A3248-10-02-2A

INSTALLATION INSTRUCTIONS

ENGLISH

DESCRIPTION

- The Intellect™ enabled Sensor Head detects both light level and occupancy. The sensor uses passive infrared (PIR) for occupancy detection. To be effective, PIR technology requires direct line of sight to detect occupants (refer to product data sheets for field of view and appropriate application information).
- The Sensor Head has a pre-attached trim ring which can be painted in the field to match mounting surface (Fig. 2). Pry away trim ring with a small screwdriver to paint and reattach when dry.
- The Sensor Head may be installed into your fixture by the fixture manufacturer, or with certain fixtures types like downlights, adjacent to the fixture. When the sensor is pre-installed on a fixture, refer to fixture documentation for installation methods, means, and requirements.

NOTES:

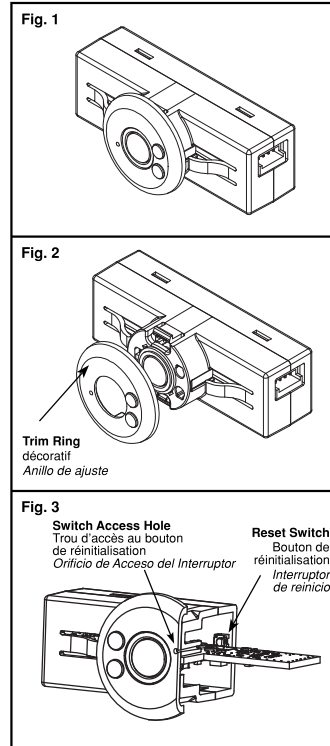
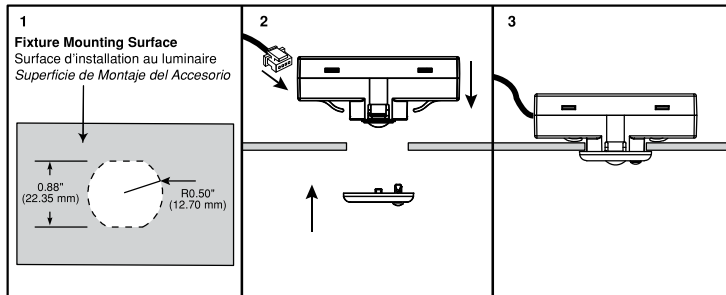
- For connection only to Intellect™ enabled Power Control Module (PCM) or LED Module.
- Maximum distance between Sensor Head and Power Control Module is 10 feet (3 m).
- The cable between the Sensor Head and Power Control Module must be provided by the fixture manufacturer, and, is not field modifiable. Alternate lengths are available should the one provided be too short or long. Use only Intellect cable for connection between Sensor Head and Power Control Module. Connection cables are available in lengths of 12" 18", 24" and 30". See Cat No. ZLAEX Series Cables.
- If pre-installed into a fixture, and you are replacing, refer to fixture instructions for appropriate installation.
- Sensor head is designed to be mounted a maximum of 12 feet high, with fixture spacings at a spacing to mounting height of 1:1.

Specifications	
Part Number	ZL00J-T0W
Input Rating	6V, Class 2 Isolated Circuit
Certifications	FCC Part 15, Class B
IP Rating	IP20
Operational Temperature (T _a)	14° to 185° F (-10° to 85° C) 0 to 90% Humidity non condensing

INSTALLATION

Fixture Mounting Surface

1. ZL00J-T0W sensor head installs into 1"X0.88" Double-D mounting hole inside your fixture, see figure for dimension details and fixture installation instructions for replacement details.
2. Attach jack to Sensor Head.
3. Push Sensor head into fixture mounting surface and attach trim ring.



OPERATION AND TROUBLESHOOTING

- Under normal operation, the red LED blinks when Occupancy is detected. This LED can be disabled through software.
- Sensor head can be restored to factory default by pushing up a thin object through the reset switch access hole opposite the led indicators (as shown in Fig. 3) and holding the switch until the LED indicator blinks rapidly (approx. 10 seconds) and then removing. A factory default (out of the box) operation will:
 - Automatically turn lights ON upon detection of occupancy.
 - Turn lights OFF after vacancy is detected, and 30 minutes has elapsed.
 - Automatically calibrate daylight harvesting.
 - All fixtures will operate independently of each other until wirelessly connected to a Room Controller.
- For changes to default operation, system must be configured. Refer to your system documentation for details.

FCC COMPLIANCE STATEMENT

This device complies with Part 15 of the FCC Rules. Operation is subject to following two conditions: (1) this device may not cause harmful interference, and (2) this device must accept any interference received, including interference that may cause undesired operation of the device. This equipment has been tested and found to comply with the limits for a Class B Digital Device, pursuant to Part 15 of the FCC Rules. These limits are designed to provide reasonable protection against harmful interference in a residential installation. This equipment generates, uses, and can radiate radio frequency energy and, if not installed and used in accordance with the instructions, may cause harmful interference to radio communications. However, there is no guarantee that interference will not occur in a particular installation. If this equipment does cause harmful interference to radio or television reception, which can be determined by turning the equipment OFF and ON, the user is encouraged to try to correct the interference by one or more of the following measures:

- Reorient or relocate the receiving antenna.
- Increase the separation between the equipment and receiver.
- Connect the equipment into an outlet on a circuit different from that to which the receiver is connected.
- Consult the dealer or an experienced radio/TV technician for help.

INDUSTRY CANADA COMPLIANCE STATEMENT

This device complies with Industry Canada license-exempt RSS standard(s). Operation is subject to the following two conditions: (1) this device may not cause interference, and (2) this device must accept any interference, including interference that may cause undesired operation of the device.

IMPORTANT! Any changes or modifications not expressly approved by the party responsible for compliance could void the user's authority to operate this equipment. This Class B digital apparatus complies with Canadian ICES-003.

FOR CANADA ONLY

For warranty information and/or product returns, residents of Canada should contact Leviton in writing at **Leviton Manufacturing of Canada Ltd to the attention of the Quality Assurance Department, 165 Hymus Blvd, Pointe-Claire (Quebec), Canada H9R 1E9** or by telephone at **1 800 405-5320**.

LIMITED 5 YEAR WARRANTY AND EXCLUSIONS

Leviton warrants to the original consumer purchaser and not for the benefit of anyone else that this product at the time of its sale by Leviton is free of defects in materials and workmanship under normal and proper use for five years from the purchase date. Leviton's only obligation is to correct such defects by repair or replacement, at its option. **For details visit www.leviton.com or call 1-800-824-3005.** This warranty excludes and there is disclaimed liability for labor for removal of this product or reinstallation. This warranty is void if this product is installed improperly or in an improper environment, overloaded, misused, opened, abused, or altered in any manner, or is not used under normal operating conditions or not in accordance with any labels or instructions. **There are no other or implied warranties of any kind, including merchantability and fitness for a particular purpose,** but if any implied warranty is required by the applicable jurisdiction, the duration of any such implied warranty, including merchantability and fitness for a particular purpose, is limited to five years. **Leviton is not liable for incidental, indirect, special, or consequential damages, including without limitation, damage to, or loss of use of, any equipment, lost sales or profits or delay or failure to perform this warranty obligation.** The remedies provided herein are the exclusive remedies under this warranty, whether based on contract, tort or otherwise.