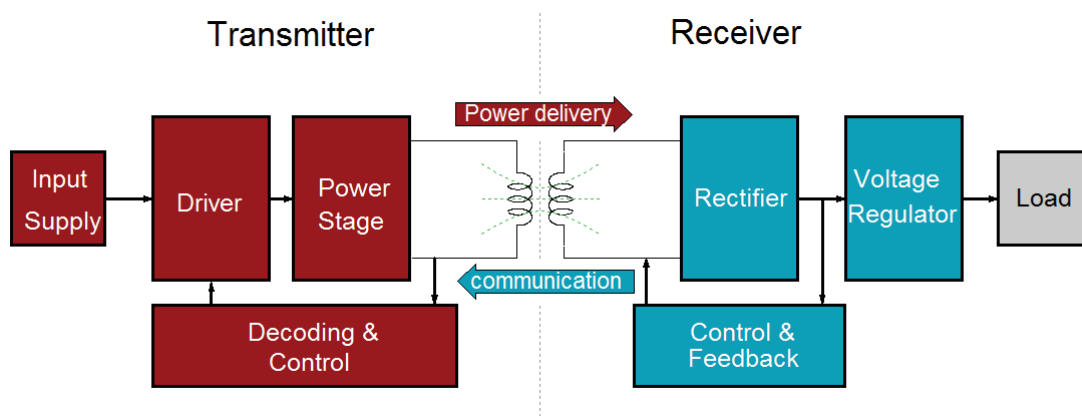


Instruction manual

Connect the power supply, the machine can enter the working state. Chip RB6819 operating frequency 125KHZ. The transmitter drives the transmit coil with AC signal, while monitoring the ac voltage and current signals. The receive coil is placed on the transmit coil. By magnetic induction, AC voltage can be generated in the receiver coil. After this signal is rectified by the rectifier, the DC output voltage can be obtained. By way of voltage regulation ,can be used to drive the application load.

Output power adjustment through the one-way digital control circuit to complete. By means of backscatter that modulates the received AC power signal, the receiver continuously sends back the power demand signal to the transmitter. The power to be supplied to the receiver can be changed after the transmitter demodulates and decodes these power demand signals and adjusts the coil drive signal.

Standard wireless power transmission system



FCC Warning Statement

Changes or modifications not expressly approved by the party responsible for compliance could void the user's authority to operate the equipment. This equipment has been tested and found to comply with the limits for a Class B digital device, pursuant to Part 15 of the FCC Rules. These limits are designed to provide reasonable protection against harmful interference in a residential installation. This equipment generates uses and can radiate radio frequency energy and, if not installed and used in accordance with the instructions, may cause harmful interference to radio communications. However, there is no guarantee that interference will not occur in a particular installation. If this equipment does cause harmful interference to radio or television reception, which can be determined by turning the equipment off and on, the user is encouraged to try to correct the interference by one or more of the following measures:

- - Reorient or relocate the receiving antenna.
- - Increase the separation between the equipment and receiver.
- - Connect the equipment into an outlet on a circuit different from that to which the receiver is connected.
- - Consult the dealer or an experienced radio/TV technician for help.

RF Exposure: A distance of 15 cm shall be maintained between the antenna and users, and the transmitter may not be co-located with any other transmitter or antenna.