



Portable Bluetooth Party Speaker

Item ref: HD-BP01

User Manual

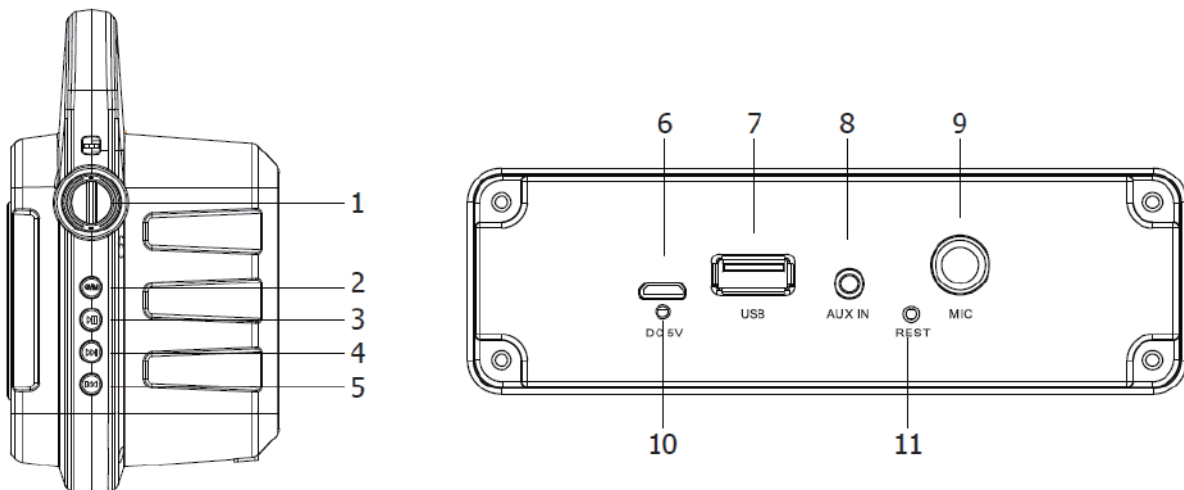
Take the party with you wherever you go, with a portable Bluetooth speaker with colourful LED light show. Perfect for karaoke kings and queens, simply connect the microphone to showcase your talents Play your tunes via Bluetooth from your smart device, use the inbuilt media ports or even FM radio. This speaker is light enough to be carried by shoulder strap and features an internal rechargeable battery with up to 3 hours power from a single charge.

- Stylish and rugged design
- Connect to your smart device via Bluetooth
- Wired microphone included for karaoke
- LED colour light effect in grille
- Media player with inbuilt FM/USB/AUX and Microphone ports
- Internal rechargeable battery with up to 3 hours playback
- Ideal for karaoke, house parties, kids' rooms and more

Technical Specifications and Features

Speaker	6.5" Driver 10W RMS
Frequency range	70Hz-18KHz
Impedance	4.0 Ohms
Bluetooth version	5.0+EDR
Bluetooth range	Up to 10m (in clear line of sight)
FM Frequency range	87.5MHz-108MHz
Battery type	3.7V 2200mA internal rechargeable Lithium Ion
Battery life	Up to 3 hours (max volume)
Charge time	3 Hours from flat
Input connections	Bluetooth, USB, AUX (3.5mm), micro USB (DC 5V/1A - charge only)
Dimensions	300 x 250 x 180 mm (W x H x D)
Weight	1.65kg

Controls Diagram:



Unit Controls and Features:

1. **Volume control:** Rotate to increase or lower the master volume.
2. **Power/mode button (⏻/M):** Long press to power the unit on or off. Short press to switch between modes (Bluetooth/AUX/FM).
3. **Play/pause button (▶⏸):** Long press to turn the LED Light show on or off. Short press in BT/USB mode to play or pause the current track, in FM mode to perform a channel scan.
4. **Next track/station button (▶▶):** Short press to move to the next track in BT/USB mode, or next station in FM mode. Long press with the microphone inserted to increase the echo/reverb effect.
5. **Previous track/station button (◀◀):** Short press to move to the previous track in BT/USB mode, or previous station in FM mode. Long press with the microphone inserted to decrease the echo/reverb effect.
6. **DC in 5V micro USB port:** Use the charging cable supplied and connect to a compatible USB power source for charging or constant power.
7. **USB port:** Multimedia playback via a USB flash drive or other compatible USB device.
8. **AUX in jack:** Use to connect to audio output devices with a compatible 3.5mm lead (not supplied).
9. **Microphone jack:** Connect the wired microphone supplied for voice playback.
10. **LED charging indicator:** Glows red when the unit is connected to a compatible USB power source and in charging mode. Goes out when fully charged.
11. **Reset aperture:** Press using a pin or sharp object to reset the unit when required.

Charging the battery:

- Fully charge the Effect's internal battery before first use. Use the USB cable provided and only connect to a suitable 5V USB power supply.
- During charging, the LED indicator will glow red and go out when the unit is fully charged.

Note: If the Effect is used while connected to a USB power source, the indicator will always glow, even when the unit is fully charged.

Bluetooth Mode:

- Select Bluetooth mode by short pressing the **Power/mode button** repeatedly until you hear the relevant voice prompt.
- The Effect will automatically enter Bluetooth pairing mode and become discoverable from your smart device.
- Enter the Bluetooth device list on your smart device and search for " **HD-BP01** " and select to pair.
- Your device may ask you for a pairing confirmation or code, enter " **0000** " if prompted. When successful, a pairing tone can be heard.
- Once paired, the Effect will automatically reconnect to your device when both are in Bluetooth mode and within 10m of each other.
- You can now also use the unit's **Play/pause**, **Previous track/station** or **Next track/station** buttons to control the music on your connected smart device.

USB mode:

- The Effect is fitted with a media player which can play compatible music files from the USB port on the back of the unit.
- Simply insert your USB media and the unit will automatically enter USB mode and a voice prompt can be heard. Alternatively, you can select the USB mode by short pressing the **Power/mode button** repeatedly until you hear the relevant voice prompt.
- You can now play or scroll through the tracks using the **Play/pause**, **Previous track/station** or **Next track/station** buttons on the front of the unit.
- The Effect also has a memory function which means it will continue from the last played track on the last album played, on the last occasion it was inserted.

FM mode:

- Select FM mode by short pressing the **Power/mode button** repeatedly until you hear the relevant voice prompt.
- To perform a channel scan, short press the **Play/pause button**. The Effect will now scan through the FM frequency, automatically saving any stations with a strong enough signal.
- Once the scan has finished, you can scroll back and forward through the saved channels using the **Previous track/station** or **Next track/station** buttons accordingly.

Note: If you are experiencing interference or poor signal quality on certain stations, it may be necessary to move the unit nearer to a window or doorway.

AUX in mode:

- The Effect can also be connected to any audio device with either a single headphone 3.5mm jack or twin RCA stereo output using the appropriate connection lead (not provided).
- Simply connect the device correctly to the AUX in port on the back of the unit and enter the AUX mode by short pressing the **Power/mode button** repeatedly until you hear the relevant voice prompt.
- Music from the connected device can now be played through the Effect's speaker.

Note: Ensure you have the volume on the connected device turned up to an audible level. The track control buttons on the Effect won't be able to control the music on the connected device when using the AUX connection.

Using the microphone:

- Connect the microphone supplied to the back of the unit as described above and switch it on.
- You can now sing along to your favourite music tracks whilst playing them through Bluetooth, USB, AUX in and FM modes.
- To adjust the microphone's echo/reverb effect up and down, long press the **Previous track/station** or **Next track/station** buttons accordingly.

Note: The microphone's volume can only be controlled by the unit's master volume and has no independent volume control.

LED light show:

- The Effect has an inbuilt disco style LED light show housed within its front grille design. This will be automatically enabled when the unit is switched on.
- To disable the light show at any time, long press the Play/pause button.

In the box:

- Effect party speaker
- Wired microphone
- Microphone lead (3m)
- USB charging cable (0.5m)
- Shoulder strap (1.2m)
- User guide

FAQ

Q) Why is there no sound? **A)** Check that the volume level isn't turned down or off, or alternatively try tuning to another FM station. If you are connected to another device, ensure the volume level of the device is audible and that the device has been connected correctly.

Q) Why won't the Effect switch on? **A)** Check that the battery is charged. If not, connect the unit to a suitable power supply using the USB cable supplied.

Q) Why can't I connect via Bluetooth to my smart device? **A)** Ensure your device has Bluetooth mode switched on and is discoverable. Also ensure your device is within 10m range of the unit.

Q) Why can't I play the music from my USB flash drive? **A)** Ensure the flash drive is inserted correctly and that the music is in either MP3 or WAV format. The maximum size of storage the Effect can handle is 64GB and also ensure that the media is formatted in FAT32.

Q) Why can't I hear any microphone response? **A)** Ensure the microphone is connected correctly and switched on.

Warnings

- For reasons of electrical safety, this device must never be immersed in water, exposed to damp or humid conditions or subjected to excessive forces.
- Do not use this device if you find that it is damaged in any way.
- Only use the USB power supply as recommended by the manufacturer.
- Clean only with a soft, dry cloth.
- When not in use for long periods, disconnect the power supply from the USB power source.
- Do not attempt to repair this device or take apart under any circumstances, as this will invalidate your warranty.



This product is classed as Electrical or Electronic equipment and should not be disposed with other household or commercial waste at the end of its useful life. The goods must be disposed of according to your local council guidelines.

FCC Caution:

This device complies with part 15 of the FCC Rules. Operation is subject to the following two conditions: (1) This device may not cause harmful interference, and (2) this device must accept any interference received, including interference that may cause undesired operation.

Any Changes or modifications not expressly approved by the party responsible for compliance could void the user's authority to operate the equipment.

Note: This equipment has been tested and found to comply with the limits for a Class B digital device, pursuant to part 15 of the FCC Rules. These limits are designed to provide reasonable protection against harmful interference in a residential installation. This equipment generates uses and can radiate radio frequency energy and, if not installed and used in accordance with the instructions, may cause harmful interference to radio communications. However, there is no guarantee that interference will not occur in a particular installation. If this equipment does cause harmful interference to radio or television reception, which can be determined by turning the equipment off and on, the user is encouraged to try to correct the interference by one or more of the following measures:

- Reorient or relocate the receiving antenna.
- Increase the separation between the equipment and receiver.
- Connect the equipment into an outlet on a circuit different from that to which the receiver is connected.
- Consult the dealer or an experienced radio/TV technician for help.

The device has been evaluated to meet general RF exposure requirement. The device can be used in portable exposure condition without restriction.