



5.1CH SOUNDBAR WITH DOLBY

Model: Rainevery 5.1

Email: Support@RainEvery.com

SAFETY & WARNINGS

Caution

To reduce the risk of electric shock, do not dismantle the product and do not expose the apparatus to rain or moisture. No user-serviceable parts inside.

- Read the safety, installation, and operating instructions in this user guide before operating the product.
- Power and speaker wires should be routed so that they are not likely to be walked on, kicked, or pressed by items placed on or against them. Pay special attention to cords from plugs, power receptacles and the point where they exit from the product.
- The product should be situated away from heat sources such as radiators, stoves, or other products, including amplifiers that produce heat. Naked flames such as lighted candles, should not be placed on this product.
- To reduce the risk of fire or electric shock, do not expose the product to dripping, splashing or excessive moisture such as in a sauna or bathroom. Do not use this product near water, for example, near a bathtub, washbowl, kitchen sink, laundry tub, in a wet basement or near a swimming pool (or similar).
- Never insert objects into this product through openings, as they may touch dangerous voltage points or short-circuit parts that could result in a fire or electric shock.
- Do not use attachments or accessories not included with this product, as they may cause hazards.
- Do not place this product on an unstable cart, stand, tripod, bracket, or table. The product may fall, causing serious injury and serious damage to the product. Any mounting of the product should follow the instructions in this user guide and should use a mounting accessory recommended by Raineverry.com
- Do not attempt to service this product yourself, as opening or removing covers may expose you to potentially dangerous voltage or other hazards. Refer all servicing and repairs to qualified service personnel.
- If objects or liquids fall into the product enclosures, disconnect the power, cease use immediately and contact Support@RainEverry.com for support.

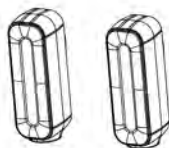
Package Contents



Sound Bar



Wireless Subwoofer



2 x Surround Speakers



Remote Control



Stereo RCA to
3.5mm Audio Cable



1 x Power Cable for
Subwoofer



Power adapter
1 x Power Adapter for Sound bar
(DC24V 2.08A)



Power adapter
2 x Power Adapter for Rear Speaker
(DC24V 1.0A)



Digital Optical
Cable



HDMI ARC Cable
for Soundbar



Mount Screws+
Screw Plugs x 2



Wall Mount Template



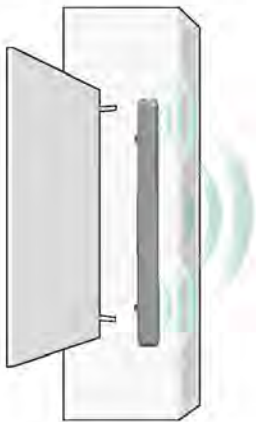
Warranty Card



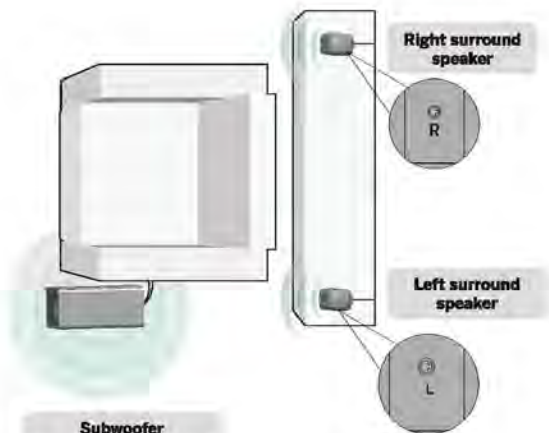
User Manual

Proper Placement

For the best surround sound experience, position the sound bar, subwoofer, and surround sound speakers as shown. The sound bar should be close to ear level.

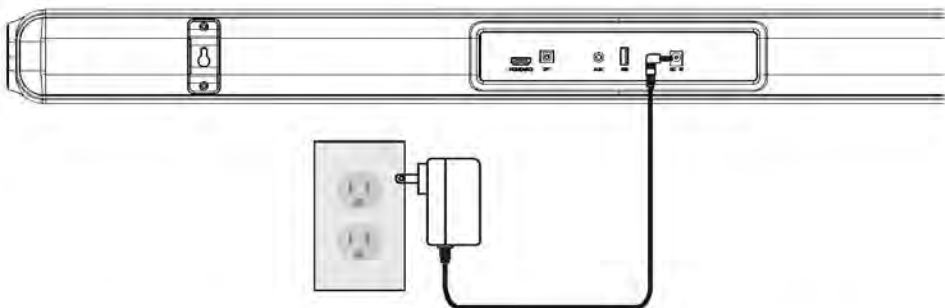


Sound bar should be centered below the TV.
Do not block the top of the sound bar.

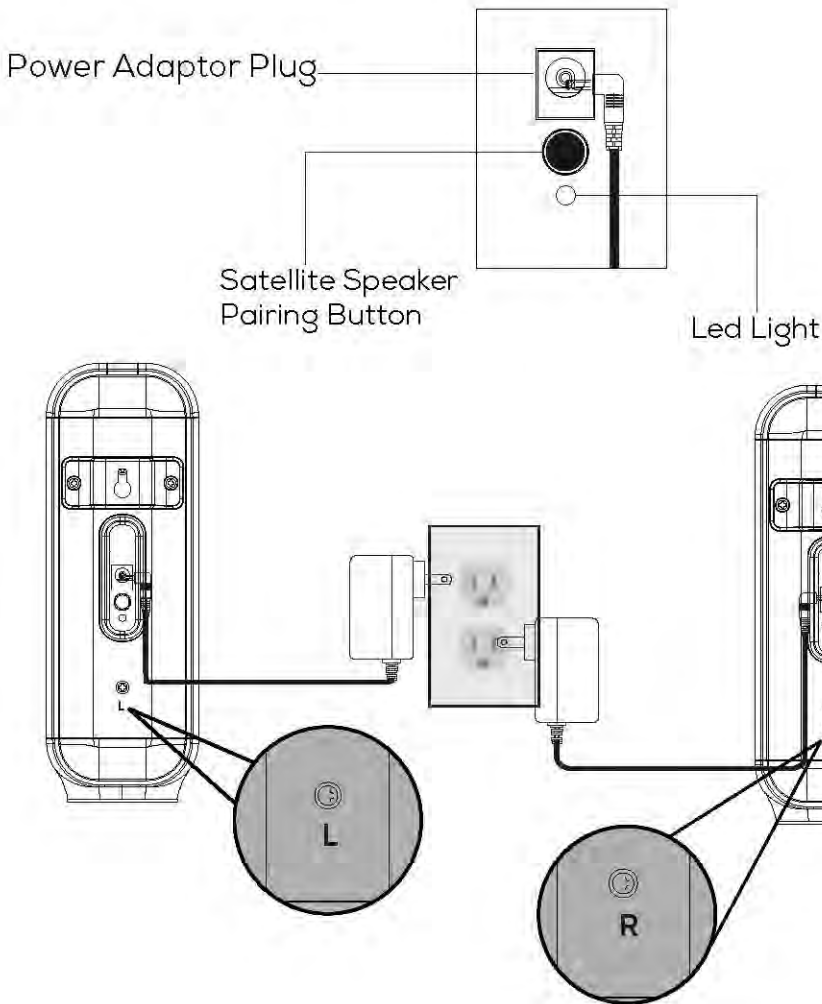


Note: Do not block the subwoofer port.

Back of Sound Bar

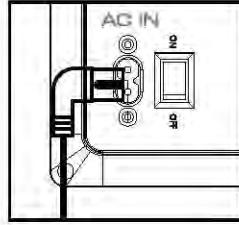
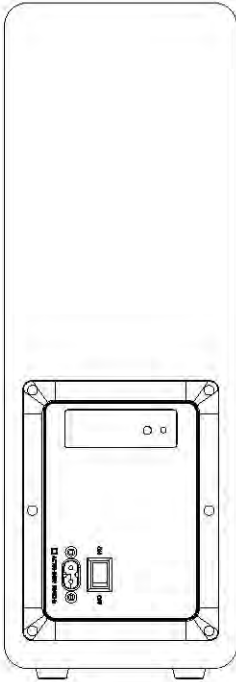


Connect using the power adapter (DC24V 2.08A) to the sound bar DC IN as shown. Plug the power cable into an electrical outlet.

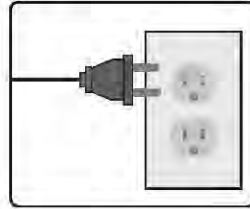


1. Connect the power adapter (DC24V 1.0A) to the rear speakers. L speaker placed on your left-hand side, R speaker on your right-hand side
2. Plug the power adapter into a power outlet.
3. After power on, the rear speakers and the subwoofer will link to the sound bar when plugged in. The red LED on the back will glow with solid red light to confirm.

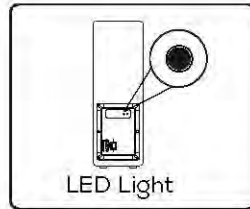
Back of Subwoofer



Connect the power cable to the subwoofer, and flip the Power Switch to ON.



Plug the power cable into a power outlet



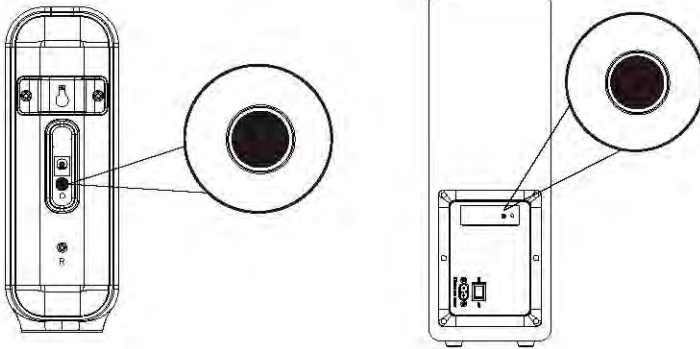
The subwoofer will automatically link to the sound bar after power on. The red LED on the back will glow with solid red light to confirm.

Pairing Method

The soundbar has already been paired by Rainevery. However, the subwoofer and rear speakers may need to be re-linked to the sound bar if no sound is coming from one of the speakers.

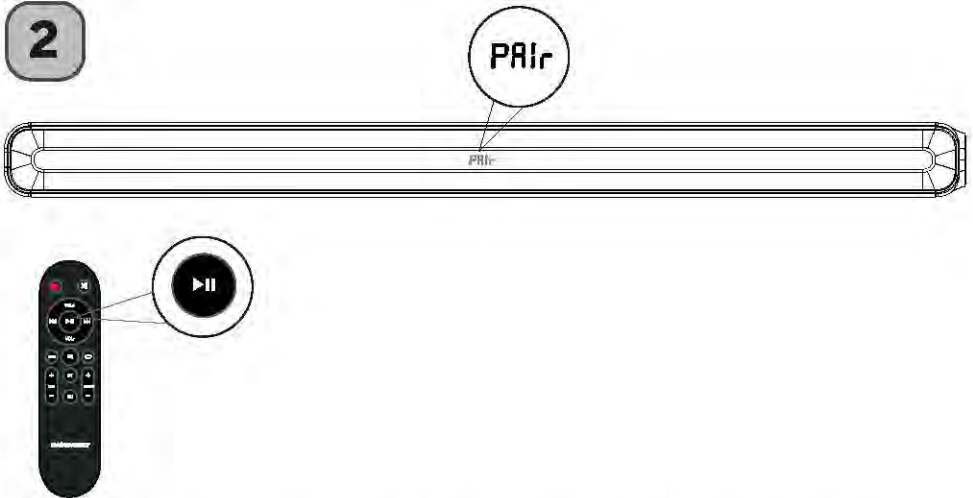
Reminder: if the two rear speakers and subwoofer don't connect to sound bar, the RED LED light on the back of the two rear speakers and subwoofer will flash slowly. Then the pairing operation is as follows:

1



1. Long press the pair button on the back of two speakers and subwoofer for 3 seconds, then the red LED light will flash to enter PAIRING status.

2



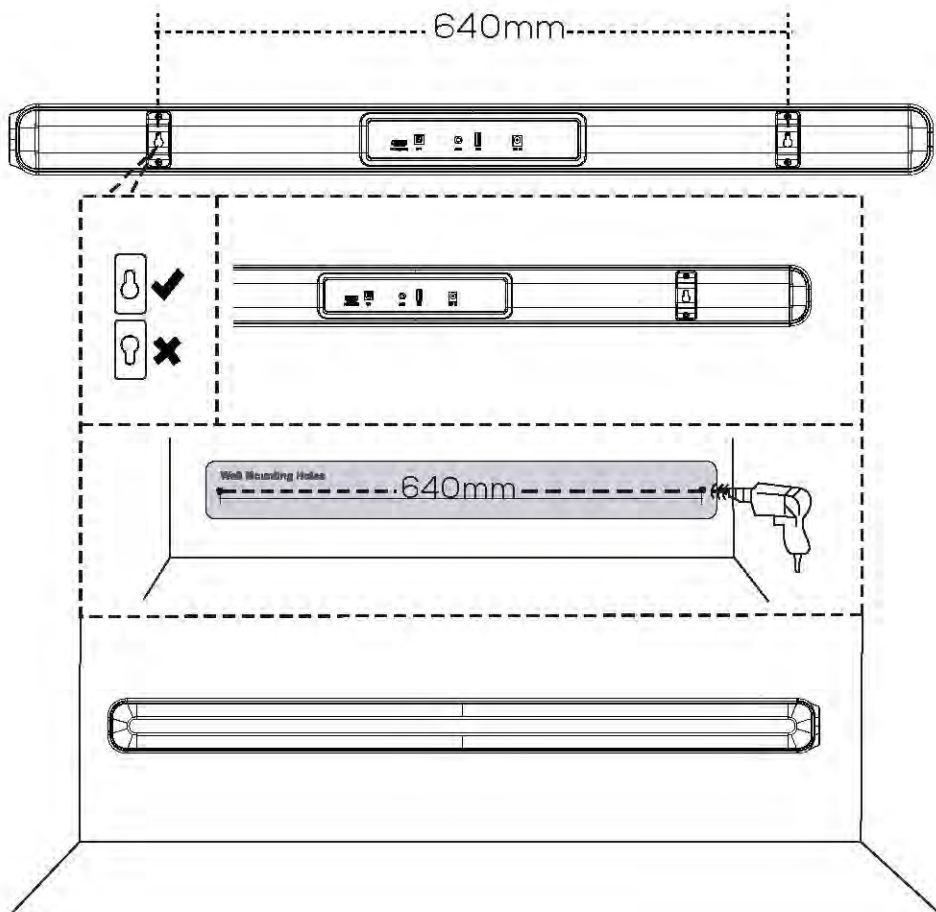
2. Long press the pause/play button on the remote control for 3 seconds, then the soundbar LED display will appear "PAIR" - it means that pairing is successful. The red LED light on the two satellite speakers and subwoofer will become solid red light.

(After successfully connecting all speakers, they will connect automatically every time the unit is switched on for future use. No need to pair every time.)

IMPORTANT: If the pairing time exceeds 20 seconds, the soundbar will automatically exit the pairing status.

Wall mounting the Soundbar

- 1 Tape the included wall mounting template on the wall. Mark the two bracket holes using a pencil.



- 2 Drill two Parallel 640mm holes using the mounting paper, Secure the supplied anchors, and screws into the hole. Please make sure the screws are protruding 5mm in the wall.

*Anchors are only required when mounting onto a solid wall.

Anchor



Solid wall (i.e., solid brick, solid concrete, solid wood)



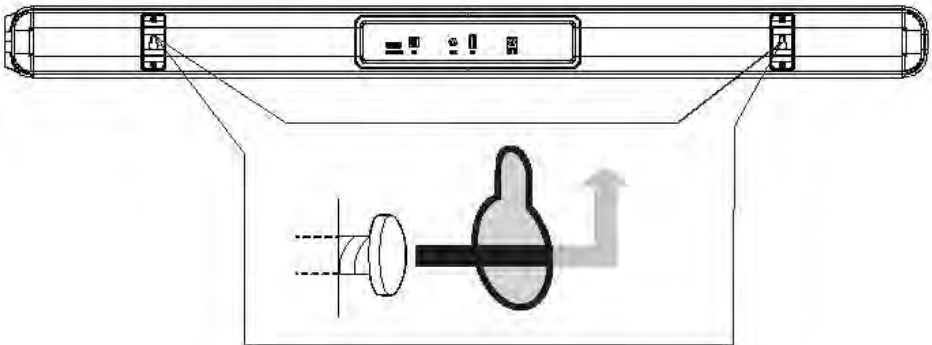
Drywall, plastered wall ect.

3

Hang the sound bar on the fastening screws.

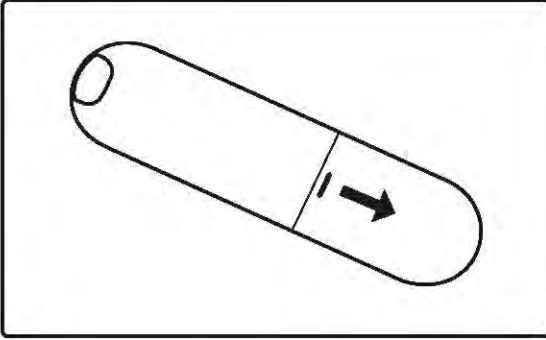
4

Gently push the sound bar down to lock and secure it in place.

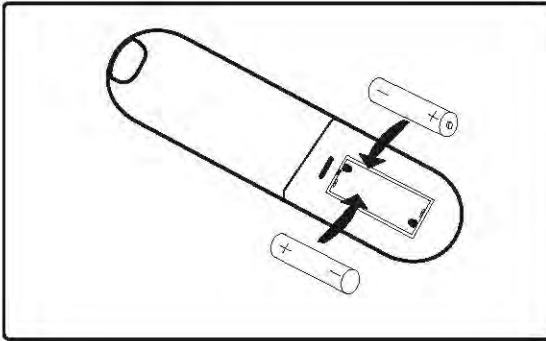


Note: If you need any assistance mounting, please email us at Support@Raineverry.com to provide you with more direct help!

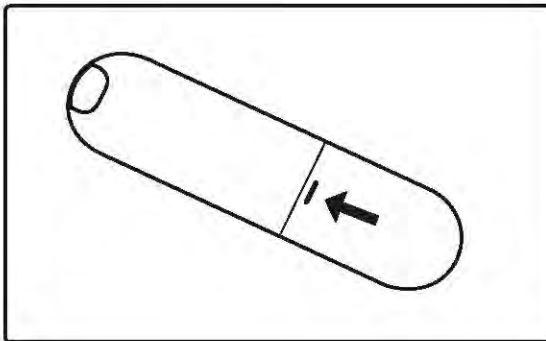
Remote Control Battery Replacement



A. Remove the battery compartment cover.



B. Insert 2 AAA batteries according to the marking inside compartment.



C. Close the compartment.

Remote Control



Button	Function	Button	Function
	Power on/off	EQ	Change equalizer settings
	Mute or Unmute		USB repeat mode
VOL+	Increase volume	TREBLE+	Increase the Treble
VOL-	Decrease volume	TREBLE-	Decrease the Treble
	Previous track	BASS+	Increase the Bass
	Pause/Play	BASS-	Decrease the Bass
	Next track	3D	3D surround sound on/off
BT	Long press to disconnect BT/ reconnect BT	MODE	Change the input source

Input Indicators



Stand-By(OFF)



AUX



HDMI (ARC)



USB



Optical



Wireless(BT)



Music



Movie



News



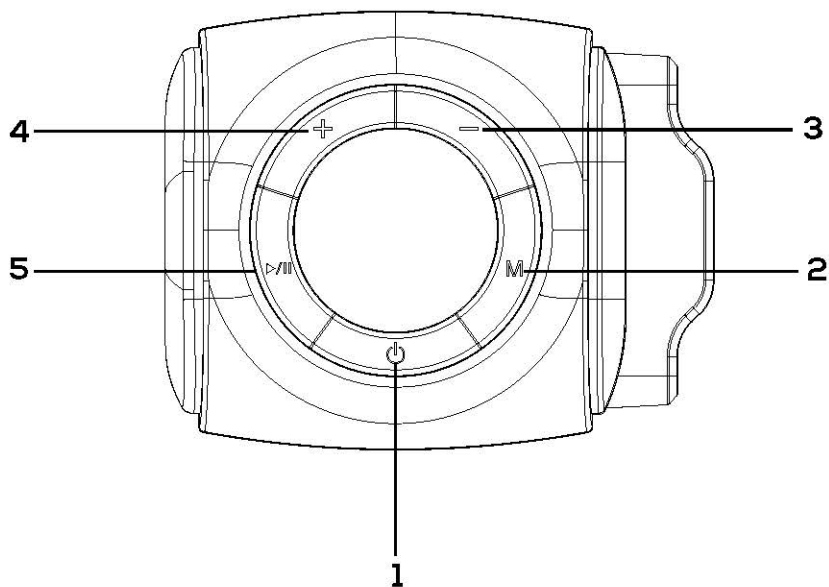
3D open








3D close

Note: The sound bar remains power on at all times. After setting the sound bar to the ideal volume, most of our users do not need to use our remote. The sound will automatically play when TV is on. The display remains off after 5 minutes of use for energy saving.

Sound bar Control Button



- 1  : Short press to turn on/power off
- 2  : Short press to change input to BT/AUX/OPT/ARC
- 3  : Decrease volume
- 4  : Increase volume
- 5  : In BT/USB input mode, short press to play/pause

Operation

Power on/off

Press the Power on/off button on the remote control or soundbar control panel to turn the unit on or switch it off.

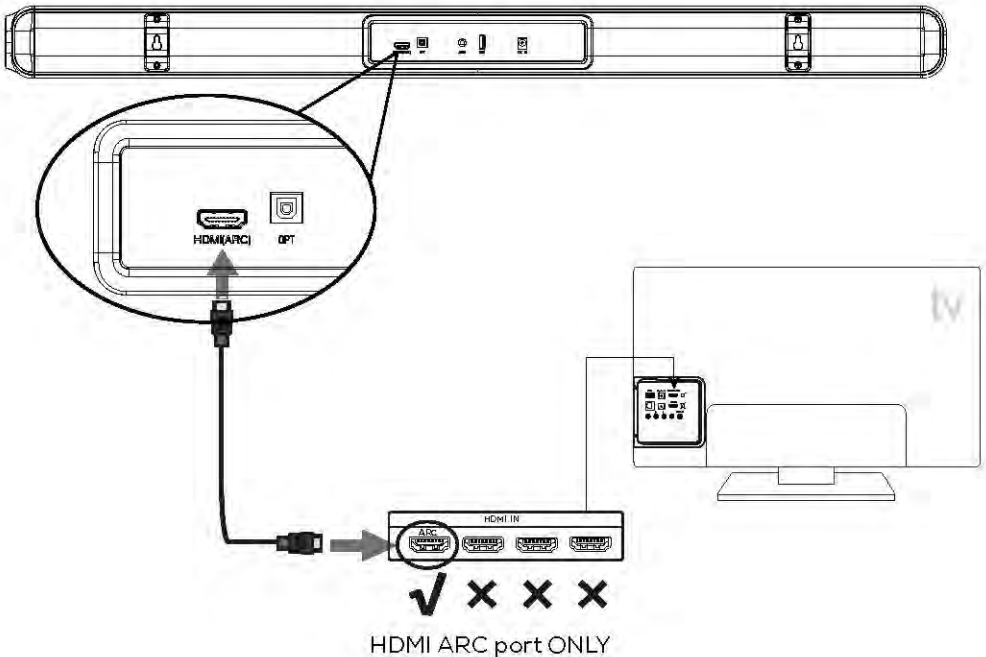
HDMI (ARC)

Connect to an ARC-compatible TV to the ARC port on the soundbar using the included HDMI cable.

Change the sound bar input to ARC by pressing the MODE button on the remote or the soundbar side until ARC is shown on the soundbar LED display.

*Set the TV Sound/Audio Output as HDMI (ARC)

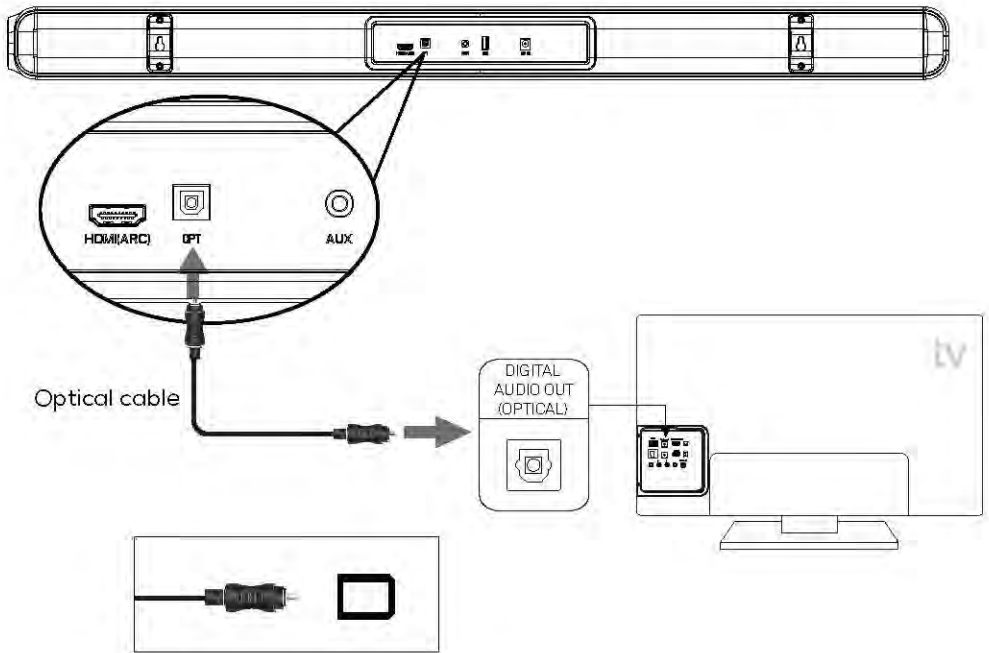
IMPORTANT: Please make sure your TV is HDMI-ARC compliant before use.



Digital Audio Out (Optical)

Connect to a TV with Digital Audio Out (Optical) port using the included optical cable. Change the sound bar input to OPT by pressing the MODE button on the remote or the soundbar side until OPT is shown on the soundbar LED display.

NOTE: Please remember to change audio input to Audio Out/ External Speaker.



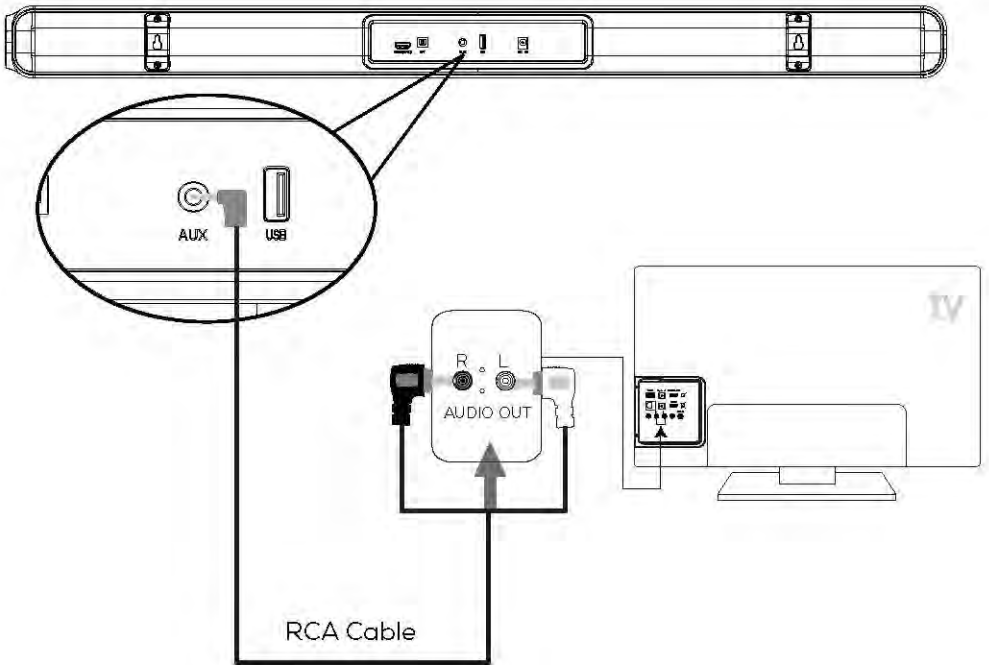
*Take the caps from optical cable before plug in

AUX/ Audio Out

Connect to a TV with an AUDIO OUT port using the included RCA to AUX cable. Change the sound bar input to AUX by pressing the MODE button on the remote or the soundbar side until AUX is shown on the soundbar LED display.

***NOTE:** Please remember to change audio input to Audio Out/ External Speaker.

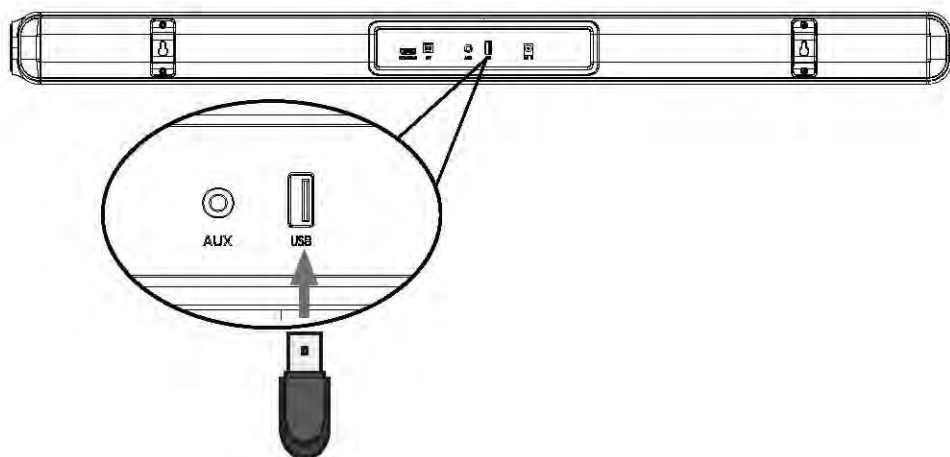
* Please make sure you connect to the AUDIO OUT port on your TV. Some TV only has AUDIO IN only. It will NOT work with external speakers.



USB mode-FLASH DRIVE ONLY

The soundbar is compatible with USB flash drives up to 64GB in size and can play MP3 and WAV audio files directly. Simply insert a compatible drive into the USB port on the back of the soundbar and the soundbar will automatically switch to USB mode and play the first compatible track. The media controls on the remote control can be used to play, pause and navigate between tracks on the flash drive and the LED display will indicate the current track time.

USB repeat mode (also accessed via the remote control) enables single track repeat (ONE), all track repeat (ALL). The media player also has a memory function that will recall and continue from the last-played point when a USB flash drive that has previously been used with the soundbar is reinserted.



Bluetooth

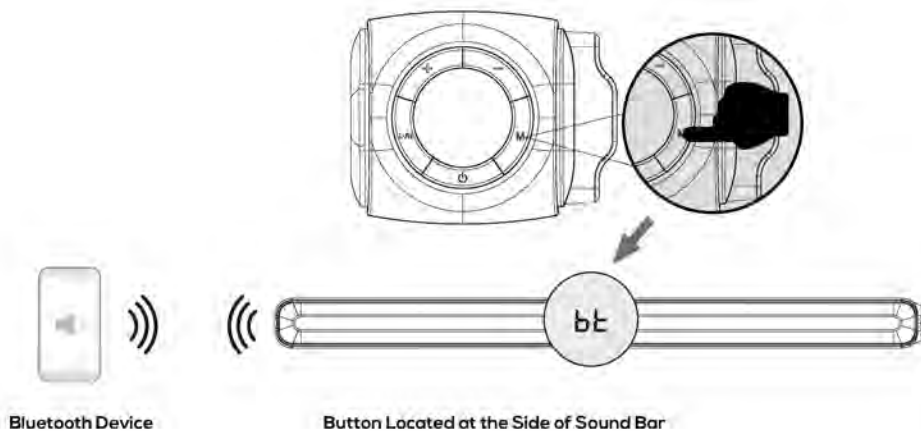
1. Use either the buttons on the Soundbar or the "BT" button on the remote to activate BT mode. Press the BT button for 3 seconds on the remote to manually enter pairing mode or pair to a new device. The Flashing BT LED indicator will indicate that you are in Bluetooth mode.

2. Go to the Bluetooth function on your phone or other device and select "**Rainevery 5.1**"

3. You will hear a tone when successfully paired, and the BT will stop flashing.

Notes:

- If your Bluetooth device is switched off or manually disconnected, the sound bar will automatically enter pairing mode.
- The disconnected device will be re-connected once you re-enter the wireless range (50 ft).



Troubleshooting

Q) No sound comes out after connecting to the TV using ARC/Optical (Common):

- Please make sure your TV support ARC output. The ARC port is labeled differently than the regular HDMI port. Then go to Setting in your TV Setting (may vary due to different brands):

1)Setting > Sound > Select Speaker to: external speaker (optical mode)/ turn off TV Speaker

2)ARC: Setting > Sound(audio) > Sound output > Receiver (HDMI)
Optical: Speaker Settings> Speaker Select > Audio Out.

- Please select the correct input mode on the soundbar shown on the LED display.

Q) Why won't my Bluetooth device connect to the sound bar?

- You have not enabled the Bluetooth feature on your device or the sound bar.
- The sound bar is connected to another Bluetooth device if the LED display is not flashing. Disconnect the connected device and try again.
- Long Press the "BT" button on the sound bar and restart the sound bar.

Q) Why am I hearing buzzing or humming?

- Ensure all cables and wires are securely connected.
- Connect a different source device (TV, Blu-ray player, etc.) to see if the buzzing persists. If it does not, the problem may be with the original device.
- Connect your device to a different input on the sound bar.

Q) Is this compatible with Fire TV/ Firestick?

Yes, Plug the Fire TV into the TV. And connect the TV using any input mode. If using Optical or ARC, please follow our manual Setting.

Troubleshooting

Q) One of the speakers does not have sound.

Please make sure all the speakers are connected and have a solid red light on the back of the speaker. If not, please try to reconnect the speaker by following the reset in this manual.

Q) Remote not working.

- 1: Double-check if the batteries are installed correctly in the battery slot.
- 2: Replace two brand new AAA batteries.
- 3: Point the remote to the center of the sound bar (IR is built in the middle of the LED.)

If the issue still exists after you did the above steps, please send an email to us: at Support@Rainevery.com with your Amazon order ID, and we will provide you with a free replacement.

Q) Why is the soundbar display blinking/flashing?

The soundbar display flashes when you are in mute (Except Bluetooth mode). Please press the mute button again to unmute.

Q) Why is the battery not included?

The battery is not included due to Amazon Safety Regulation. We apologize for the inconvenience.

Q) How do you mount it on the wall?

Mounting our sound bar on the wall is very simple. Please find the mounting screw kit within our package. And measure and screw them on the wall using the measuring paper we included. Finally, attach the back of the sound bar to the mounted screw.

If you need any further assistance, please email us at Support@Rainevery.com to provide you with more direct help!

Technical Specifications

Peak Power:	400W
Sound Bar Size:	940 x 75 x 80 mm / 37.0 x 2.9 x 3.1 in
Subwoofer Size:	305 x 145 x 425 mm / 12.0 x 5.7 x 16.7 in
Rear Speaker Size:	170*75*80mm/ 6.7 x 2.9 x 3.1 in
Connections:	ARC, OPTICAL, AUX, USB,BT
Bluetooth Version:	5.0+EDR
Bluetooth Range:	50 ft (Straight line)
Sound Pressure Level:	96dB
Frequency Response:	50Hz-20KHz
Voltage :	100-240V, 50/60Hz
Compliance:	FCC Class B

IMPORTANT: If you need any assistance, don't hesitate to contact us:
Support@Rainevery.com Here at Rainevery,
we truly value customer satisfaction!

FCC WARNING

This device complies with part 15 of the FCC Rules. Operation is subject to the following two conditions: (1) this device may not cause harmful interference, and (2) this device must accept any interference received, including interference that may cause undesired operation.

Any changes or modifications not expressly approved by the party responsible for compliance could void the user's authority to operate the equipment.

NOTE: This equipment has been tested and found to comply with the limits for a Class B digital device, pursuant to Part 15 of the FCC Rules. These limits are designed to provide reasonable protection against harmful interference in a residential installation. This equipment generates, uses and can radiate radio frequency energy and, if not installed and used in accordance with the instructions, may cause harmful interference to radio communications.

However, there is no guarantee that interference will not occur in a particular installation.

If this equipment does cause harmful interference to radio or television reception, which can be determined by turning the equipment off and on, the user is encouraged to try to correct the interference by one or more of the following measures:

- Reorient or relocate the receiving antenna.
- Increase the separation between the equipment and receiver.
- Connect the equipment into an outlet on a circuit different from that to which the receiver is connected.
- Consult the dealer or an experienced radio/TV technician for help.

To maintain compliance with FCC's RF Exposure guidelines, This equipment should be installed and operated with minimum distance between 20cm the radiator your body: Use only the supplied antenna.