

# HOME AUDIO SOUND BAR

MODEL NO.: HD-016L



**INSTRUCTION MANUAL**

**[www.hdtcsz.com](http://www.hdtcsz.com)**

Read this instruction manual carefully before use and  
keep it for future reference.

# Important Safety Instruction

Thank you for purchasing the VMAI Soundbar. Please read this user manual carefully and keep it for future reference. If you need any assistance, please contact our support team: [www.hdtcsz.com](http://www.hdtcsz.com) with your product model number and Amazon order number.

## Warning



## Caution:

To reduce the risk of electric shock, do not dismantle the product and do not expose the apparatus to rain or moisture. No user-serviceable parts inside. Refer servicing to qualified personnel only



The lightning flash within an equilateral triangle is intended to alert you to the presence of uninsulated dangerous voltage within the product's enclosure that may be of sufficient magnitude to constitute an electric shock to a person or persons.



Important! This symbol alerts you to read and observe important warnings and instructions on the unit or in this manual.

## Notice:

This appliance is not intended for use by person (including children) with reduced physical sensory or mental capabilities, or lack of experience and knowledge, unless they have been given supervision or instruction concerning use of the appliance by a person responsible for their safety. Children should be supervised to ensure that they do not play with the appliance.

1. To prevent possible hearing damage, do not listen at high volume levels for long time periods or a sudden high volume level.



2. Never use the device unsupervised! Switch off the device whenever you are not using it, even if this only for a short while.

3. The appliance is not intended to be operated by means of an external timer or separate remote control system.

4. If the supply cord is damaged, it must be replaced by the manufacturer, its service agent or similarly qualified person in order to avoid a hazard.

5. Before operating this system, check the voltage of this system to see if it is identical to the voltage of your local power supply.

6. The unit should not be impeded by covering the ventilation opening with items such as newspaper, table-cloths, curtains etc. Make sure that there are at least 20 cm of space above and at least 5 cm of space on each side of the unit.
7. The apparatus must not be exposed to dripping or splashing and that objects filled with liquids, such as vases, must not be placed on the apparatus.
8. To prevent fire or shock hazard, do not expose this equipment to direct heat, rain, moisture or dust.
9. Do not locate this unit near any water sources e.g. taps, bathtubs, washing machines or swimming pools. Ensure that you place the unit on a dry, stable surface.
10. Do not place this unit close to a strong magnetic field.
11. Do not place the unit on a amplifier or receiver.
12. Do not place this unit in a damp area as the moisture will affect the life of electric components.
13. Do not attempt to clean the unit with chemical solvents as this might damage the finish. Wipe with a clean, dry or slightly damp cloth.
14. When removing the power plug from the wall outlet, always pull directly on the plug, never pull on the cord.
15. Depending on the electromagnetic waves used by a television broadcast, if a TV is turned on near this unit while it is also on, lines might appear on the TV screen. Neither this unit nor the TV is malfunctioning. If you see such lines, keep this unit well away from the TV set.
16. The mains plug is used to disconnect the device, the disconnected device should remain readily operable.

## **Important Safety Instructions**

1. Read these instructions. Keep these instructions. Follow all instructions. Heed all warnings.
2. Do not use this apparatus near water.
3. Clean only with dry cloth.
4. Do not block any ventilation openings. Install in accordance with the manufacturer's instructions.
5. Do not install near any heat sources such as radiators, heaters, stoves, or other apparatus (including amplifiers) that produce heat.
6. Do not defeat the safety purpose of the polarized or grounding-type plug. A polarized plug has two blades with one wider than the other.
7. Protect the power cord from being walked on or pinched particularly at plugs, convenience receptacles or at the point where they exit from the apparatus.
8. Only use attachments/accessories specified by the manufacturer.
9. Unplug this apparatus during lightning storms or when unused for long periods of time.

10. Refer all servicing to qualified service personal. Servicing is required when the apparatus has been damage in any way, for example, when the power-supply cord or plug is damaged, liquid has been spilled or objects have fallen into the apparatus, the apparatus has been exposed to rain or moisture, does not operate normally, or has been dropped.

11. The AC plug is used to disconnect the device, the disconnected device should remain readily operable. In order to disconnect the apparatus from the AC power completely, the AC plug must be removed from the AC outlet completely.

## **Preparation for Use**

### **Unpacking and Set Up**

- Remove the Sound bar from the carton and remove all packing material from the Sound bar. Save the packing material, if possible, in case the Sound bar ever needs to be serviced or transported. The original carton and packing material is the only safe way to pack your Sound bar to protect it from damage in transit.
- Remove any descriptive labels or stickers on the front or top of the cabinet. Do not remove any labels or stickers from the back or bottom of the cabinet.
- Place your Sound bar on a level surface such as a table, desk or shelf, convenient to an AC outlet, out of direct sunlight, and away from sources of excess heat, dirt, dust, moisture, humidity, or vibration.
- Unwind the Line cord connecting the AC adapter and extend it to its full length.

### **Protect Your Furniture**

This model is equipped with non-skid rubber 'feet' to prevent the product from moving when you operate the controls. These 'feet' are made from non-migrating rubber material specially formulated to avoid leaving any marks or stains on your furniture. However certain types of oil based furniture polishes, wood preservatives, or cleaning sprays may cause the rubber 'feet' to soften, and leave marks or a rubber residue on the furniture. To prevent any damage to your furniture we strongly recommend that you purchase small self-adhesive felt pads, available at hardware stores and home improvement center everywhere, and apply these pads to the bottom of the rubber 'feet' before you place the unit.

### **Power Source**

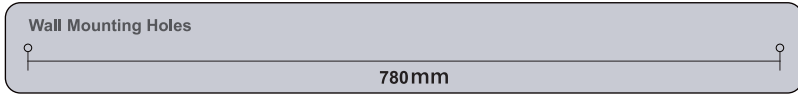
This sound bar is designed to operate on normal AC power source. For North America, it works only under SMPS 110V-240V~50hz/60Hz. Do not attempt to operate the Sound bar on any other power source. You could cause damage to the Sound bar that is not covered by your warranty.

## Important Notes

- This sound bar was especially developed for LED/LCD/Plasma TV's: It should not be used in combination with CRTTV's (Cathode Ray Tube TV's) in order to avoid image interference.
- Safety and operating instruction manual should be retained for future reference.
- The apparatus should not be exposed to dripping, splashing or placed in a humid atmosphere such as a bathroom.
- Do not install the product in the following areas:
  - Places exposed to direct sunlight or close to radiators.
  - On top of other stereo equipment that radiate too much heat -Blocking ventilation or in a dusty area.
  - Areas where there is constant vibration.
  - Humid or moist places.
  - Near candles or other flames.
- Operate the product only as instructed in this manual.
- Before turning on the power for the first time, make sure the sound bar is plugged to power outlet.
- For safety reasons, do not remove any covers or attempt to gain access to the inside of the product. Refer any servicing to qualified personnel.
- Do not attempt to remove any screws, or open the casing of the unit; there are no user serviceable parts inside. Refer all servicing to qualified service personnel.

# Wall Mounting

- 1 Measure 30.71 in(780 mm) and drill 2 parallel hole (1/4 in each) in the wall.



- 2 Firmly apply a dowel into each hole in the wall. (dowel only required for solid wall)

Dowel

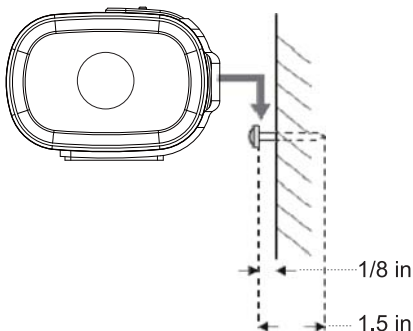


Solid wall(i.e., Solid brick,Solid concrete, solid wood)



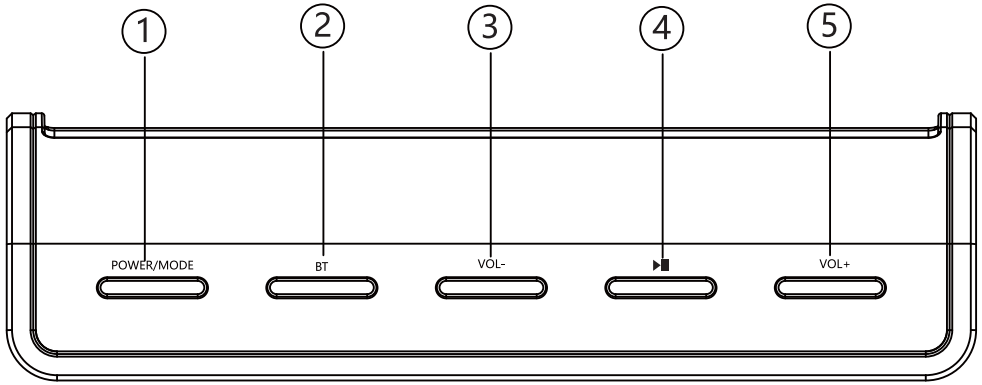
Drywall, Plaster wall, Lath wall, etc.

- 3 Attach the sound bar to the screws in the wall.



Professional installation and tools are recommended.

# Sound Bar Control Button



- ① **Power Button:** Short press to turn on/long press to power off. During power off, red indicator light will light up. When the speaker is turned on, RED indicator light will turn off. Short press power button to switch input mode from BT/AUX/ARC/Optical.
- ② **Bluetooth Button:** In Bluetooth mode, after your device is paired successfully. Long press the BT button to disconnect, and the LED display will start flashing until paired to another device.

### Connect:

- 1. Plug in the power cord and the display will light up (stand by mode).
- 2. Switch on the soundbar using power button and change the input mode to BT.
- 3. Search for new device on your Bluetooth player. (smartphone, tablet, computer).

Choose the device named HD-016L in the list of new devices detected and select it. If a password is asked, just type 0000. The "BT" display will stop flashing when the sound bar is paired successfully. You don't need to make this pairing procedure again the next time you connect the same device to the sound bar, it will be re-connected automatically when it is close to the sound bar with BT input mode activated. In other input mode, short press the BT button. The sound bar will enter Bluetooth mode, and pair to the previous device automatically.

- ③ **Lower Volume Button:** Short press to reduce volume gradually, long press to reduce volume continuously.

- ④ Play/Pause Button:** In BT/USB mode, short press the button to play/pause the current song.  
In AUX/ OPTICAL/HDMI(ARC) mode, short press the button to mute the sound bar. The LED display will flash when muted. Press again to unmute.
- ⑤ Increase Volume Button:** Short press to increase volume gradually, long press to increase volume continuously.

## Input Option



**1. DC power input port:** Use power adaptor to connect DC 19V 2.5A input port.

### 2. AUX Mode:

- (1). After Turn on the soundbar, change to AUX input mode.
- (2). plug in the 3.5mm AUX cable to the AUX IN connector on the soundbar and start playing from the music device

### 3. HDMI(ARC) Mode:

- (1). Using the HDMI cable connect to the tv. (not included)
- (2). Using a High-Speed HDMI (1.4 or 2.0) cable, connect the HDMI TV(ARC) connector on the sound bar to the HDMI ARC connector on the TV. (HDMI ARC port on TV may be labelled differently. For details, see the TV user manual.)
- (3). On your TV, select source as HDMI(ARC) mode. For details, see the TV user manual.
- (4). Go to Setting in your TV menu (may vary due to different brand):
  - I ) Setting > Sound > Select Speaker to: external speaker (ARC Mode)/ turn off TV Speaker
  - II ) Setting > Sound(audio) > advanced Audio > digital audio output > PCM Setting > Sound(audio) > audio output format > PCM/ Dolby off

### 4. Optical Mode:

- (1). Using the provided optical cable connect to the tv.
- (2). Select optical mode using the remote by pressing the INPUT button, and the sound bar indicator will show OP.
- (3). Go to Setting in your TV menu (may vary due to different brand):
  - I ) Setting > Sound > Select Speaker to: external speaker (optical mode)/ turn off TV Speaker
  - II ) Setting > Sound(audio) > advanced Audio > digital audio output > PCM Setting > Sound(audio) > audio output format > PCM/ Dolby off



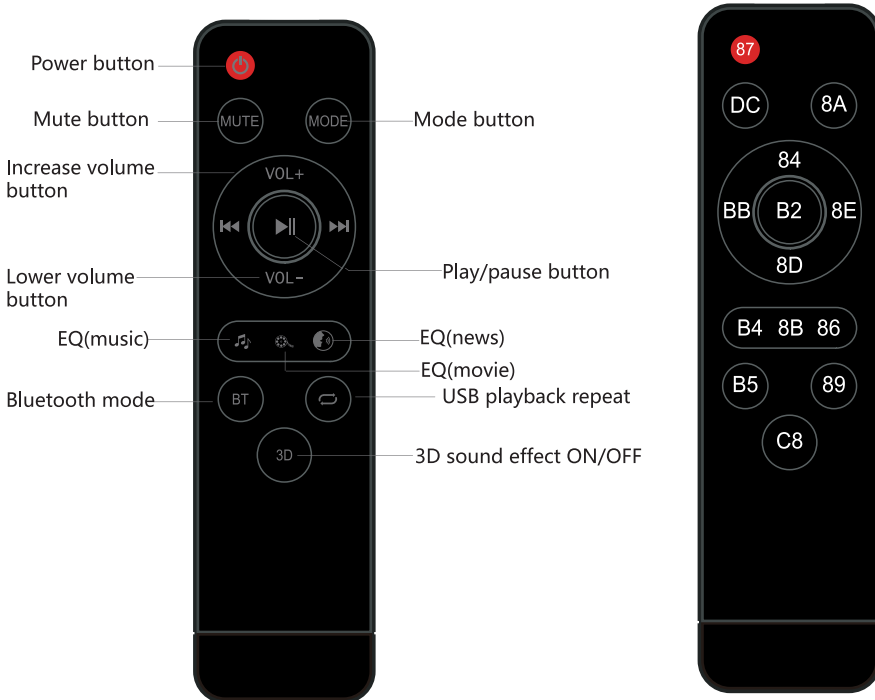
## 5. USB Mode:

(1).Turn the sound bar on, and plug in the USB drive

(2).The LED display shows “USB”. Music from the USB drive will play automatically, and you can use the remote controller to control.

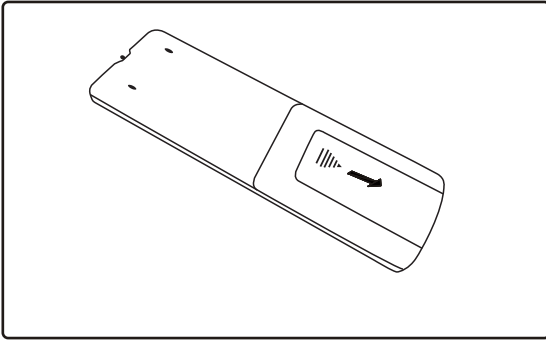
\* Compatible with the maximum 32GB flash drive, support playing MP3/WAV/APE/FLAC format audio files.

## Using The Remote Control

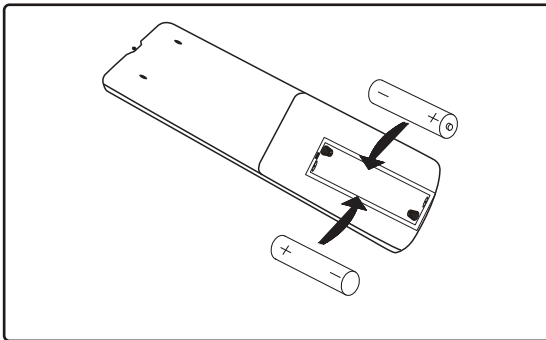


\*For the best controlling experience, we still highly recommend you stay with our included remote.

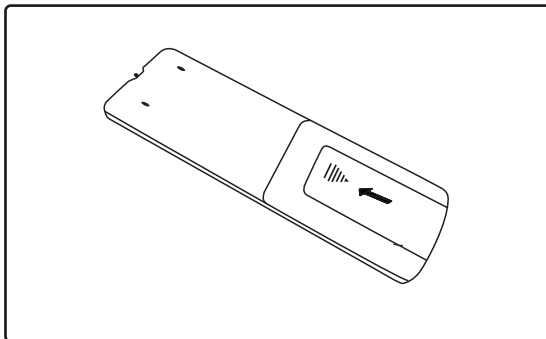
## Remote Control Battery Replacement



A. Remove the battery compartment cover.



B. Insert 2 AAA batteries according to the marking inside compartment.



C. Close the compartment.

## **Trouble shooting:**

### **Q) No sound comes out after connect to TV using ARC/ Optical (Common):**

- Please make sure your TV support ARC output. Then go to Setting in your TV setting (may vary due to different brand):

1)Setting > Sound > Select Speaker to: external speaker (optical mode)/ turn off TV Speaker

2)Setting > Sound(audio) > advanced Audio > digital audio output > PCM Setting > Sound(audio) > audio output format > PCM/ Dolby off

- Please select the correct input mode.

### **Q) Why won't my Bluetooth device connect to the sound bar?**

- You have not enabled the Bluetooth feature on your device or the sound bar.

- The sound bar is connected to another Bluetooth device if LED display not flashing. Disconnect the connected device and try again.

- Long Press the "BT" button on the sound bar, and restart the sound bar.

### **Q) Can I use a universal remote?**

Yes, please make sure to follow your universal remote step to set up. We have provided our remote code on previous pages. But we HIGHLY recommend you use our included remote for the best compatibility.

### **Q) Is this compatible with Fire TV/ Firestick?**

Yes, Plug the Fire TV to the TV. And connect the TV using any input mode. If using Optical or ARC. Please make sure you follow our manual setting.

### **Q) Remote not working.**

1: Double check if the batteries are correctly installed in the battery slot.

2: Replace two brand new AAA batteries.

3: Point the remote to the center of the sound bar (IR is built in the front of the box.)

If the issue still exists after you did the above steps, please send an email to us:

Support@vmaitech.com with your Amazon order ID, we will provide you with free replacement.

### **Q) Why the battery is not included?**

The battery is not included due to Amazon Safety Regulation. We apologize for the inconvenience.

### **Q) How do you mount it on the wall?**

For mounting our sound bar on the wall is very simple. Please find the mounting screw kit within our package. And simply measure and screw them on the wall. Finally, attach the back of the sound bar to the mounted screw.

If you need any further assistance, feel free to email us at Support@vmaitech.com to provide you with more direct help!

# Technical Specifications

Speaker	25W*2+10W*2
Frequency Response	50Hz~20KHz
Bluetooth Version	5.0+ EDR
Bluetooth Range	Up to 50 f t (clear line of sight)
Power Adaptor	19V2.5A
Function	BT,HDMI(ARC),OPTICAL,AUX,USB
Size	65 x 95 x 900mm / 2.56*3.74*35.43 in

**IMPORTANT:** If you need any assistance, don't hesitate to Contact us: Support@vmaitech.com Here at Vmai, we truly value customer satisfaction!

## FCC Statement

This equipment has been tested and found to comply with the limits for a Class B digital device, pursuant to part 15 of the FCC Rules. These limits are designed to provide reasonable protection against harmful interference in a residential installation. This equipment generates, uses and can radiate radio frequency energy and, if not installed and used in accordance with the instructions, may cause harmful interference to radio communications. However, there is no guarantee that interference will not occur in a particular installation. If this equipment does cause harmful interference to radio or television reception, which can be determined by turning the equipment off and on, the user is encouraged to try to correct the interference by one or more of the following measures:

- Reorient or relocate the receiving antenna.
- Increase the separation between the equipment and receiver.
- Connect the equipment into an outlet on a circuit different from that to which the receiver is connected.
- Consult the dealer or an experienced radio/TV technician for help.

Caution: Any changes or modifications to this device not explicitly approved by manufacturer could void your authority to operate this equipment.

This device complies with part 15 of the FCC Rules. Operation is subject to the following two conditions: (1) This device may not cause harmful interference, and (2) this device must accept any interference received, including interference that may cause undesired operation.

## RF Exposure Information

The device has been evaluated to meet general RF exposure requirement. The device can be used in portable exposure condition without restriction.