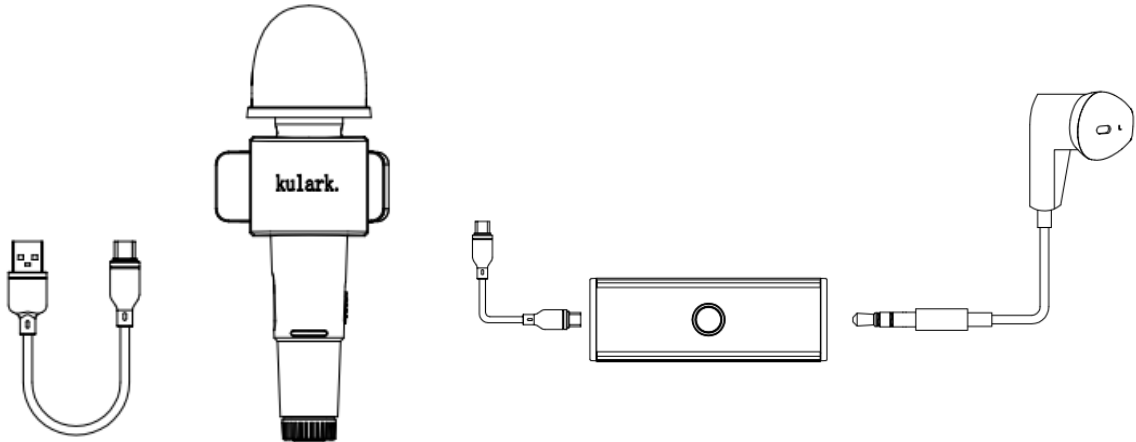
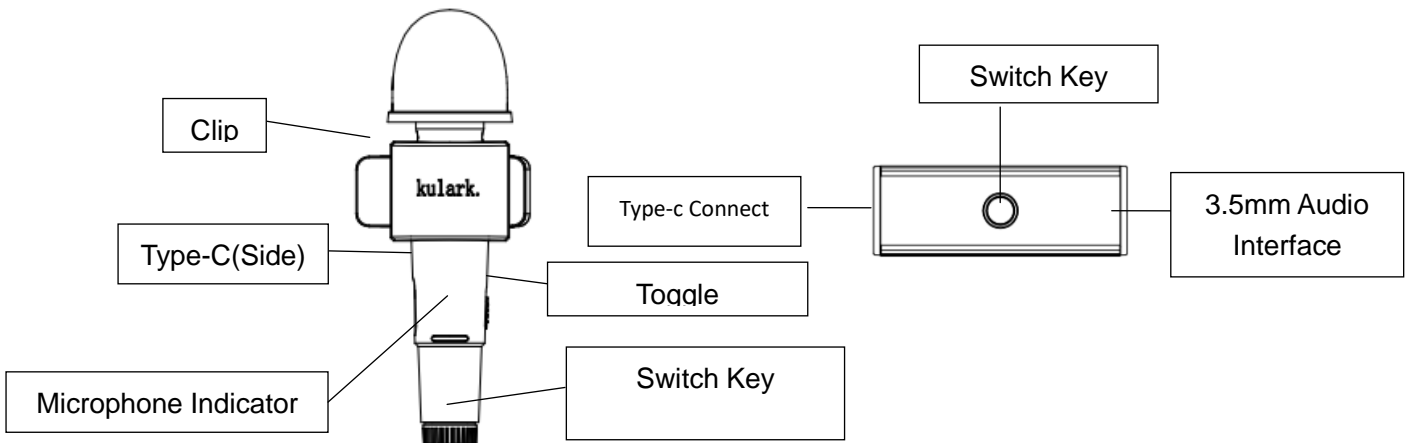


W1 instructions

1、 Product Appearance



2、 About Device



3、 Use Device

Mic/Receiver power on and pairing

Poweron: Long press the power switch, blue light flashing.

Poweroff: Long press the power switch, blue light off.

Turn on the noise reduction function: The microphone and receiver are automatic pairing. After connecting the phone with USB cable, press the switch button, purple light on, the noise reduction is turned on.

Pairing: Mic/Receiver Automatic Pairing, blue light flashing.

Use process

Step 1: Turn on the microphone and receiver, automatic pairing, the blue light of the transmitter is steady on if the pairing is successful.

Step 2: The receiver connects the phone with USB cable, and the phone displays the small icon of headphone.

Step 3: The blue light of the receiver is steady on, the phone is turned on to record, live video and other apps can use the microphone to listen.

Note: receiver listening and listening, Default last used function.

Note 2: Connect the mobile phone, double-click the receiver switch, and the headset icon will disappear and reappear on the mobile phone, which can realize the free switch of listening back.

Mic Functions:

Mute: Turn off the toggle key to mute the microphone.

ReductionFunctions

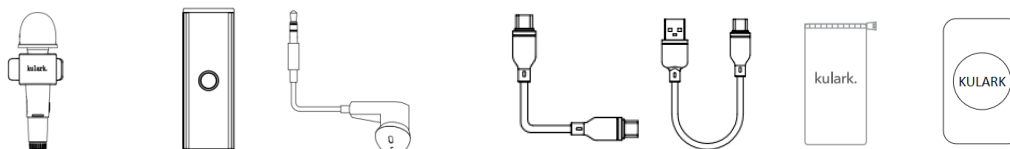
Rec: Connect the phone through THE USB cable, the headset icon appears, open the recording APP, and record.

Monitoring: Connect the phone through USB cable, the earphone icon will appear, and open the recording APP. The recording is performed while the headset can hear the sound.

Reverse listening: Connect the mobile phone through the USB cable, the headset icon appears, and the headset can hear the audio source

4、 Packing List

1.microphone2.dongle 3.wired headphone 4.Type-c 5.USB cable6.bag 7.user manual



5、 Specification

Model: BL-MIC1

Size: 45*15*6.5mm

Battery last time: 6H

Battery: 120mAh

6、 Safety Precautions

Electrical Safety

The installation and use of this product must strictly comply with local electrical safety standards.

Transport Carefully

Prevent heavy damage, severe vibration or damage caused by immersion.

Data Line Maintenance

Do not damage the Data Line, do not twist it, stretch it, and bundle it.

Do not press it under heavy objects or between items. This may cause damage to the Data Line, resulting in fire or electric shock.

Use Environment

Please confirm that the ambient temperature and humidity meet the requirements of the product before use. Please wait until the product is naturally dry before plugging it into the Data Line port to turn on the power.

Do not Unauthorized Disassemble

This product has no parts which can be repaired by the user. The damage caused by the user's own disassembly is not covered by warranty.

7、 Warranty

Product warranty is implemented in accordance with the rules of the sales platform.

User Name	
User Address/Post Code	
Contact Number	
Product Model	
Product Series	
Purchasing Date	
Invoice No.	
Sales Department	

User save, lost or not compensated

Sales Department: (seal)

8、 Label

Wireless live Microphone
FCC ID:2ASKN-BL-MIC1
Model No:BL-MIC1

ShenZhen Lark
Acoustics Co., Ltd.



FCC warning statements:

This equipment has been tested and found to comply with the limits for a Class B digital device, pursuant to part 15 of the FCC Rules. These limits are designed to provide reasonable protection against harmful interference in a residential installation. This equipment generates, uses and can radiate radio frequency energy and, if not installed and used in accordance with the instructions, may cause harmful interference to radio communications. However, there is no guarantee that interference will not occur in a particular installation. If this equipment does cause harmful interference to radio or television reception, which can be determined by turning the equipment off and on, the user is encouraged to try to correct the interference by one or more of the following measures:

- Reorient or relocate the receiving antenna.
- Increase the separation between the equipment and receiver.
- Connect the equipment into an outlet on a circuit different from that to which the receiver is connected.
- Consult the dealer or an experienced radio/TV technician for help.

Caution: Any changes or modifications to this device not explicitly approved by manufacturer could void your authority to operate this equipment.

This device complies with part 15 of the FCC Rules. Operation is subject to the following two conditions: (1) This device may not cause harmful interference, and (2) this device must accept any interference received, including interference that may cause undesired operation.

The device has been evaluated to meet general RF exposure requirement.