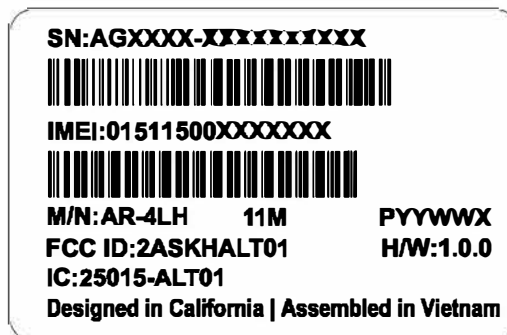
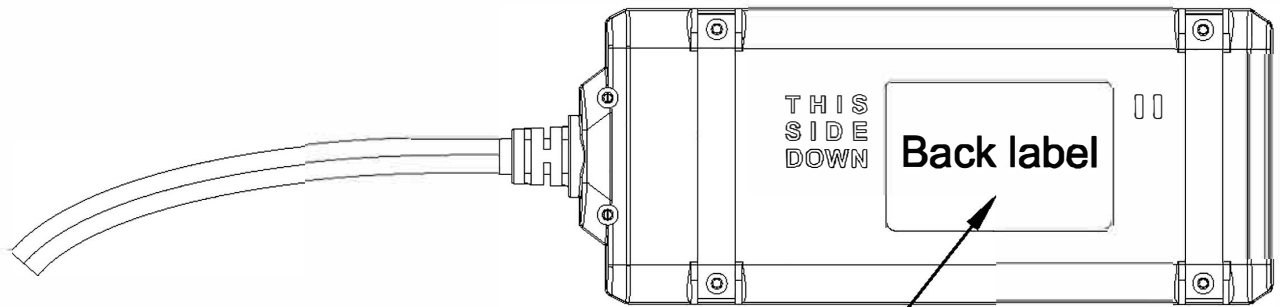


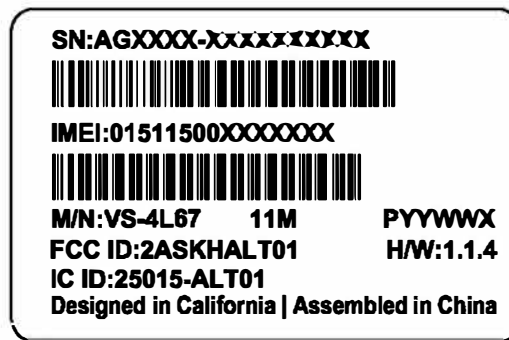
Back label



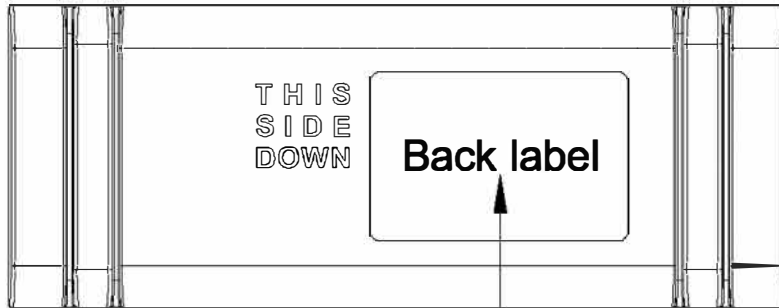
Description	Back Label	P/N	42K-900-2562R	Description		P/N	
 正文科技股份有限公司 Gemtek Technology Co., Ltd.				TITLE : Package Standard Operation Procedure		990-730-0247R	REV. 1.1



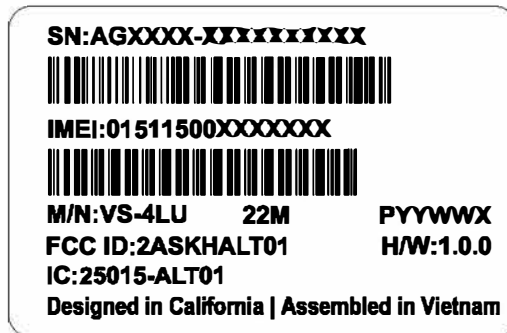
Back label



Description	Back Label	P/N	42K-900-2562R	Description		P/N	
 正文科技股份有限公司 Gemtek Technology Co., Ltd.				TITLE : Package Standard Operation Procedure		990-733-0188R	REV. 1.0



Back label



Description	Back Label	P/N	42K-900-2562R	Description		P/N	
 正文科技股份有限公司 Gemtek Technology Co., Ltd.				TITLE : Package Standard Operation Procedure		990-730-0247R	REV. 1.1