



RF TEST REPORT

Applicant Phillips Connect Technologies, LLC
FCC ID 2ASKH-SN01
Product Battery Operated LTE Cellular GPS Tracker
Brand Phillips Connect
Model 77-7700-13J
Report No. R2207A0680-R3V1
Issue Date November 22, 2022

TA Technology (Shanghai) Co., Ltd. tested the above equipment in accordance with the requirements in **FCC CFR47 Part 2 (2021)/ FCC CFR47 Part 27C (2021)**. The test results show that the equipment tested is capable of demonstrating compliance with the requirements as documented in this report.

Prepared by: Xu Ying

Approved by: Xu Kai

TA Technology (Shanghai) Co., Ltd.

Building 3, No.145, Jintang Rd, Pudong Shanghai, P.R.China

TEL: +86-021-50791141/2/3

FAX: +86-021-50791141/2/3-8000



TABLE OF CONTENT

1	Test Laboratory	5
1.1	Notes of the Test Report	5
1.2.	Test facility	5
1.3	Testing Location	5
2	General Description of Equipment under Test	6
2.1	Applicant and Manufacturer Information.....	6
2.2	General information.....	6
3	Applied Standards	8
4	Test Configuration	9
5	Test Case	10
5.1	RF Power Output and Effective Isotropic Radiated Power	10
5.2	Radiates Spurious Emission	12
6	Test Results	15
6.1	RF Power Output and Effective Isotropic Radiated Power	15
6.2	Radiates Spurious Emission	19
7	Main Test Instruments	23
ANNEX A: The EUT Appearance		24
ANNEX B: Test Setup Photos		25



Version	Revision description	Issue Date
Rev.0	Initial issue of report.	October 14, 2022
Rev.1	Update information.	November 22, 2022

Note: This revised report (Report No. R2207A0680-R3V1) supersedes and replaces the previously issued report (Report No. R2207A0680-R3). Please discard or destroy the previously issued report and dispose of it accordingly.



Summary of Measurement Results

Number	Test Case	Clause in FCC rules	Verdict
1	RF Power Output and Effective Isotropic Radiated Power	2.1046 /27.50(d)(4) /27.50(c)(10)	PASS
2	Radiates Spurious Emission	2.1053 /27.53(h) /27.53(g)	PASS
Date of Testing: July 26, 2022 and August 8, 2022 Date of Sample Received: July 26, 2022			
Note: PASS: The EUT complies with the essential requirements in the standard. FAIL: The EUT does not comply with the essential requirements in the standard. All indications of Pass/Fail in this report are opinions expressed by TA Technology (Shanghai) Co., Ltd. based on interpretations and/or observations of test results. Measurement Uncertainties were not taken into account and are published for informational purposes only.			

This report only tests RF Power Output and Effective Isotropic Radiated Power and Radiates Spurious Emission. For other test items, please refer to Module Report (Report No: R1805A0226-R3V3 FCC ID: XMR201606EC21A).



1 Test Laboratory

1.1 Notes of the Test Report

This report shall not be reproduced in full or partial, without the written approval of **TA technology (shanghai) co., Ltd.** The results documented in this report apply only to the tested sample, under the conditions and modes of operation as described herein .Measurement Uncertainties were not taken into account and are published for informational purposes only. This report is written to support regulatory compliance of the applicable standards stated above.

1.2. Test facility

FCC (Designation number: CN1179, Test Firm Registration Number: 446626)

TA Technology (Shanghai) Co., Ltd. has been listed on the US Federal Communications Commission list of test facilities recognized to perform measurements.

A2LA (Certificate Number: 3857.01)

TA Technology (Shanghai) Co., Ltd. has been listed by American Association for Laboratory Accreditation to perform measurement.

1.3 Testing Location

Company: TA Technology (Shanghai) Co., Ltd.
Address: Building 3, No.145, Jintang Rd, Pudong Shanghai, P.R.China
City: Shanghai
Post code: 201201
Country: P. R. China
Contact: Xu Kai
Telephone: +86-021-50791141/2/3
Fax: +86-021-50791141/2/3-8000
Website: <http://www.ta-shanghai.com>
E-mail: xukai@ta-shanghai.com



2 General Description of Equipment under Test

2.1 Applicant and Manufacturer Information

Applicant	Phillips Connect Technologies, LLC
Applicant address	5231 California Avenue, Suite 110, Irvine, CA 92617
Manufacturer	Phillips Connect Technologies, LLC
Manufacturer address	5231 California Avenue, Suite 110, Irvine, CA 92617

2.2 General information

EUT Description			
Model	77-7700-13J		
IMEI	866961060198104		
Hardware Version	Freight-LA P6		
Software Version	Freight-LA 22-D		
Power Supply	Battery		
Antenna Type	Internal Antenna		
Antenna Gain	WCDMA Band IV	4 dBi	
	LTE Band 4	4 dBi	
	LTE Band 12	-1 dBi	
Test Mode(s)	WCDMA Band IV; LTE Band 4/12;		
Test Modulation	(WCDMA) QPSK, 16QAM; (LTE)QPSK, 16QAM;		
HSDPA UE Category	24		
HSUPA UE Category	6		
DC-HSDPA UE Category	24		
LTE Category	1		
Maximum E.I.R.P./ E.R.P.	WCDMA Band IV:	27.27dBm	
	LTE Band 4:	27.22dBm	
	LTE Band 12:	20.17dBm	
Rated Power Supply Voltage	12V		
Operating Voltage	10V ~ 32V		
Operating Temperature	Lowest: -30°C Highest: +70°C		
Testing Temperature	Lowest: -30°C Highest: +50°C		
Operating Frequency Range(s)	Mode	Tx (MHz)	Rx (MHz)
	WCDMA Band IV	1710 ~ 1755	2110 ~ 2155
	LTE Band 4	1710 ~ 1755	2110 ~ 2155
	LTE Band 12	699 ~ 716	729 ~ 746



EUT Accessory	
Battery	Manufacturer: Dongguan Kingin power Co., Ltd. Model: HRBS01-C
Note: 1. The EUT is sent from the applicant to TA and the information of the EUT is declared by the applicant.	



3 Applied Standards

According to the specifications of the manufacturer, it must comply with the requirements of the following standards:

Test standards:

FCC CFR47 Part 27C (2021)

FCC CFR47 Part 2 (2021)

Reference standard:

ANSI C63.26-2015

KDB 971168 D01 Power Meas License Digital Systems v03r01

4 Test Configuration

Radiated measurements are performed by rotating the EUT in three different orthogonal test planes. EUT stand-up position (Z axis), lie-down position (X, Y axis). Receiver antenna polarization (horizontal and vertical), the worst emission was found in position (Z axis, horizontal polarization) and the worst case was recorded.

All mode and data rates and positions and RB size and modulations were investigated.

Subsequently, only the worst case emissions are reported.

The following testing in WCDMA/LTE is set based on the maximum RF Output Power.

The following testing in different Bandwidth is set to detail in the following table:

Test modes are chosen to be reported as the worst case configuration below:

Test items	Modes/Modulation
	WCDMA Band IV
RF Power Output and Effective Isotropic Radiated Power	RMC HSDPA/HSUPA DC-HSDPA/HSPA+
Radiates Spurious Emission	RMC

Test modes are chosen to be reported as the worst case configuration below for LTE Band 4/12:

Test items	Modes	Bandwidth (MHz)						Modulation		RB			Test Channel		
		1.4	3	5	10	15	20	QPSK	16QAM	1	50%	100%	L	M	H
RF Power Output and Effective Isotropic Radiated Power	LTE 4	O	O	O	O	O	O	O	O	O	O	O	O	O	O
	LTE 12	O	O	O	O	-	-	O	O	O	O	O	O	O	O
Radiates Spurious Emission	LTE 4	O	-	O	-	-	O	O	-	O	-	-	-	O	-
	LTE 12	O	-	O	O	-	-	O	-	O	-	-	-	O	-
Note	1. The mark "O" means that this configuration is chosen for testing. 2. The mark "-" means that this configuration is not testing.														

5 Test Case

5.1 RF Power Output and Effective Isotropic Radiated Power

Ambient condition

Temperature	Relative humidity	Pressure
23°C ~25°C	45%~50%	101.5kPa

Methods of Measurement

During the process of the testing, The EUT was connected to the Base Station Simulator with a known loss. The EUT is controlled by the Base Station Simulator test set to ensure max power transmission with proper modulation.

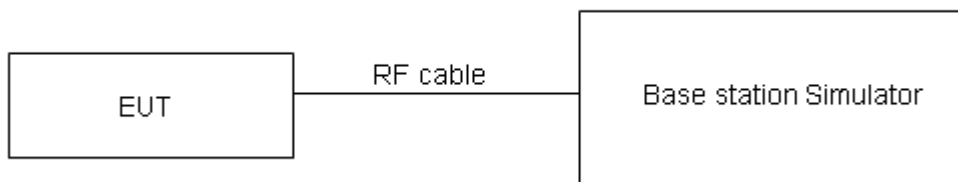
ERP can then be calculated as follows:

$$\text{EIRP (dBm)} = \text{Output Power (dBm)} + \text{Antenna Gain (dBi)}$$

where:dBd refers to gain relative to an ideal dipole.

$$\text{EIRP (dBm)} = \text{ERP (dBm)} + 2.15 \text{ (dB.)}$$

Test Setup



Limits

No specific RF power output requirements in part 2.1046.

Rule Part 27.50(c) (10) specifies that “Portable stations (hand-held devices) in the 600 MHz uplink band and the 698-746 MHz band, and fixed and mobile stations in the 600 MHz uplink band are limited to 3 watts ERP”

Rule Part 27.50(d) (4) specifies that “Fixed, mobile and portable (hand-held) stations operating in the 1710–1755 MHz band are limited to 1 watt EIRP”

Part 27.50(c)(10)Limit	≤ 3 W (34.77 dBm)
Part 27.50(d)(4)Limit	≤ 1 W (30 dBm)



Measurement Uncertainty

The assessed measurement uncertainty to ensure 95% confidence level for the normal distribution is with the coverage factor $k = 2$, $U=0.4$ dB for RF power output, $k = 2$, $U= 1.19$ dB for ERP/EIRP.

Test Results

Refer to the section 6.1 of this report for test data.



5.2 Radiates Spurious Emission

Ambient condition

Temperature	Relative humidity	Pressure
23°C ~25°C	45%~50%	101.5kPa

Method of Measurement

- The testing follows FCC KDB 971168 D01 v03r01 Section 5.8 and ANSI C63.26-2015.
- Below 1GHz: The EUT is placed on a turntable 0.8 meters above the ground in the chamber, 3 meter away from the antenna. The maximal emission value is acquired by adjusting the antenna height, polarisation and turntable azimuth. Normally, the height range of antenna is 1 m to 4 m, the azimuth range of turntable is 0° to 360°, and the receive antenna has two polarizations Vertical (V) and Horizontal (H). Above 1GHz: (Note: the FCC's permission to use 1.5m as an alternative per TCBC Conf call of Dec. 2, 2014.) The EUT is placed on a turntable 1.5 meters above the ground in the chamber, 3 meter away from the antenna. The maximal emission value is acquired by adjusting the antenna height, polarisation and turntable azimuth. Normally, the height range of antenna is 1 m to 4 m, the azimuth range of turntable is 0° to 360°, and the receive antenna has two polarizations Vertical (V) and Horizontal (H).
- A loop antenna, A log-periodic antenna or horn antenna shall be substituted in place of the EUT. The log-periodic antenna will be driven by a signal generator and the level will be adjusted till the same power value on the spectrum analyzer or receiver. The level of the spurious emissions can be calculated through the level of the signal generator, cable loss, the gain of the substitution antenna and the reading of the spectrum analyzer or receiver.
- The EUT is then put into continuously transmitting mode at its maximum power level during the test. Set Test Receiver or Spectrum RBW=100kHz, VBW=300kHz for 30MHz to 1GHz and RBW=1MHz, VBW=3MHz for above 1GHz, and the maximum value of the receiver should be recorded as (Pr).
- The EUT shall be replaced by a substitution antenna. In the chamber, an substitution antenna for the frequency band of interest is placed at the reference point of the chamber. An RF Signal source for the frequency band of interest is connected to the substitution antenna with a cable that has been constructed to not interfere with the radiation pattern of the antenna. A power (PMea) is applied to the input of the substitution antenna, and adjust the level of the signal generator output until the value of the receiver reach the previously recorded (Pr). The power of signal source (PMea) is recorded. The test should be performed by rotating the test item and adjusting the receiving antenna polarization.
- A amplifier should be connected to the Signal Source output port. And the cable should be connect between the Amplifier and the Substitution Antenna. The cable loss (Pcl) ,the Substitution Antenna Gain (Ga) and the Amplifier Gain (PAg) should be recorded after test.
- The measurement results are obtained as described below:

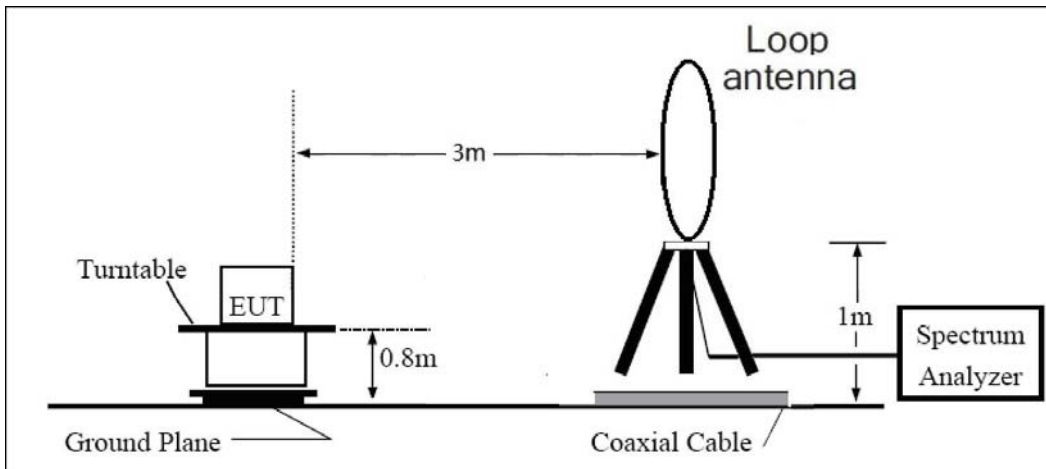
$$\text{Power(EIRP)} = \text{PMea} - \text{PAg} - \text{Pcl} + \text{Ga}$$
 The measurement results are amend as described below:

$$\text{Power(EIRP)} = \text{PMea} - \text{Pcl} + \text{Ga}$$
- This value is EIRP since the measurement is calibrated using an antenna of known gain (2.15 dB) and known input power. ERP can be calculated from EIRP by subtracting the gain of the dipole, $\text{ERP} = \text{EIRP} - 2.15\text{dB}$.

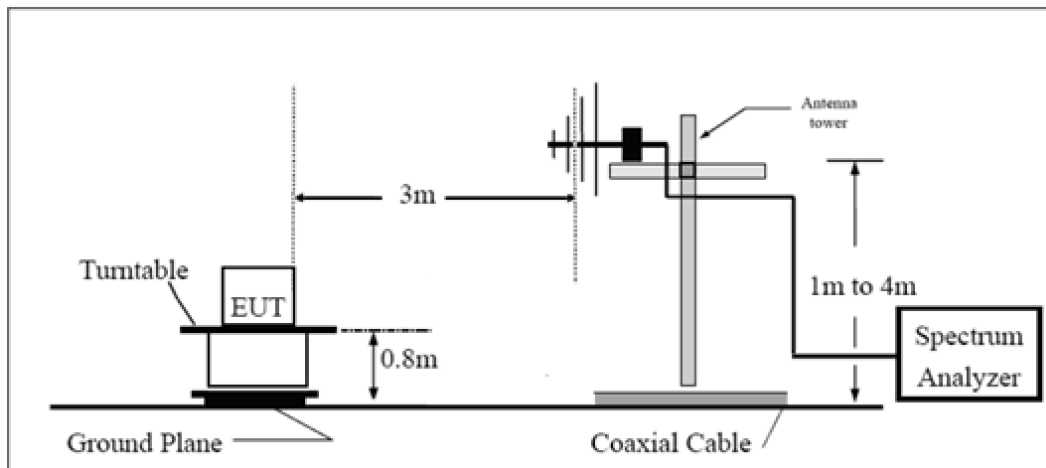
The modulation mode and RB allocation refer to section 5.1, using the maximum output power configuration.

Test setup

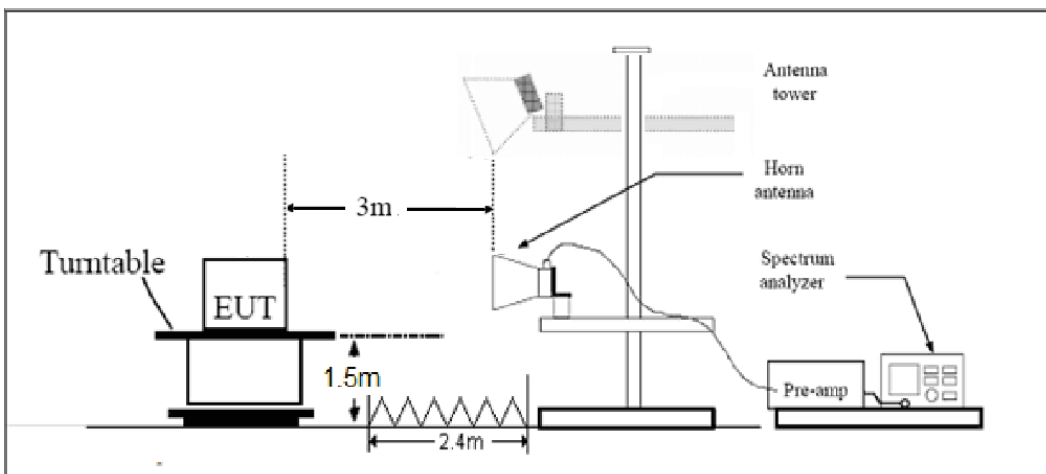
9KHz~ 30MHz



30MHz~ 1GHz



Above 1GHz



Note: Area side:2.4mX3.6m



Limits

Rule Part 27.53(h) specifies that “for operations in the 1695-1710 MHz, 1710-1755 MHz, 1755-1780 MHz, 1915-1920 MHz, 1995-2000 MHz, 2000-2020 MHz, 2110-2155 MHz, 2155-2180 MHz, and 2180-2200 bands, the power of any emission outside a licensee's frequency block shall be attenuated below the transmitter power (P) in watts by at least $43 + 10 \log_{10}(P)$ dB.”

Rule Part 27.53 (g) For operations in the 600 MHz band and the 698-746 MHz band, the power of any emission outside a licensee's frequency band(s) of operation shall be attenuated below the transmitter power (P) within the licensed band(s) of operation, measured in watts, by at least $43 + 10 \log(P)$ dB. Compliance with this provision is based on the use of measurement instrumentation employing a resolution bandwidth of 100 kilohertz or greater. However, in the 100 kilohertz bands immediately outside and adjacent to a licensee's frequency block, a resolution bandwidth of at least 30 kHz may be employed.

Part 27.53(a)/(h)/(g) Limit	-13 dBm
-----------------------------	---------

Measurement Uncertainty

The assessed measurement uncertainty to ensure 95% confidence level for the normal distribution is with the coverage factor $k = \pm 1.96$, $U = \pm 3.55$ dB.

Test Results

Refer to the section 6.7 of this report for test data.

6 Test Results

6.1 RF Power Output and Effective Isotropic Radiated Power

RF Power Output refer to Module Report

WCDMA Band IV		Maximum Output Power (dBm)			EIRP (dBm)		
		Channel 1312	Channel 1413	Channel 1513	Channel 1312	Channel 1413	Channel 1513
		1712.4 (MHz)	1732.6 (MHz)	1752.6 (MHz)	1712.4 (MHz)	1732.6 (MHz)	1752.6 (MHz)
RMC		23.16	23.22	23.27	27.16	27.22	27.27
HSDPA	Sub - Test 1	22.20	22.25	22.23	26.20	26.25	26.23
	Sub - Test 2	22.09	22.25	22.29	26.09	26.25	26.29
	Sub - Test 3	21.56	21.72	21.63	25.56	25.72	25.63
	Sub - Test 4	21.56	21.69	21.73	25.56	25.69	25.73
HSUPA	Sub - Test 1	22.16	22.17	22.13	26.16	26.17	26.13
	Sub - Test 2	21.56	21.69	21.70	25.56	25.69	25.70
	Sub - Test 3	22.02	22.11	22.16	26.02	26.11	26.16
	Sub - Test 4	22.12	22.30	22.22	26.12	26.30	26.22
	Sub - Test 5	22.11	22.23	22.18	26.11	26.23	26.18
DC-HSDPA	Sub - Test 1	23.09	23.11	23.16	27.09	27.11	27.16
	Sub - Test 2	23.08	23.10	23.15	27.08	27.10	27.15
	Sub - Test 3	22.57	22.59	22.64	26.57	26.59	26.64
	Sub - Test 4	22.56	22.68	22.62	26.56	26.68	26.62

LTE Band 4				Maximum Output Power (dBm)			EIRP (dBm)		
Bandwidth	Modulation	RB allocation	offset	Channel/Frequency(MHz)			Channel/Frequency(MHz)		
				19957/1710.7	20175/1732.5	20393/1754.3	19957/1710.7	20175/1732.5	20393/1754.3
1.4MHz	QPSK	1	0	22.76	22.81	22.87	26.76	26.81	26.87
		1	2	22.92	22.94	22.99	26.92	26.94	26.99
		1	5	22.70	22.97	22.83	26.70	26.97	26.83
		3	0	22.54	22.79	22.71	26.54	26.79	26.71
		3	2	22.63	22.83	22.54	26.63	26.83	26.54
		3	3	22.55	22.73	22.69	26.55	26.73	26.69
	16QAM	6	0	21.69	21.97	21.76	25.69	25.97	25.76
		1	0	21.94	22.18	22.13	25.94	26.18	26.13
		1	2	21.93	22.19	22.21	25.93	26.19	26.21
			1	5	21.82	21.92	22.97	25.82	25.92



Bandwidth	Modulation	RB allocation	offset	Channel/Frequency(MHz)			EIRP (dBm)		
				19965/1 711.5	20175/1 732.5	20385/1 753.5	19965/1 711.5	20175/1 732.5	20385/1 753.5
3MHz	QPSK	1	0	23.03	23.14	23.16	27.03	27.14	27.16
		1	7	23.17	23.05	22.98	27.17	27.05	26.98
		1	14	23.22	23.03	23.09	27.22	27.03	27.09
		8	0	21.86	21.87	21.99	25.86	25.87	25.99
		8	4	21.88	21.89	21.95	25.88	25.89	25.95
		8	7	22.04	21.90	21.72	26.04	25.90	25.72
	16QAM	15	0	21.83	21.75	21.93	25.83	25.75	25.93
		1	0	21.70	21.83	21.91	25.70	25.83	25.91
		1	7	21.83	21.78	21.90	25.83	25.78	25.90
		1	14	21.96	21.85	21.96	25.96	25.85	25.96
Bandwidth	Modulation	RB allocation	offset	Channel/Frequency(MHz)			EIRP (dBm)		
				19975/1 712.5	20175/1 732.5	20375/1 752.5	19975/1 712.5	20175/1 732.5	20375/1 752.5
5MHz	QPSK	1	0	23.00	23.12	23.12	27.00	27.12	27.12
		1	13	23.15	23.01	22.95	27.15	27.01	26.95
		1	24	23.19	22.98	23.05	27.19	26.98	27.05
		12	0	21.83	21.82	21.95	25.83	25.82	25.95
		12	6	21.86	21.85	21.90	25.86	25.85	25.90
		12	13	22.02	21.88	21.68	26.02	25.88	25.68
	16QAM	25	0	21.81	21.74	21.91	25.81	25.74	25.91
		1	0	21.67	21.79	21.88	25.67	25.79	25.88
		1	13	21.80	21.76	21.87	25.80	25.76	25.87
		1	24	21.93	21.83	21.92	25.93	25.83	25.92
Bandwidth	Modulation	RB allocation	offset	Channel/Frequency(MHz)			EIRP (dBm)		
				20000/1 715	20175/1 732.5	20350/1 750	20000/1 715	20175/1 732.5	20350/1 750
10MHz	QPSK	1	0	23.02	23.13	23.15	27.02	27.13	27.15
		1	25	23.18	23.06	22.99	27.18	27.06	26.99
		1	49	23.21	23.02	23.08	27.21	27.02	27.08
		25	0	21.86	21.87	21.99	25.86	25.87	25.99
		25	13	21.89	21.90	21.94	25.89	25.90	25.94
		25	25	22.04	21.92	21.73	26.04	25.92	25.73
	16QAM	50	0	21.89	21.76	21.95	25.89	25.76	25.95
		1	0	21.69	21.82	21.90	25.69	25.82	25.90
		1	25	21.83	21.80	21.90	25.83	25.80	25.90
		1	49	21.96	21.85	21.95	25.96	25.85	25.95
Bandwidth	Modulation	RB allocation	offset	Channel/Frequency(MHz)			EIRP (dBm)		
				20025/1 717.5	20175/1 732.5	20325/1 747.5	20025/1 717.5	20175/1 732.5	20325/1 747.5
15MHz	QPSK	1	0	23.01	23.09	23.13	27.01	27.09	27.13



		1	38	23.16	23.05	22.96	27.16	27.05	26.96
		1	74	23.18	22.97	23.04	27.18	26.97	27.04
		36	0	21.84	21.83	21.96	25.84	25.83	25.96
		36	18	21.86	21.85	21.90	25.86	25.85	25.90
		36	39	22.01	21.89	21.69	26.01	25.89	25.69
		75	0	21.87	21.72	21.90	25.87	25.72	25.90
	16QAM	1	0	21.64	21.80	21.88	25.64	25.80	25.88
		1	38	21.81	21.77	21.88	25.81	25.77	25.88
		1	74	21.93	21.81	21.92	25.93	25.81	25.92
Bandwidth	Modulation	RB allocation	offset	Channel/Frequency(MHz)			EIRP (dBm)		
				20050/1720	20175/1732.5	20300/1745	20050/1720	20175/1732.5	20300/1745
20MHz	QPSK	1	0	22.98	23.05	23.10	26.98	27.05	27.10
		1	50	23.15	23.01	22.94	27.15	27.01	26.94
		1	99	23.16	22.96	23.01	27.16	26.96	27.01
		50	0	21.81	21.78	21.92	25.81	25.78	25.92
		50	25	21.84	21.81	21.87	25.84	25.81	25.87
		50	50	21.98	21.84	21.65	25.98	25.84	25.65
	100	0	21.84	21.67	21.86	25.84	25.67	25.86	
	16QAM	1	0	21.62	21.76	21.83	25.62	25.76	25.83
		1	50	21.77	21.75	21.84	25.77	25.75	25.84
1		99	21.91	21.78	21.90	25.91	25.78	25.90	

LTE Band 12				Maximum Output Power (dBm)			ERP (dBm)		
Bandwidth	Modulation	RB allocation	offset	Channel/Frequency(MHz)			Channel/Frequency(MHz)		
				23017/699.7	23095/707.5	23173/715.3	23017/699.7	23095/707.5	23173/715.3
1.4MHz	QPSK	1	0	23.13	23.14	23.02	19.98	19.99	19.87
		1	2	23.11	23.27	23.04	19.96	20.12	19.89
		1	5	23.07	23.30	23.06	19.92	20.15	19.91
		3	0	22.87	22.91	22.85	19.72	19.76	19.70
		3	2	22.93	23.03	22.91	19.78	19.88	19.76
		3	3	22.82	23.08	22.84	19.67	19.93	19.69
	6	0	22.20	22.41	22.24	19.05	19.26	19.09	
	16QAM	1	0	22.18	22.78	22.16	19.03	19.63	19.01
		1	2	22.70	22.89	22.01	19.55	19.74	18.86
1		5	22.52	22.66	22.44	19.37	19.51	19.29	
Bandwidth	Modulation	RB allocation	offset	Channel/Frequency(MHz)			ERP (dBm)		
				23025/700.5	23095/707.5	23165/714.5	23025/700.5	23095/707.5	23165/714.5
3MHz	QPSK	1	0	22.99	22.99	22.92	19.84	19.84	19.77
		1	7	23.13	23.32	22.90	19.98	20.17	19.75



		1	14	22.90	22.88	22.90	19.75	19.73	19.75
		8	0	22.30	22.38	22.46	19.15	19.23	19.31
		8	4	22.39	22.26	22.43	19.24	19.11	19.28
		8	7	22.49	22.36	22.39	19.34	19.21	19.24
		15	0	22.29	22.38	22.40	19.14	19.23	19.25
	16QAM	1	0	22.37	22.76	22.49	19.22	19.61	19.34
		1	7	22.61	23.07	22.36	19.46	19.92	19.21
		1	14	22.45	22.72	22.03	19.30	19.57	18.88
Bandwidth	Modulation	RB allocation	off set	Channel/Frequency(MHz)			ERP (dBm)		
				23035/701.5	23095/707.5	23155/713.5	23035/701.5	23095/707.5	23155/713.5
5MHz	QPSK	1	0	22.98	22.95	22.90	19.83	19.80	19.75
		1	13	23.11	23.31	22.87	19.96	20.16	19.72
		1	24	22.87	22.83	22.86	19.72	19.68	19.71
		12	0	22.28	22.34	22.43	19.13	19.19	19.28
		12	6	22.36	22.21	22.39	19.21	19.06	19.24
		12	13	22.46	22.33	22.35	19.31	19.18	19.20
	16QAM	25	0	22.27	22.34	22.35	19.12	19.19	19.20
		1	0	22.32	22.74	22.47	19.17	19.59	19.32
		1	13	22.59	23.04	22.34	19.44	19.89	19.19
		1	24	22.42	22.68	22.00	19.27	19.53	18.85
Bandwidth	Modulation	RB allocation	off set	Channel/Frequency(MHz)			ERP (dBm)		
				23060/704	23095/707.5	23130/711	23060/704	23095/707.5	23130/711
10MHz	QPSK	1	0	22.95	22.91	22.87	19.80	19.76	19.72
		1	25	23.10	23.27	22.85	19.95	20.12	19.70
		1	49	22.85	22.82	22.83	19.70	19.67	19.68
		25	0	22.25	22.29	22.39	19.10	19.14	19.24
		25	13	22.34	22.17	22.36	19.19	19.02	19.21
		25	25	22.43	22.28	22.31	19.28	19.13	19.16
		50	0	22.24	22.29	22.31	19.09	19.14	19.16
	16QAM	1	0	22.30	22.70	22.42	19.15	19.55	19.27
		1	25	22.55	23.02	22.30	19.40	19.87	19.15
		1	49	22.40	22.65	21.98	19.25	19.50	18.83

6.2 Radiates Spurious Emission

Sweep the whole frequency band through the range from 9kHz to the 10th harmonic of the carrier, the emissions below the noise floor will not be recorded in the report.

WCDMA Band IV CH-Middle

Harmonic	Frequency (MHz)	SG (dBm)	Cable Loss (dB)	Gain (dBi)	Antenna Polarization	EIRP Level (dBm)	Limit (dBm)	Margin (dB)	Azimuth (deg)
2	3465.20	-48.67	2.70	12.70	Vertical	-38.67	-13.00	25.67	225
3	5197.80	-49.72	3.20	12.50	Vertical	-40.42	-13.00	27.42	45
4	6930.40	-58.25	4.20	11.80	Vertical	-50.65	-13.00	37.65	135
5	8663.00	-56.04	4.40	12.50	Vertical	-47.94	-13.00	34.94	0
6	10395.60	-51.83	4.70	11.30	Vertical	-45.23	-13.00	32.23	90
7	12128.20	-52.47	5.20	13.80	Vertical	-43.87	-13.00	30.87	180
8	13860.80	-50.90	5.70	11.30	Vertical	-45.30	-13.00	32.30	225
9	15593.40	-52.01	6.10	16.80	Vertical	-41.31	-13.00	28.31	225
10	17326.00	-50.11	6.10	14.20	Vertical	-42.01	-13.00	29.01	45

Note: 1.The other Spurious RF Radiated emissions level is no more than noise floor.
2. The worst emission was found in the antenna is Vertical position.

LTE Band 4 QPSK 1.4MHz CH-Middle, RB 1

Harmonic	Frequency (MHz)	SG (dBm)	Cable Loss (dB)	Gain (dBi)	Antenna Polarization	EIRP Level (dBm)	Limit (dBm)	Margin (dB)	Azimuth (deg)
2	3464.25	-43.07	2.70	12.70	Vertical	-33.07	-13.00	20.07	45
3	5197.50	-37.70	3.20	12.50	Vertical	-28.40	-13.00	15.40	315
4	6930.00	-50.05	4.20	11.80	Vertical	-42.45	-13.00	29.45	0
5	8662.50	-54.94	4.40	12.50	Vertical	-46.84	-13.00	33.84	180
6	10395.00	-51.39	4.70	11.30	Vertical	-44.79	-13.00	31.79	225
7	12127.50	-54.02	5.20	13.80	Vertical	-45.42	-13.00	32.42	135
8	13860.00	-50.19	5.70	11.30	Vertical	-44.59	-13.00	31.59	0
9	15592.50	-53.77	6.10	16.80	Vertical	-43.07	-13.00	30.07	270
10	17325.00	-49.97	6.10	14.20	Vertical	-41.87	-13.00	28.87	90

Note: 1.The other Spurious RF Radiated emissions level is no more than noise floor.
2. The worst emission was found in the antenna is Vertical position.



LTE Band 4 QPSK 5MHz CH-Middle, RB 1

Harmonic	Frequency (MHz)	SG (dBm)	Cable Loss (dB)	Gain (dBi)	Antenna Polarization	EIRP Level (dBm)	Limit (dBm)	Margin (dB)	Azimuth (deg)
2	3460.00	-43.72	2.70	12.70	Vertical	-33.72	-13.00	20.72	45
3	5190.00	-37.38	3.20	12.50	Vertical	-28.08	-13.00	15.08	135
4	6920.00	-51.72	4.20	11.80	Vertical	-44.12	-13.00	31.12	180
5	8650.00	-55.04	4.40	12.50	Vertical	-46.94	-13.00	33.94	0
6	10380.00	-52.22	4.70	11.30	Vertical	-45.62	-13.00	32.62	225
7	12110.00	-52.30	5.20	13.80	Vertical	-43.70	-13.00	30.70	135
8	13840.00	-50.81	5.70	11.30	Vertical	-45.21	-13.00	32.21	270
9	15570.00	-52.98	6.10	16.80	Vertical	-42.28	-13.00	29.28	90
10	17300.00	-49.38	6.10	14.20	Vertical	-41.28	-13.00	28.28	0

Note: 1.The other Spurious RF Radiated emissions level is no more than noise floor.
2. The worst emission was found in the antenna is Vertical position.

LTE Band 4 QPSK 20MHz CH-Middle, RB 1

Harmonic	Frequency (MHz)	SG (dBm)	Cable Loss (dB)	Gain (dBi)	Antenna Polarization	EIRP Level (dBm)	Limit (dBm)	Margin (dB)	Azimuth (deg)
2	3445.00	-49.65	2.70	12.70	Vertical	-39.65	-13.00	26.65	135
3	5167.50	-43.26	3.20	12.50	Vertical	-33.96	-13.00	20.96	45
4	6890.00	-59.99	4.20	11.80	Vertical	-52.39	-13.00	39.39	225
5	8612.50	-57.70	4.40	12.50	Vertical	-49.60	-13.00	36.60	315
6	10335.00	-51.20	4.70	11.30	Vertical	-44.60	-13.00	31.60	0
7	12057.50	-53.79	5.20	13.80	Vertical	-45.19	-13.00	32.19	180
8	13780.00	-51.10	5.70	11.30	Vertical	-45.50	-13.00	32.50	225
9	15502.50	-52.31	6.10	16.80	Vertical	-41.61	-13.00	28.61	135
10	17225.00	-51.31	6.10	14.20	Vertical	-43.21	-13.00	30.21	90

Note: 1.The other Spurious RF Radiated emissions level is no more than noise floor.
2. The worst emission was found in the antenna is Vertical position.



LTE Band 12 QPSK 1.4MHz CH-Middle, RB 1

Harmonic	Frequency (MHz)	SG (dBm)	Cable Loss (dB)	Gain (dBi)	Antenna Polarization	ERP Level (dBm)	Limit (dBm)	Margin (dB)	Azimuth (deg)
2	1415.00	-44.99	1.70	8.70	Vertical	-40.14	-13.00	27.14	225
3	2122.50	-34.45	2.10	11.10	Vertical	-27.60	-13.00	14.60	45
4	2830.00	-52.16	2.30	13.10	Vertical	-43.51	-13.00	30.51	135
5	3534.00	-52.25	2.60	12.70	Vertical	-44.30	-13.00	31.30	225
6	4240.00	-50.34	3.30	12.50	Vertical	-43.29	-13.00	30.29	180
7	4947.60	-50.11	3.40	12.50	Vertical	-43.16	-13.00	30.16	45
8	5654.40	-55.90	3.30	12.50	Vertical	-48.85	-13.00	35.85	315
9	6361.20	-56.85	3.80	11.50	Vertical	-51.30	-13.00	38.30	180
10	7068.00	-57.73	4.20	11.80	Vertical	-52.28	-13.00	39.28	90

Note: 1. The other Spurious RF Radiated emissions level is no more than noise floor.
2. The worst emission was found in the antenna is Horizontal position.

LTE Band 12 QPSK 5MHz CH-Middle, RB 1

Harmonic	Frequency (MHz)	SG (dBm)	Cable Loss (dB)	Gain (dBi)	Antenna Polarization	ERP Level (dBm)	Limit (dBm)	Margin (dB)	Azimuth (deg)
2	1410.60	-46.84	1.70	8.70	Vertical	-41.99	-13.00	28.99	45
3	2115.90	-35.21	2.10	11.10	Vertical	-28.36	-13.00	15.36	225
4	2821.20	-51.09	2.30	13.10	Vertical	-42.44	-13.00	29.44	45
5	3525.00	-55.20	2.60	12.70	Vertical	-47.25	-13.00	34.25	0
6	4230.00	-50.02	3.30	12.50	Vertical	-42.97	-13.00	29.97	315
7	4935.00	-50.25	3.40	12.50	Vertical	-43.30	-13.00	30.30	270
8	5640.00	-54.48	3.30	12.50	Vertical	-47.43	-13.00	34.43	45
9	6345.00	-56.90	3.80	11.50	Vertical	-51.35	-13.00	38.35	225
10	7050.00	-58.84	4.20	11.80	Vertical	-53.39	-13.00	40.39	90

Note: 1. The other Spurious RF Radiated emissions level is no more than noise floor.
2. The worst emission was found in the antenna is Horizontal position.



LTE Band 12 QPSK 10MHz CH-Middle, RB 1

Harmonic	Frequency (MHz)	SG (dBm)	Cable Loss (dB)	Gain (dBi)	Antenna Polarization	ERP Level (dBm)	Limit (dBm)	Margin (dB)	Azimuth (deg)
2	1406.40	-44.87	1.70	8.70	Vertical	-40.02	-13.00	27.02	45
3	2109.60	-36.96	2.10	11.10	Vertical	-30.11	-13.00	17.11	90
4	2812.80	-51.29	2.30	13.10	Vertical	-42.64	-13.00	29.64	135
5	3512.50	-56.89	2.60	12.70	Vertical	-48.94	-13.00	35.94	135
6	4215.00	-53.68	3.30	12.50	Vertical	-46.63	-13.00	33.63	45
7	4914.50	-50.92	3.40	12.50	Vertical	-43.97	-13.00	30.97	0
8	5620.00	-57.26	3.30	12.50	Vertical	-50.21	-13.00	37.21	225
9	6322.50	-57.61	3.80	11.50	Vertical	-52.06	-13.00	39.06	90
10	7025.00	-59.60	4.20	11.80	Vertical	-54.15	-13.00	41.15	315

Note: 1. The other Spurious RF Radiated emissions level is no more than noise floor.

2. The worst emission was found in the antenna is Horizontal position.



7 Main Test Instruments

Name	Manufacturer	Type	Serial Number	Calibration Date	Expiration Date
Wireless Communication Tester	R&S	CMW500	150415	2022-05-14	2023-05-13
Universal Radio Communication Tester	Agilent	E5515C	GB44400275	2021-12-12	2022-12-11
Spectrum Analyzer	R&S	FSV30	100815	2021-12-12	2022-12-11
Loop Antenna	SCHWARZBECK	FMZB1519	1519-047	2020-04-02	2023-04-01
TRILOG Broadband Antenna	Schwarzbeck	VULB 9163	01111	2019-09-12	2022-09-11
Horn Antenna	Schwarzbeck	BBHA 9120D	1594	2020-12-17	2023-12-16
Software	R&S	EMC32	10.35.10	/	/

*****END OF REPORT *****



ANNEX A: The EUT Appearance

The EUT Appearance are submitted separately.



ANNEX B: Test Setup Photos

The Test Setup Photos are submitted separately.