



**South
star**

Shenzhen South Star Technology Co. Ltd.
Shanghai South Star Technology Co. Ltd.

SPECIFICATION FOR APPROVAL

CUSTOMER :	德明通讯
PART NAME :	CH630-sabre
PART NO. :	BT (2.4G)
NDX NO. :	W01-0573-R0A
REV. :	

	MANUFACTURERR SIGNATURE	CUSTOMER SIGNATURE
APPROVED BY:		
DATE:		

Shenzhen southstar technology.co.,LTD

深圳市南斗星科技有限公司

Address: No.1606,Build C6,HengFeng industrial city,xixiang street,baoan district,Shenzhen

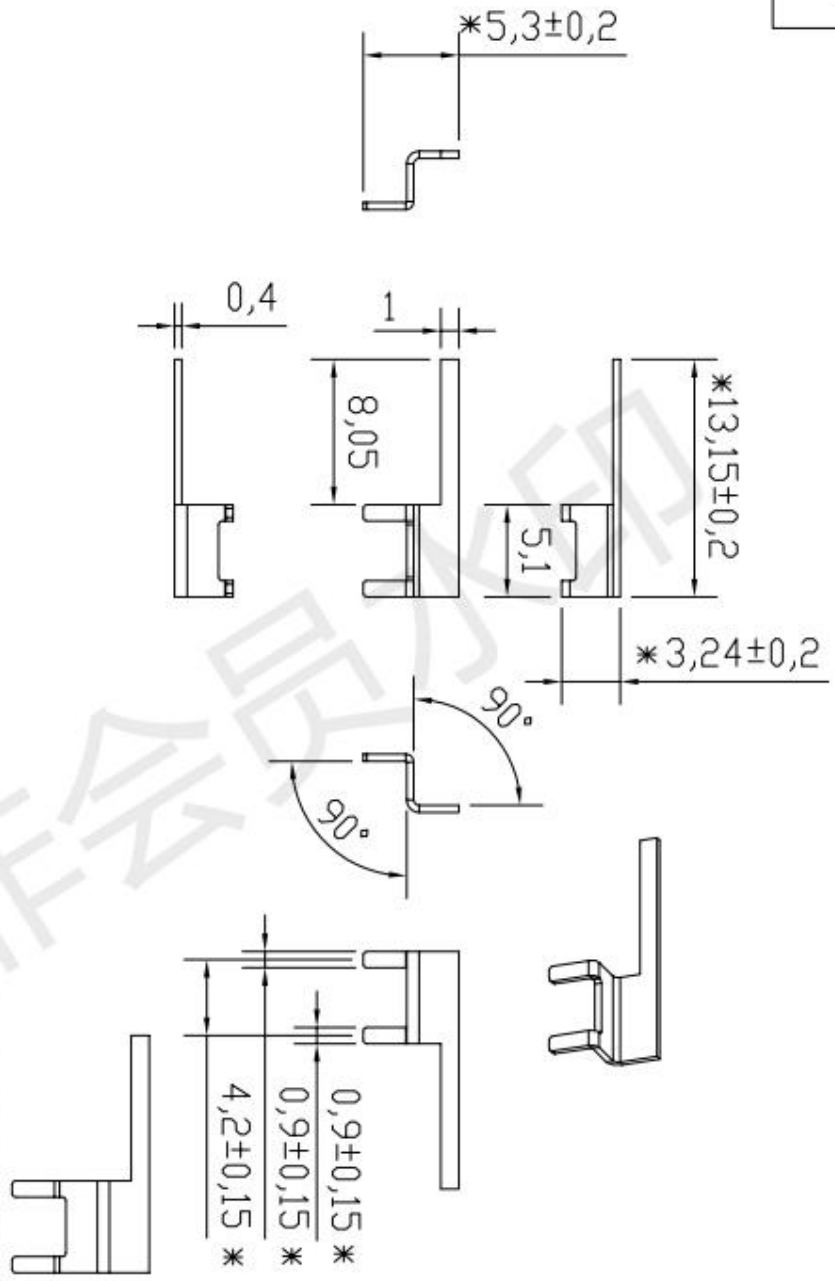
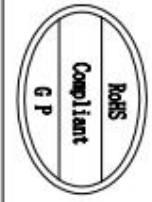
Shenzhen southstar technology co., LTD. Shanghai branch

深圳市南斗星科技有限公司上海分公司

103B, Build10, No.198 Zhang Heng Road , Pudong New Area,Shanghai

CONTENTS

Item	Description	Page
1.天线规格表.....	1
2.测试报告	3~10



1:1 展开图, 仅供参考

备注:
1. 材料: 洋白铜, T=0.4; 字体和标识为钢印
. 安规要求: ROHS
. 品质要求按照南斗星《IQC进料检验规范》执行

Rev		Description		Date	Remark	Location		5		6		7		8	
1		New drawing				N/A		N/A		DWG No.		W01-0573-ROA		A	

Project		Date	
CH630-sahre		2019.10.29	
Part Name		Designed by	
BT天线		MD 尹增平	
Part No.		Checked by	
W01-0573-ROA		RF 毛惠涛	
Material		Approved by	
洋白铜			
DWG No.		Scale	
W01-0573-ROA		1:1	
		Rev	
		A	

深圳南斗星科技有限公司
SHEN ZHEN SOUTHSTAR CO., LTD

Antenna Assembly

Specification(With housing)

1.Electrical Properties

1.1 Frequency range.....	2.412~2.472GHz
1.2 Impedance.....	50Ω Norminal
1.3 VSWR	<2
1.4 Radiation.....	Omni
1.5 Polarization.....	Linear
1.6 Admitted Power.....	1W
1.7 Connector.....	MHF

2.Physical Properties

2.1 Working Temperature.....	-20°C~+65°C
2.2 Storage Temperature.....	-30°C~+75°C



**South
star**

Shenzhen South Star Technology Co. Ltd.
103B, Build10, No.198 Zhang Heng Road ,
Pudong New Area, Shanghai

Antenna Design for CH630-sabre

Document Number	NDX-191029
Released Date	29/10/2019
Author	Huitao Mao
Review By	Zhongyi Zhao

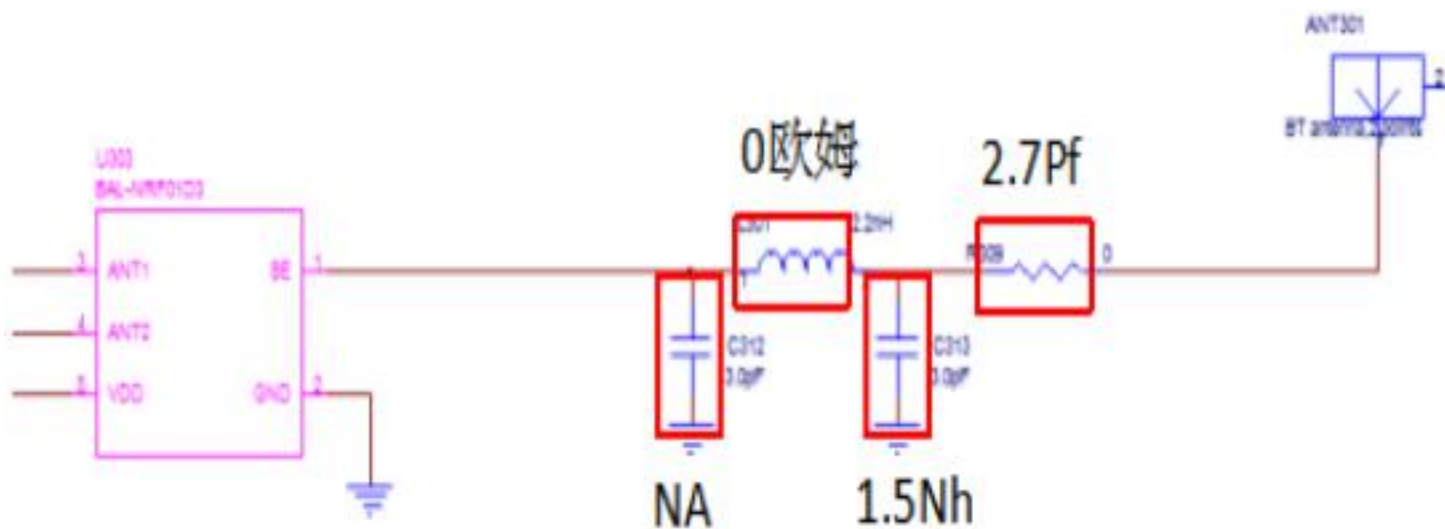


**South
star**

Shenzhen South Star Technology Co. Ltd.

103B, Build10, No.198 Zhang Heng Road ,

Pudong New Area, Shanghai

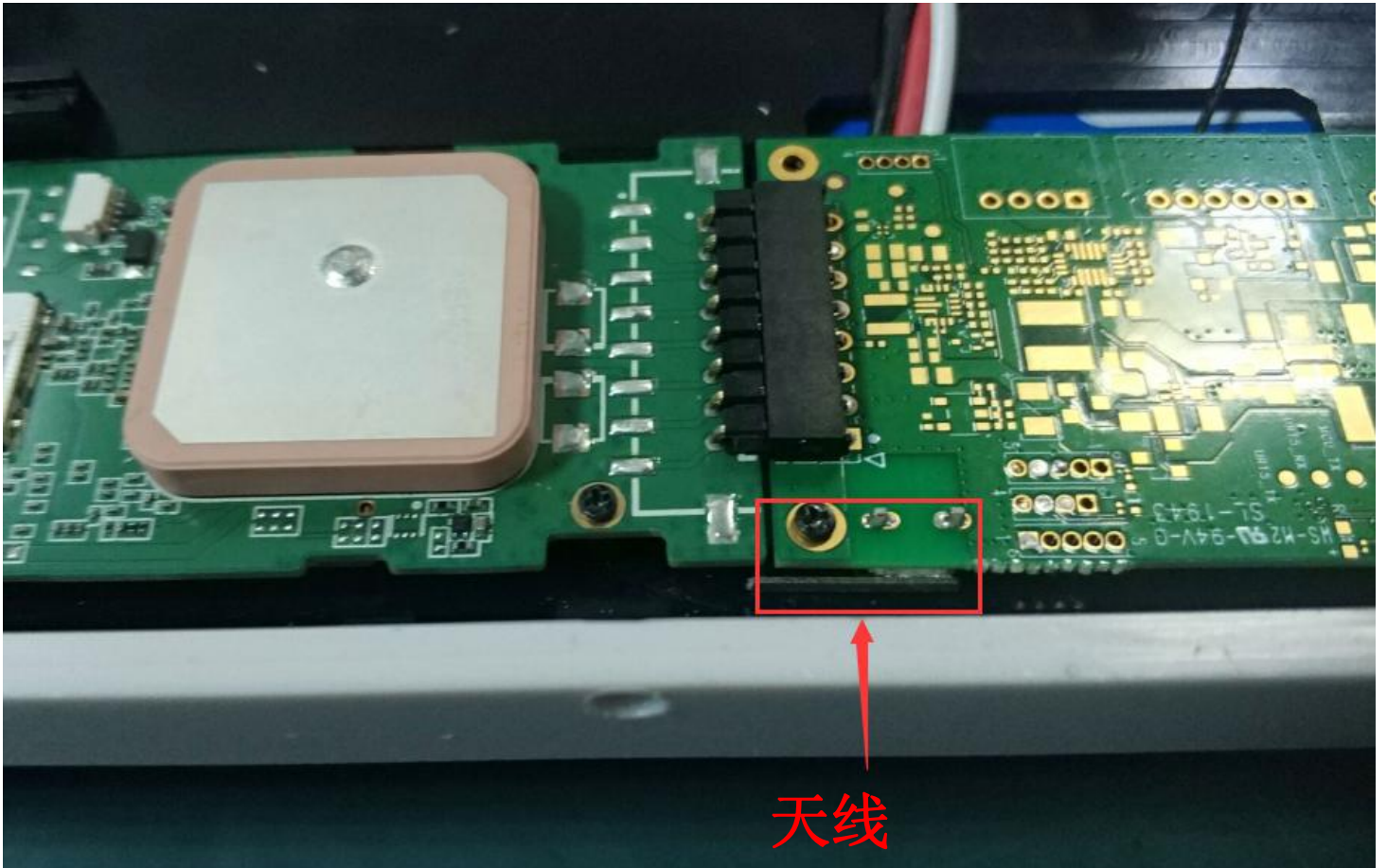




**South
star**

Shenzhen South Star Technology Co. Ltd.
103B, Build10, No.198 Zhang Heng Road ,
Pudong New Area, Shanghai

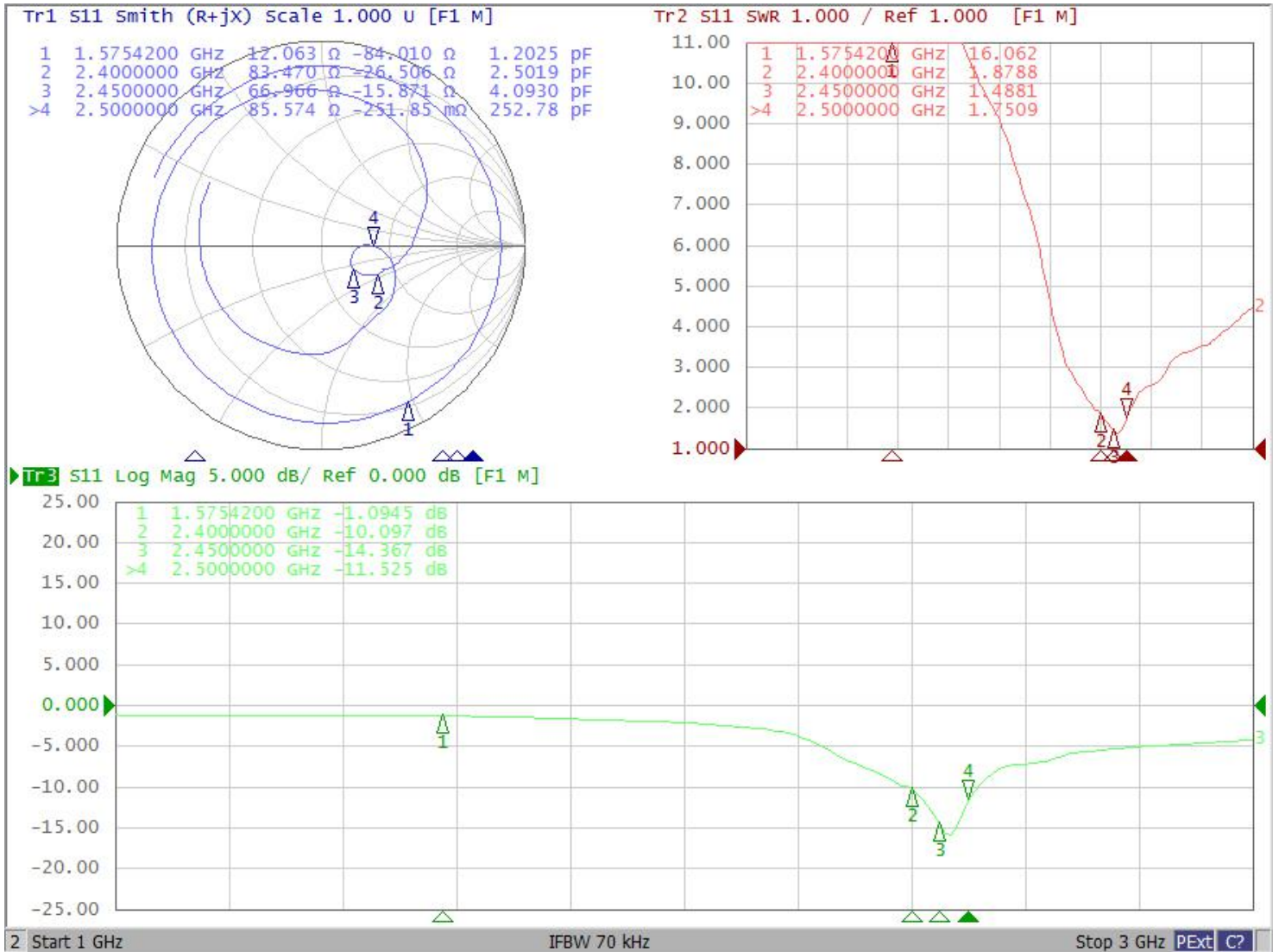
1. Antennas' setup and environment With housing





2. Analyzer Measurement

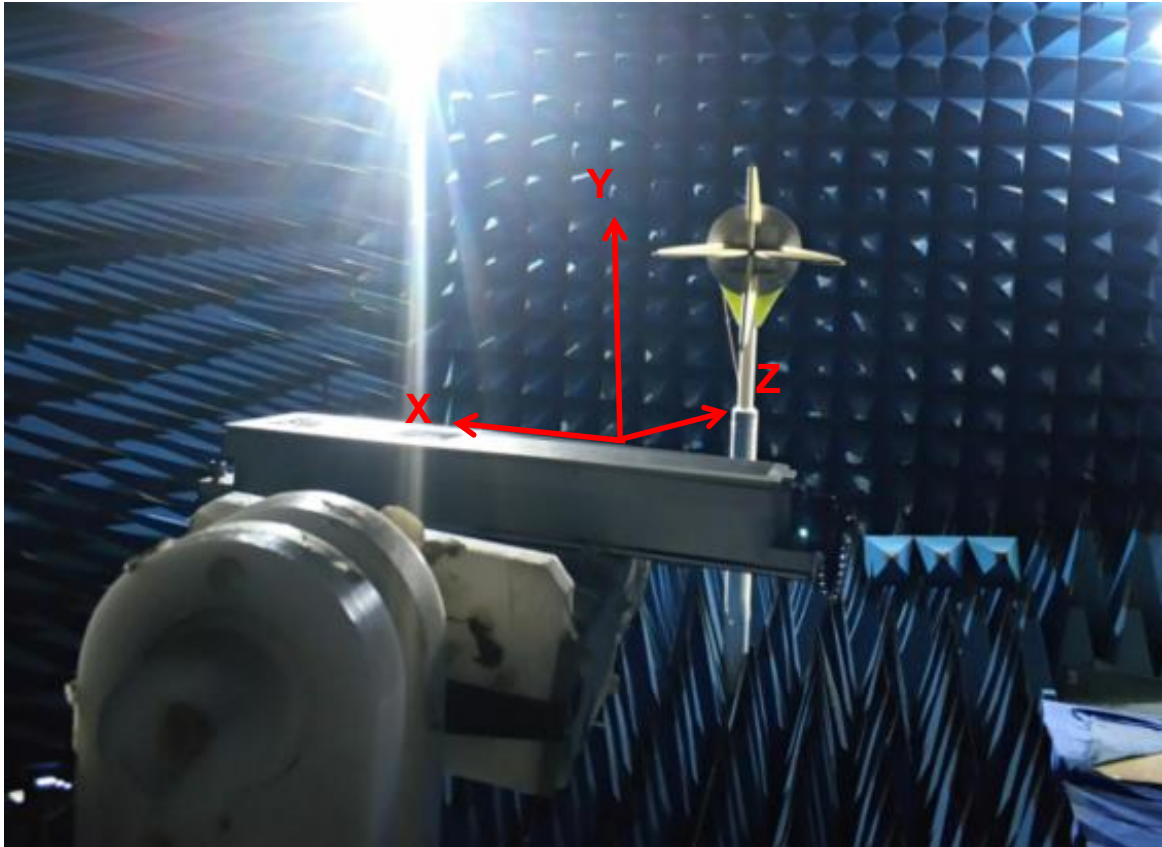
2.1 Ant 2.4GWIFI & BT passive test results





3. Gain & Patterns test results

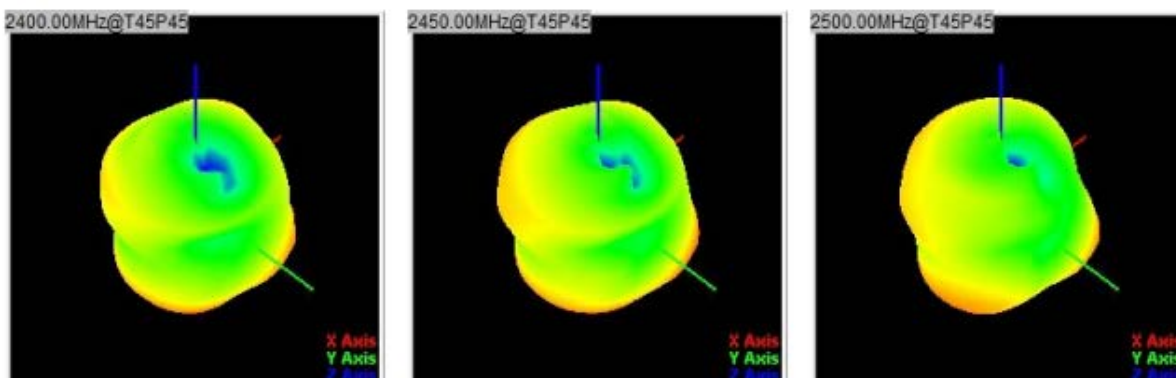
3.1 Measurement setting



BT:

Freq.(MHz)	2400	2450	2500
VSWR	1.87	1.48	1.75
Gain(dBi)	0.23	0.35	0.25
Eff.	35.9%	38.7%	33.6%

Radiation patterns:3D



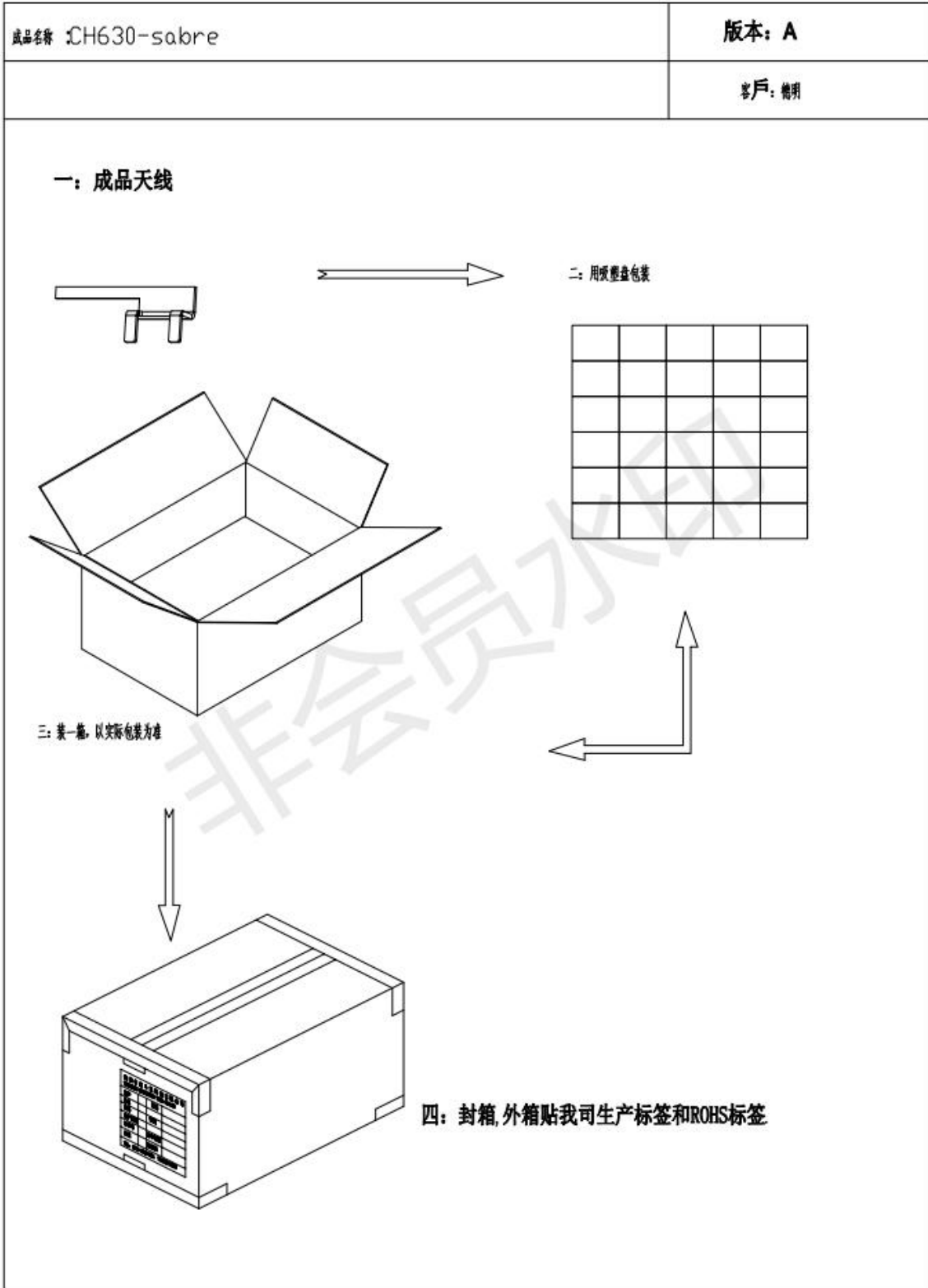
5. packing



由 Autodesk 教育版产品制作
产品包装规范

日期: 2019.10.29

page: 1 of 1



批准: _____

确认: _____

拟制: _____

尹增平