



**South
star**

Shenzhen South Star Technology Co. Ltd.
Shanghai South Star Technology Co. Ltd.

SPECIFICATION FOR APPROVAL

CUSTOMER :	德明通讯
PART NAME :	CH630-sabre
PART NO. :	WIFI (2.4G)
NDX NO. :	W01-0573-R0A
REV. :	

	MANUFACTURERR SIGNATURE	CUSTOMER SIGNATURE
APPROVED BY:		
DATE:		

Shenzhen southstar technology.co.,LTD

深圳市南斗星科技有限公司

Address: No.1606,Build C6,HengFeng industrial city,xixiang street,baoan district,Shenzhen

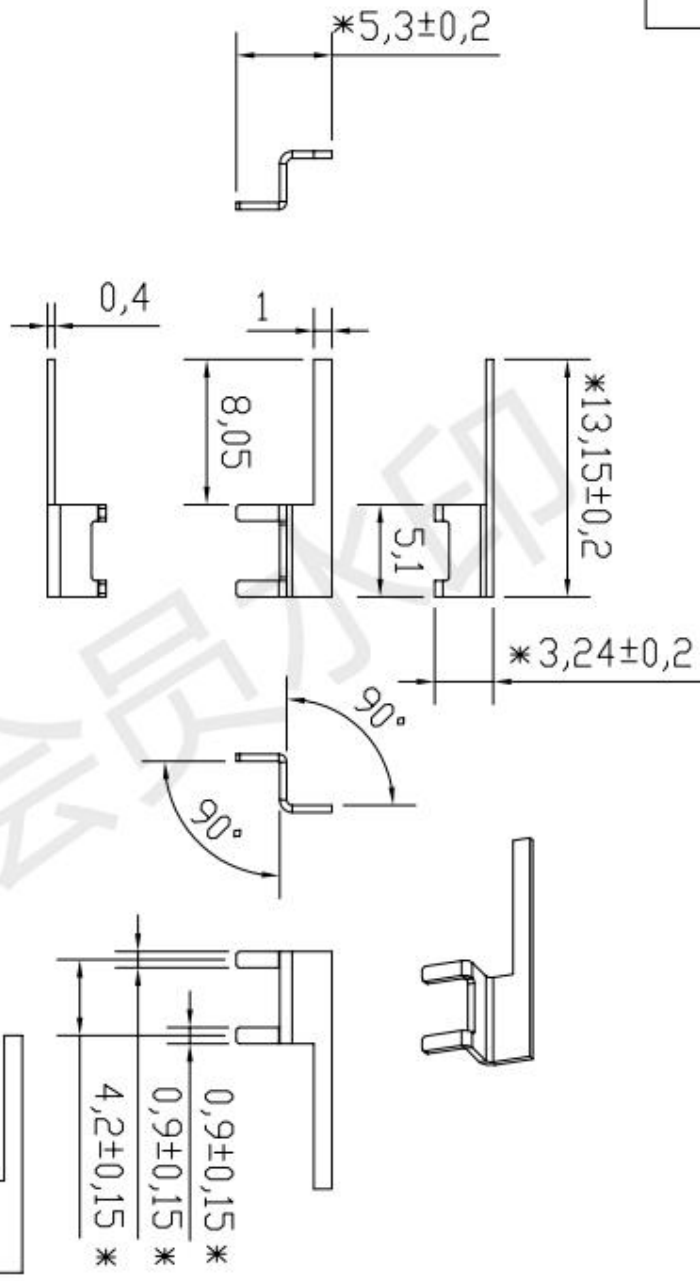
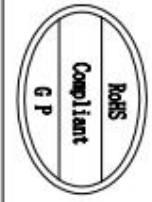
Shenzhen southstar technology co., LTD. Shanghai branch

深圳市南斗星科技有限公司上海分公司

103B, Build10, No.198 Zhang Heng Road , Pudong New Area,Shanghai

CONTENTS

Item	Description	Page
1.天线规格表.....	1
2.测试报告	3~10



备注:

1. 材料: 洋白铜, T=0.4; 字体和标识为钢印
2. 规范要求: ROHS
3. 品质要求按照南斗星《IQC进料检验规范》执行

1:1 展开图, 仅供参考

深圳南斗星科技有限公司
SHEN ZHEN SOUTHSTAR CO., LTD

Rev	1	2	3	4	5	6	7	8
Description								
Date								
Remark								
A	New drawing							

Third Angle	Project	Date	2019. 10. 29
0~10 ±0.05	CH630-sahre	Designed by	
10~18 ±0.10	BT天线	Checked by	尹增平
18~30 ±0.10	W01-0573-ROA	Material	毛惠涛
30~40 ±0.12	洋白铜	DMG No.	W01-0573-ROA
40~ ±0.20	angle	Approved by	
	N/A	Unit	mm
		Scale	1:1
		Rev	A

Antenna Assembly

Specification(With housing)

1.Electrical Properties

1.1 Frequency range.....	2.412~2.472GHz
1.2 Impedance.....	50Ω Norminal
1.3 VSWR	<2
1.4 Radiation.....	Omni
1.5 Gain(Peak).....	3dBi
1.6 Polarization.....	Linear
1.7 Admitted Power.....	1W
1.8 Connector.....	MHF

2.Physical Properties

2.1 Working Temperature.....	-20°C~+65°C
2.2 Storage Temperature.....	-30°C~+75°C



**South
star**

Shenzhen South Star Technology Co. Ltd.
103B, Build10, No.198 Zhang Heng Road ,
Pudong New Area, Shanghai

Antenna Design for CH630-sabre

Document Number	NDX-191029
Released Date	29/10/2019
Author	Huitao Mao
Review By	Zhongyi Zhao

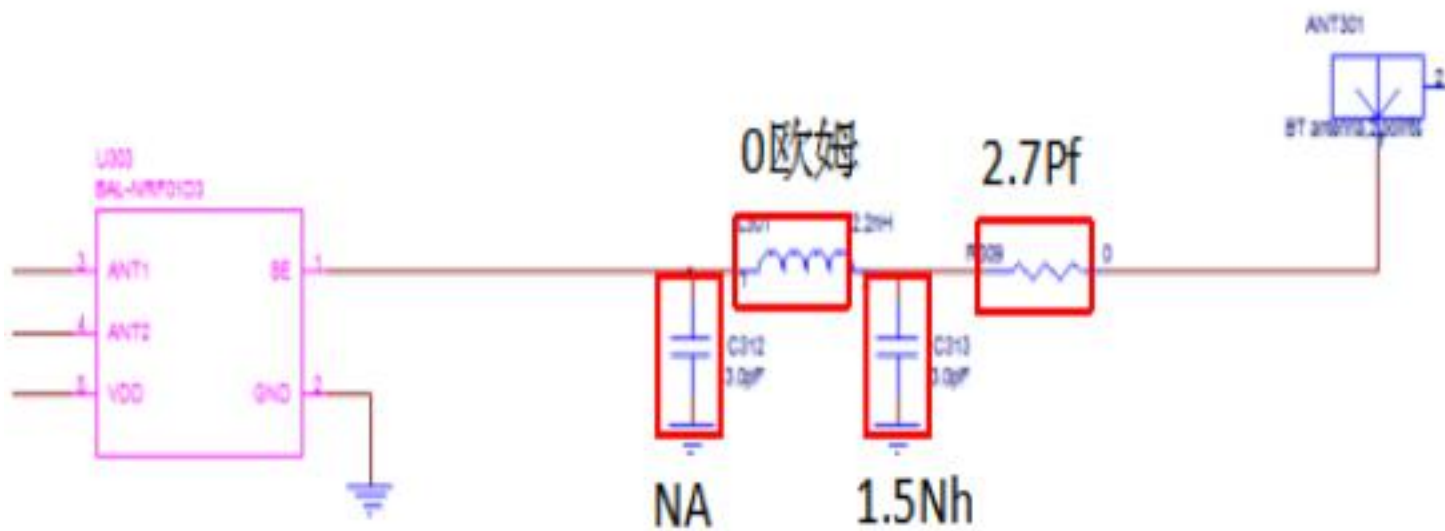


**South
star**

Shenzhen South Star Technology Co. Ltd.

103B, Build10, No.198 Zhang Heng Road ,

Pudong New Area, Shanghai

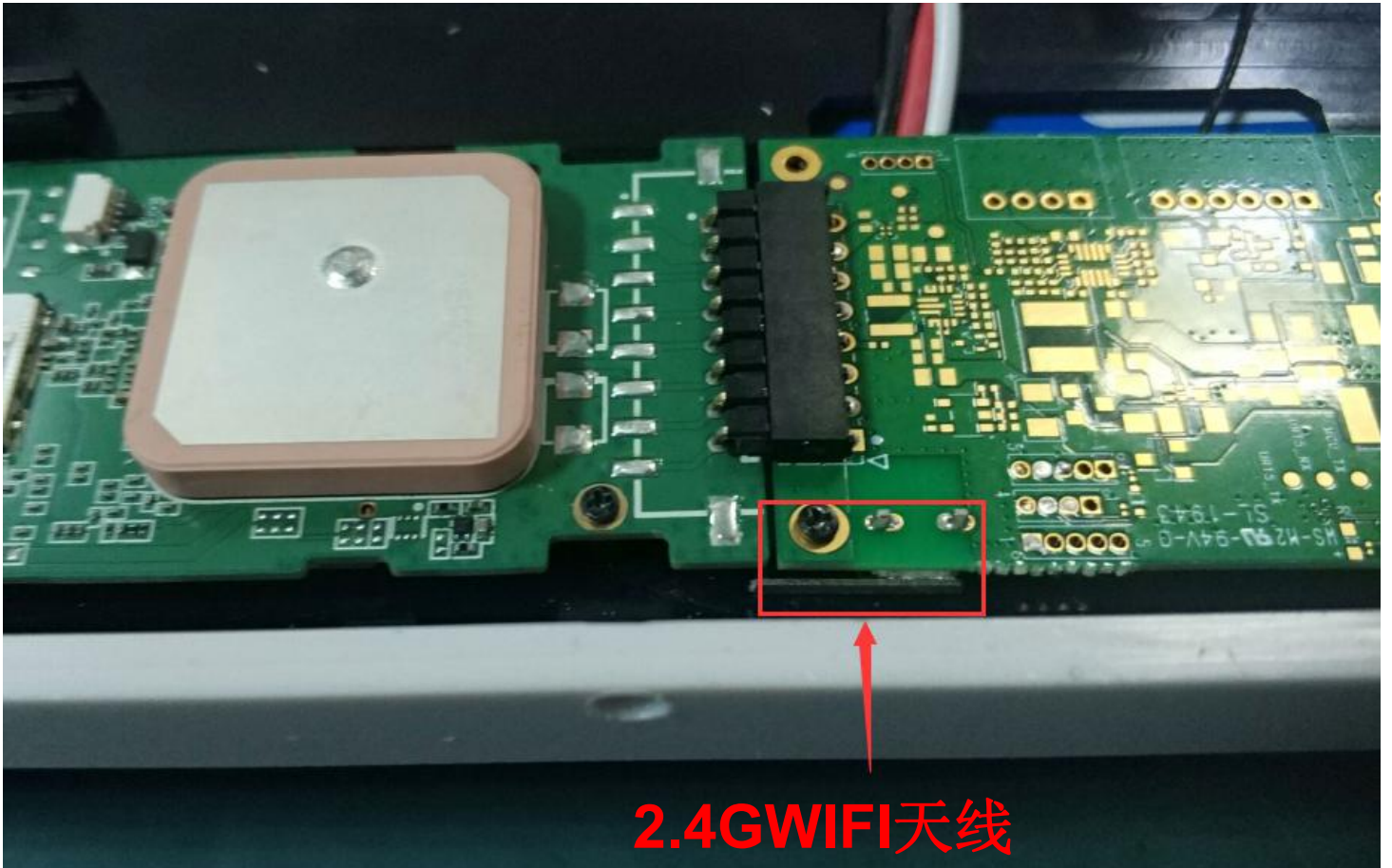




**South
star**

Shenzhen South Star Technology Co. Ltd.
103B, Build10, No.198 Zhang Heng Road ,
Pudong New Area, Shanghai

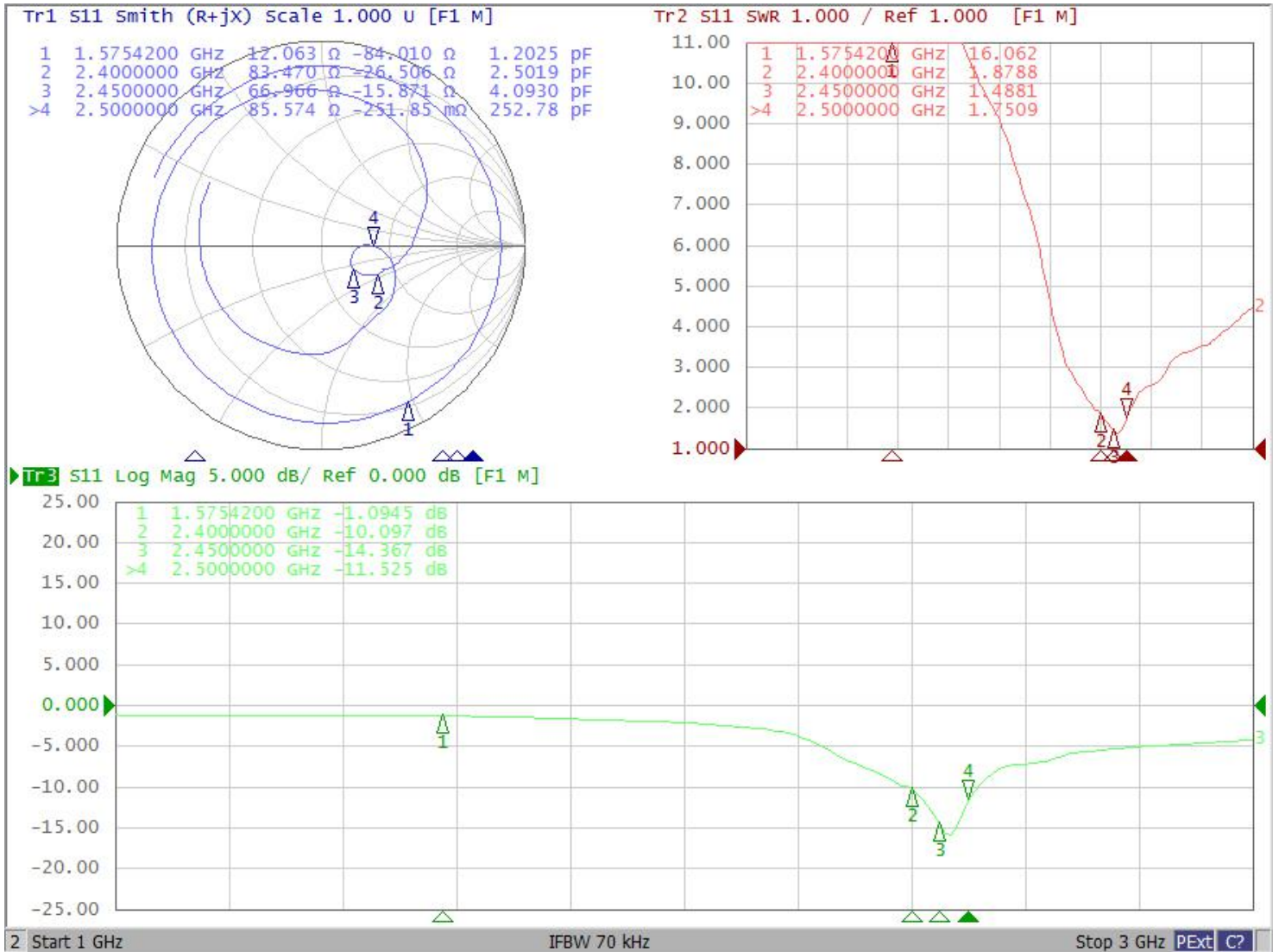
1. Antennas' setup and environment With housing





2. Analyzer Measurement

2.1 Ant 2.4GWIFI passive test results



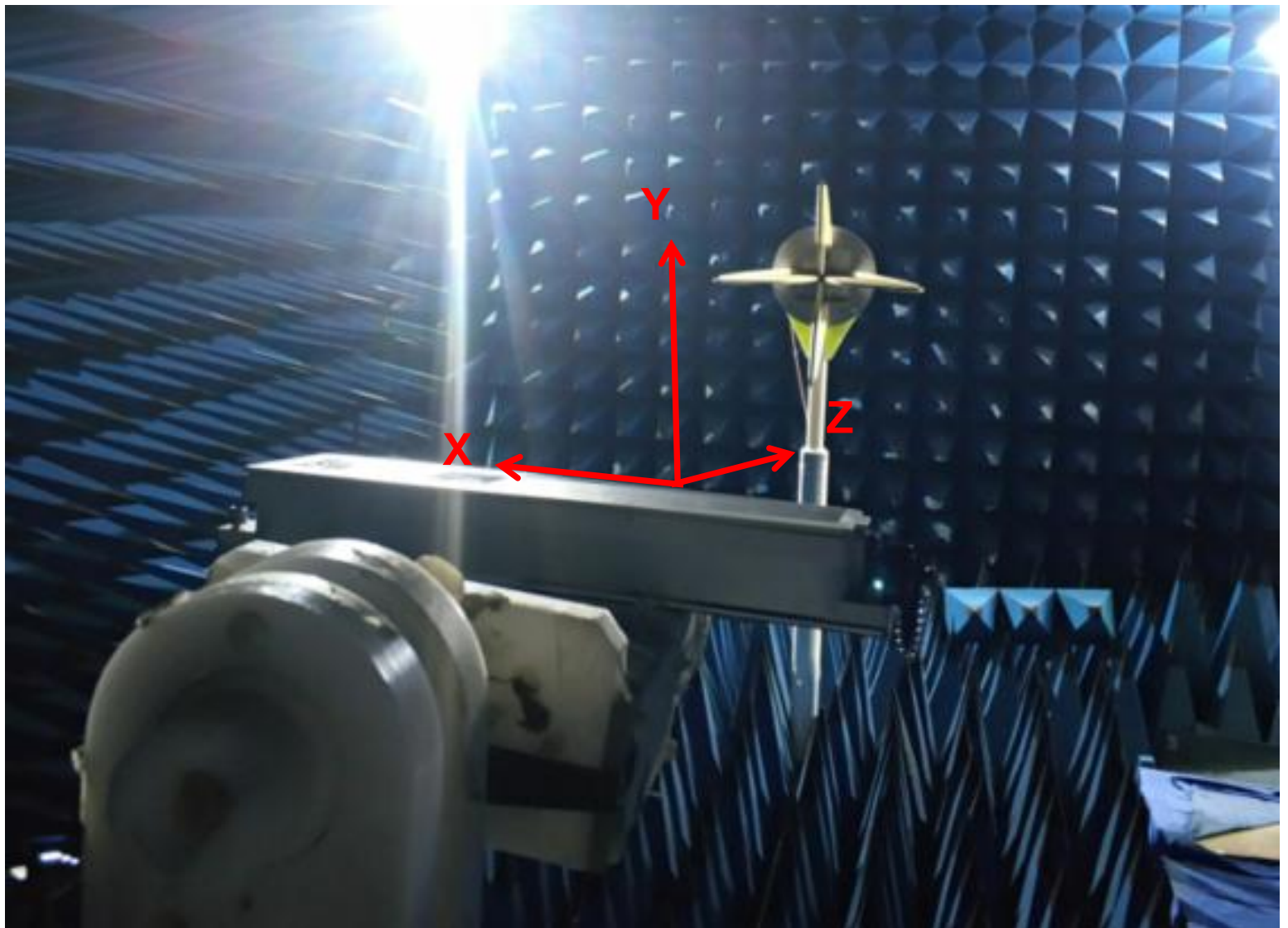


**South
star**

Shenzhen South Star Technology Co. Ltd.
103B, Build10, No.198 Zhang Heng Road ,
Pudong New Area, Shanghai

3. Gain & Patterns test results

3.1 Measurement setting





4. 2.4G WIFI Peak Gain & Efficiency

Freq (MHz)	Effi (%)	Gain (dBi)
2400	37.91	0.9
2410	39.52	1.1
2420	44.63	1.53
2430	43.11	1.46
2440	43.66	1.44
2450	41.53	1.59
2460	44.06	2.03
2470	44.11	2.19
2480	43.53	2.41
2490	42.31	2.75
2500	40.13	2.63

