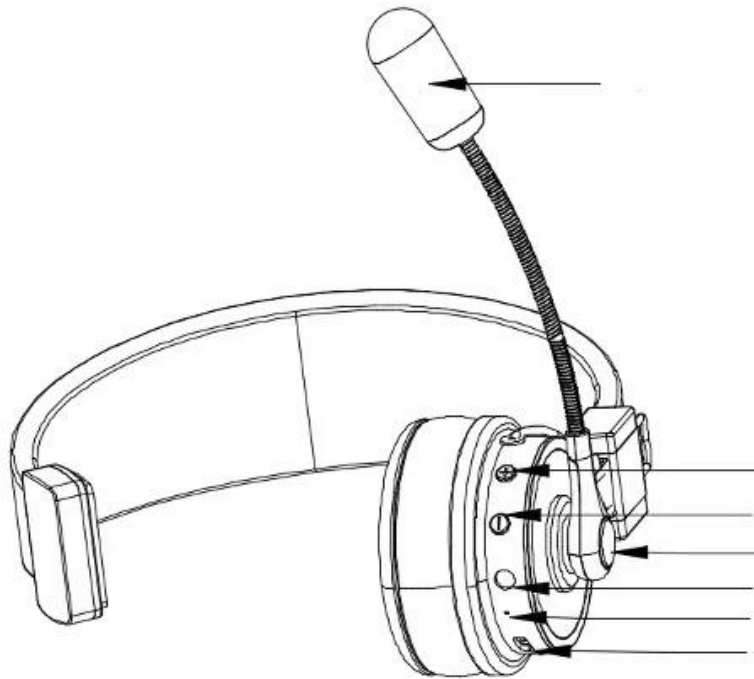


User Manual
Elite Ultra 2.0

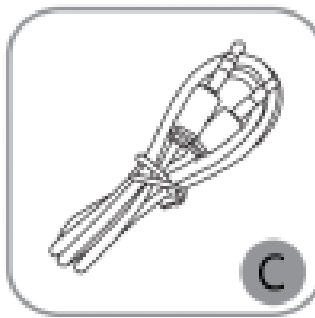
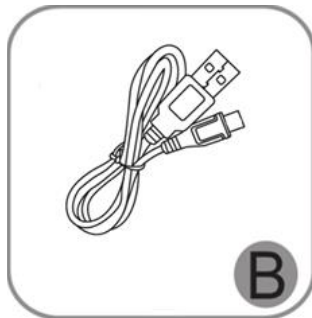
-

1. Product Overview



Packing list:

- A. Elite Ultra 2.0 bluetooth headset 1pcs
- B. Tybe-C 1pcs
- C. 3.5mm line in 1pcs
- D. user manual 1pcs



2. operational specification

keys	function	Method of operation
Multi function key	Turn on	Hold down the Multifunction button for 3-4 seconds. When there is no pairing record, the startup automatically enters the pairing state. When there is pairing
	Turn off	When the device is powered on, long press the Multifunction button for 5 seconds to shut down the device
	Pairing	a. When there is no pairing record, the system automatically enters the pairing state after starting the system b. When there is pairing record, long press the "Multi-function button" for 5-8 seconds in the shutdown state to force the headset to enter the pairing state
	Redial the last number	When the phone is connected and in standby or music state, double-click the "Multi-function button" to redial the last contact number of the phone
	Voice dialing	In the connected state, press the "Multi-function button" to activate the voice dialing function of the mobile phone (the mobile phone needs to support this function).
	Answer the phone	When an incoming call comes in, press the Multi-function button to answer the call
	Hang up the phone	During a call, press the Multi-function button to hang up the call
	Refusing to answer the phone	When an incoming call comes in, long press the Multi-Function button for 1 second to reject the call

	Three-party call function	<p>a. If you have an incoming call during the call, you can press the Multi-function button to hang up the call and connect to the new call</p> <p>b. If an incoming call occurs during a call, double-click the Multi-function button to hold the current call and reject the incoming call</p> <p>c. When an incoming call comes in, hold the call and answer the call by holding the Multifunction button for one second</p> <p>d. During a three-party call, hold down the Multifunction button for 1 second to switch between the hold call and the current call</p> <p>e. During a three-party call, press the Multi-function button to end the call and keep the call (Three-party call requires mobile phone support).</p>
Volume plus	Volume increase	When playing music or during a call, press the Volume Plus button to increase the volume
	Next song	Long press the Volume Plus button for 1 second to switch to the next song
Reduction in volume	Decrease the volume	When playing music or making a call, press the Volume Reduction button to reduce the volume
	last song	Long press the Volume Reduction button for 1 second to switch to the previous
Mute button	Microphone silencing	During a call, double click the Mute button to mute the MIC, and double click the Mute button again to unmute the MIC
	Play/pause	When playing music, long press the Mute button for about 1 second to pause/play music
Key combination	Change of language	Under the startup state, long press the "Add" button and the "Mute" button of the microphone lever for 1 second at the same time to switch back and forth the prompted voice language (English, French, Spanish three languages cyclic switch).
	Clear the pairing	To clear the pairing record, hold down the "Volume up" and "Volume down" buttons for 5 seconds

3. Pairing and Connecting

A. In the off state, long press the multi-function button for 5-8 seconds, the headset enters the pairing state, and the red and blue lights flash alternately.

B. Turn on the Bluetooth of the mobile phone and click Search. When "Elite Ultra 2.0" appears, click the pairing connection successfully, and the phone displays that "Elite Ultra 2.0" is connected

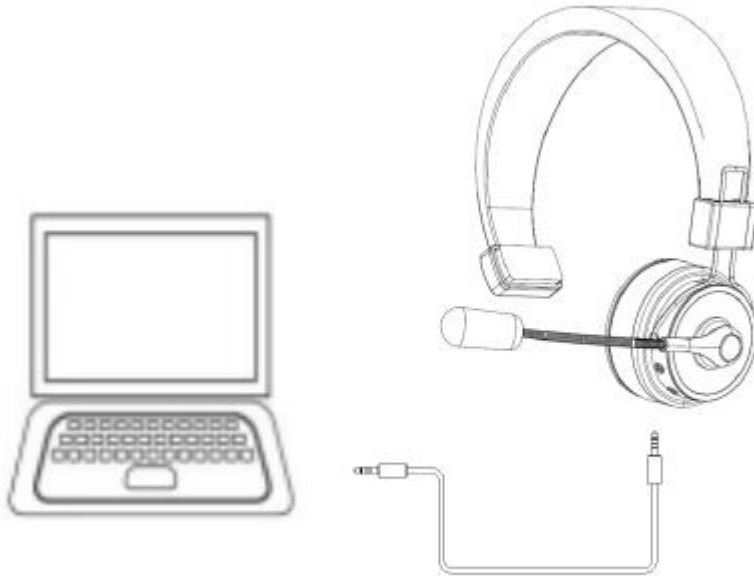
C. You can use the Multi-function button, Volume Plus button, Volume minus button, and Mute button on the Bluetooth headset to control the answering, hanging up, playing/pausing of music, up-and-down music, volume plus or minus, and microphone mute functions.

4. One drag two use method

- A. The mobile phones connected to Elite Ultra are divided into two types: A and B;
- B. Connect to host A first, turn on the Bluetooth headset to enter the pairing state, turn on the Bluetooth function of the mobile phone, search for "EliteUltra2.0" and tap Connect. After the connection is successful, turn off the Bluetooth function of host A, and the EliteUltra2.0 automatically enters the pairing mode.
- C. Use host B to connect to Elite Ultra2.0. After the connection is successful, enable the Bluetooth function on host A and click Elite Ultra2.0 for connection (some mobile phones may have the auto-connect function).
- D. Please note that only one machine can play music at the same time between machine A and machine B that has been successfully connected. The first machine can play music. If the other wanted to play, it could only pause or turn off the music from the previous one.



- A. Plug one end of the original four 3.5mm audio cables into the audio port of the headset and the other end into the audio port of the computer.
- B. The computer plays music or makes Internet calls. You can listen to the music through the headset and make calls through the MIC of the headset

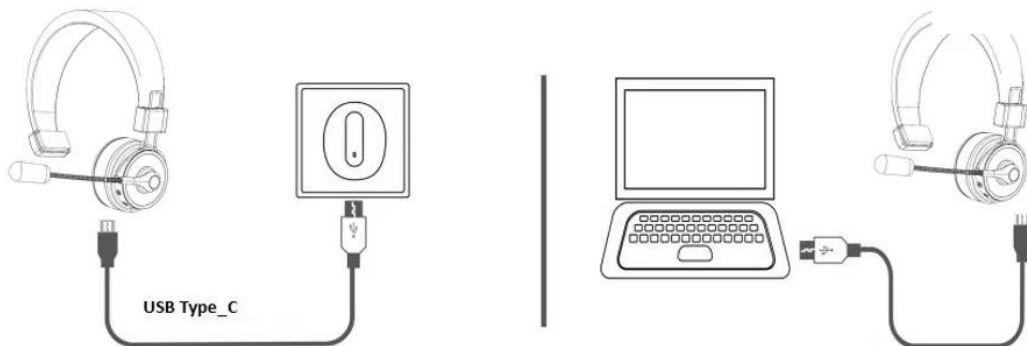


7. charging

When the Elite Ultra 2.0 battery is low, the red light blinks. Please charge it immediately. The charging time is about 2 hours.

Charging connection

Please connect the Type-C head of the Type-C charging cable to the "Elite Ultra 2.0" charging port, and the USB head to the USB charger (car charge, travel charge, computer USB, etc.).



8. Product Specifications

Bluetooth version	V5.2
Bluetooth chip	BT8925B2
Distance of communication	10m
Bluetooth protocol	HSP HFP A2DP AVRCP
Mode of decoding	AAC SBC
Built-in battery	420mAh /3.7V
Charge time	2 hours
Standby time	300 hours
Time for music	30 hours
Talk time	20 hours

NOTE: This equipment has been tested and found to comply with the limits for a Class B digital device, pursuant to part 15 of the FCC Rules. These limits are designed to provide reasonable protection against harmful interference in a residential installation. This equipment generates uses and can radiate radio frequency energy and, if not installed and used in accordance with the instructions, may cause harmful interference to radio communications. However, there is no guarantee that interference will not occur in a particular installation. If this equipment does cause harmful interference to radio or television reception, which can be determined by turning the equipment off and on, the user is encouraged to try to correct the interference by one or more of the following measures:

- Reorient or relocate the receiving antenna.
- Increase the separation between the equipment and receiver.
- Connect the equipment into an outlet on a circuit different from that to which the receiver is connected.
- Consult the dealer or an experienced radio/TV technician for help

Changes or modifications not expressly approved by the party responsible for compliance could void the user's authority to operate the equipment.

This device complies with Part 15 of the FCC Rules. Operation is subject to the following two conditions:

(1) this device may not cause harmful interference, and (2) this device must accept any interference received, including interference that may cause undesired operation.

This device contains licence-exempt transmitter(s)/receiver(s) that comply with Innovation, Science and Economic Development Canada's licence-exempt RSS(s). Operation is subject to the following two conditions:

(1) This device may not cause interference.

(2) This device must accept any interference, including interference that may cause undesired operation of the device.

L'émetteur/récepteur exempt de licence contenu dans le présent appareil est conforme aux CNR d'Innovation, Sciences et Développement économique Canada applicables aux appareils radio exempts de licence. L'exploitation est autorisée aux deux conditions suivantes :

(1) L' appareil ne doit pas produire de brouillage;

(2) L' appareil doit accepter tout brouillage radioélectrique subi, même si le brouillage est susceptible d' en compromettre le fonctionnement.