

PIN GENIE, INC. DBA LOCKLY
 555 California Street, Suite 4925, San Francisco, CA94104

Date: 2020-03-25

Timco Engineering, Inc.
 849 NW State Road 45
 P.O. Box 370
 Newberry, Florida 32669

We, the undersigned hereby declare, that the following radio equipment:

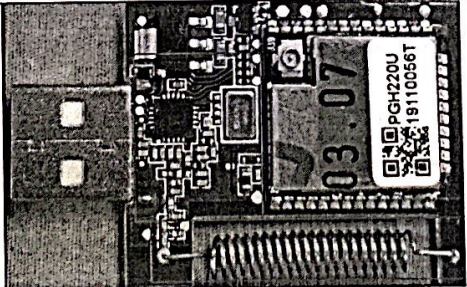
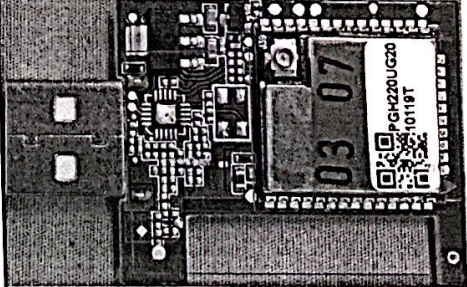
FCC ID : 2ASIVPGH200
 Model : PGH200G20
 Product Name: WIFI & BLE Gateway; USB-A plug input 5V

is electrically equal to the original equipment:

FCC ID : 2ASIVPGH200
 Model : PGH200
 Product Name: WIFI & BLE Gateway; USB-A plug input 5V

The EUT are electronically/electrically different to the original equipment but it doesn't affect the test results, so that the original test results continue to be representative of and applicable to it.

List of Differences for FCC ID: 2ASIVPGH200

Location	Model: PGH200 PCB of FCC ID: 2ASIVPGH200	Mode2: PGH200G20 PCB of FCC ID: 2ASIVPGH200
433MH Receiving circuit	 <p>With 433MHz receiving circuit</p>	 <p>Without 433MHz receiving circuit</p>

Sincerely,

PIN GENIE, INC. DBA LOCKLY

Cindy Zhou
 (Cindy Zhou)
 (COO)