

FCC Class II Permissive Change Application Letter

FEDERAL COMMUNICATIONS COMMISSION
AUTHORIZATION AND EVALUATION DIVISION
7435 OAKLAND MILLS ROAD
COLUMBIA, MD 21046

To Whom It May Concern:

This is to request a Class II permissive change, the following the original equipment:

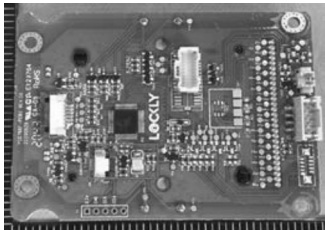
Product name : Electronic Deadbolt lock with FP/BLE/Z-WAVE

FCC ID: 2ASIVPGD768FNP

Date of Grant: 12/15/2020


Model No.: PGD768FNP

Change Contents: update the PCB as below:

Location	Old PCB of FCC ID: 2ASIVPGD768FNP	New PCB of FCC ID: 2ASIVPGD768FNP
Model No.	There is only one model: PGD768FNP	Adding Model(s): PGD728F ZP, PGD728F ZPU, PGD728F Z, PGD728 ZP, PGD728 ZPU, PGD728 Z
Fingerprint Module	PGD728F ZP, PGD728F ZPU, PGD728F Z are the same as original equipment, while PGD728 ZP, PGD728 ZPU, PGD728 Z have no Fingerprint module and its power switch control circuit: Fingerprint module and its power switch control circuit: 	
Modifications that do not change the fundamental RF characteristics and that do not degrade the unwanted emissions of the certified product, please refer to test report for more details; Modifications that do not change physical characteristics significantly. We attach new photographs to identify the modified product.		

Sincerely,

PIN GENIE, INC. DBA LOCKLY



Cindy zhou/COO