

# 规格承认书

## SPECIFICATION FOR APPROVAL

日期 Date	2023/09/08
编号 File No	23090801
版本 Revision	1.0

客户  
CUSTOMER: SMART ELECTRONIC INDUSTRIAL CO., LTD.

客户料号  
CUSTOMER NO: ETGD668F00011-JLY

品名  
PART NAME: 908.4MHz Antenna L=30mm

供方料号  
SUPPLIER NO:

送样日期Date: 送样数量Q “TY:

客户确认 CUSTOMER APPROVED BY		
APPROVAL	CHIEF	SUPERVISOR

供方确认 SUPPLIER SIGNATURE		
APPROVAL	CHECK	DESIGN
ChenGuoqiang	WenXue	ChenXingcheng

YJ-RD-F04-A

# 承认书项目表

NO	内容 (Contents)	页数 (Number of Page)	页码 (Page Code)
1	承认书封面 (Spec Cover)	1	1
2	承认书项目表 (Spec Item)	1	2
3	工程成品图 (Drawing)	1	3
4	天线规格 (Antenna Specification)	1	4
5	S参数测试 (S Parameter)	1	5
6	无源测试 (Passive Test)	1	6
7	天线装配图 (Antenna Profile)	1	7
8	材质证明 (Material Certificate)	34	8 ~ 41
9	RoHS报告 (RoHS Test Report)	**	**
10	N/A	N/A	N/A
11	-	-	-
12	-	-	-
13	-	-	-

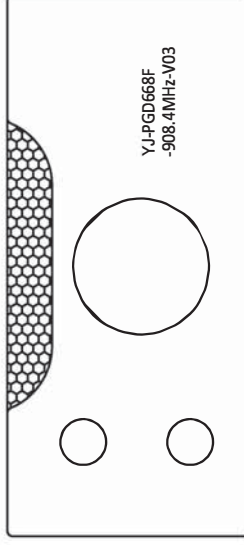
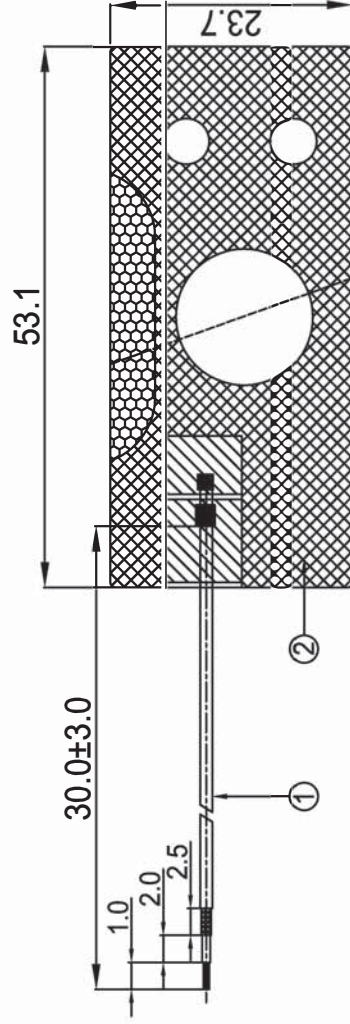
**RoHS**  
Compatible

CUSTOMER  
PART NO


REV.  
A

DESCRIPTION  
首次发行

DATE  
2023-09-08



PART NAME: 908.4MHz Antenna L=30mm

PART NO.: YJW01.029.104.301A

DATE: 2023-09-08

APPROVED BY	CHECKED BY	DESIGNED BY		Tolerance	
				UNITS: mm	X.X ±0.50
				REVISION: A	X.XX±0.15
				X° ±3°	

NO	PART NAME	DESCRIPTION	Material	Part Number	Q.TY
2	FPCB	53.1*23.7MM	FPCB	FPC1000XA.P01	1
1	Coaxial Cable	O.D.1.13 Black	O.D.1.13	COA1000XA.P01	1

# 天线规格

## Antenna Specification

### Electrical Properties

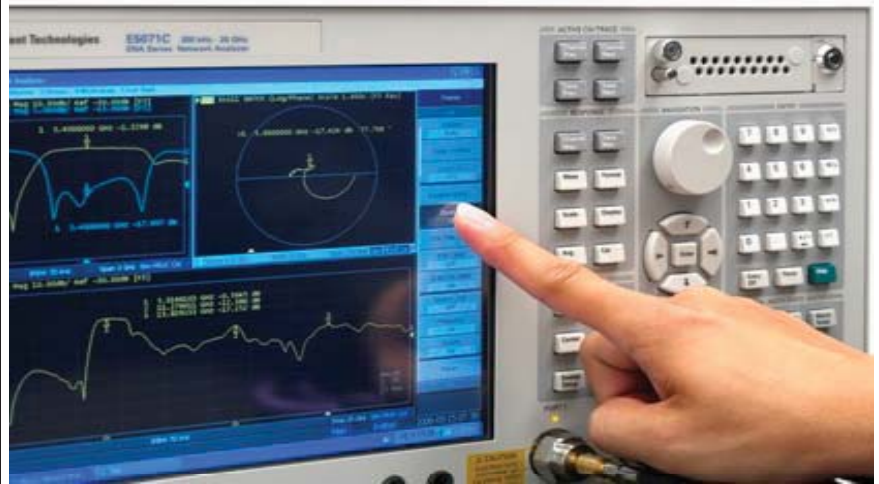
Frequency	908.4MHz
Impedance	50 Ohm Nominal
V.S.W.R	2.0 Max
Gain	-1.0 dBi
Radiation	Omni-directional
Polarization	Linear

### Physical Properties

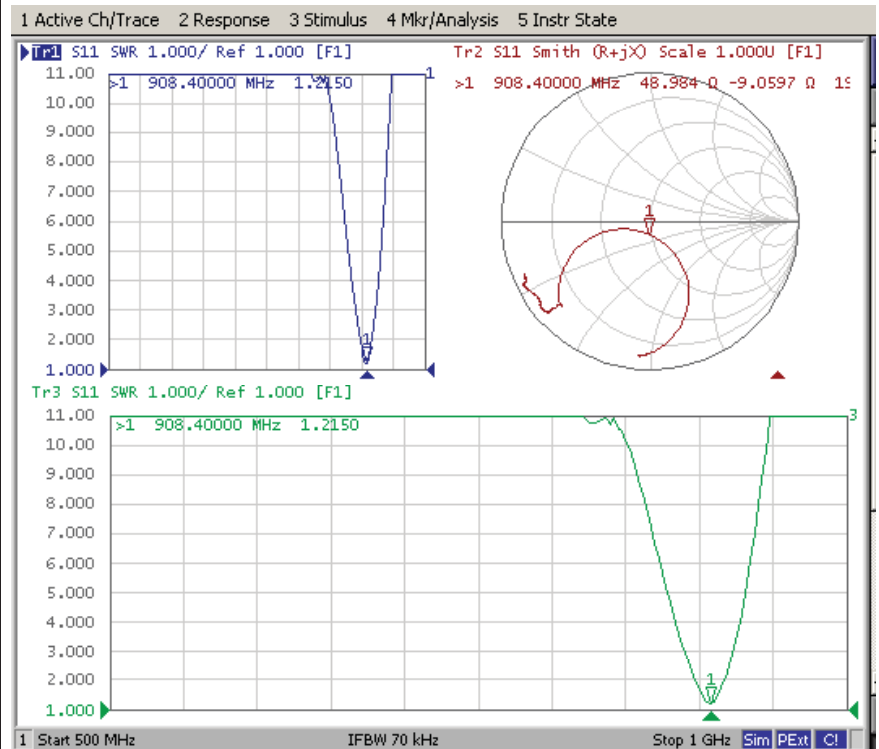
Connector	None
Cable Type	O.D.1.13mm
Cable Length	30mm
Cable Color	Black
Operating Temp.	-40 ~ +85 °C
Storage Temp / Humidity	25±5°C / <70%

# Antenna Performance Test

**Agilent  
E5071B**



**S  
Parameter  
Test //  
908.4  
MHz  
Antenna**



Passive Test For 908.4MHz

Freq (MHz)	Effi (%)	Effi (dB)	Gain (dBi)
900	18.8	-7.3	-1.3
902	19.1	-7.2	-1.2
904	19.5	-7.1	-1.1
906	20.0	-7.0	-1.0
908	20.5	-6.9	-1.0
910	20.9	-6.8	-1.1
912	21.1	-6.8	-1.1
914	21.1	-6.8	-1.2
916	20.9	-6.8	-1.3
918	20.4	-6.9	-1.5
920	19.6	-7.1	-1.7

***908.4MHz  
Antenna***

