

规格承认书

SPECIFICATION FOR APPROVAL

日期 Date 2019/08/20

编号 File N 19082001

版本 Revisio 1.0

客户 盛世科技

CUSTOMER:

客户料号 PD6N

CUSTOMER NO:

品名 BT Antenna

PART NAME:

供方料号 YJW01.029.008.301A

SUPPLIER NO:

送样日期Date: 送样数量Q"TY: PCS

客户确认CUSTOMER APPROVED BY		
APPROVAL	CHIEF	SUPERVISOR

供方确认 SUPPLIER SIGNATURE		
APPROVAL	CHECK	DESIGN
ChenGuoqiang	WenXue	ChenXingcheng

承认书项目表

NO	内容 (Contents)	页数 (Number of Page)	页码 (Page Code)
1	承认书封面 (Spec Cover)	1	1
2	承认书项目表 (Spec Item)	1	2
3	工程成品图 (Drawing)	1	3
4	天线规格 (Antenna Specification)	1	4
5	S参数测试 (S Parameter)	1	5
6	无源测试 (Passive Test)	2	6 ~ 7
7	天线图 (Antenna Profile)	1	8
8	材质证明 (Material Certificate)	11	9 ~19
9	RoHS报告 (RoHS Test Report)	-	-
10	N/A	N/A	N/A
11	N/A	N/A	N/A
12	-	-	-
13	-	-	-

RoHS
Compatible

CUSTOMER
PART NO

REV.

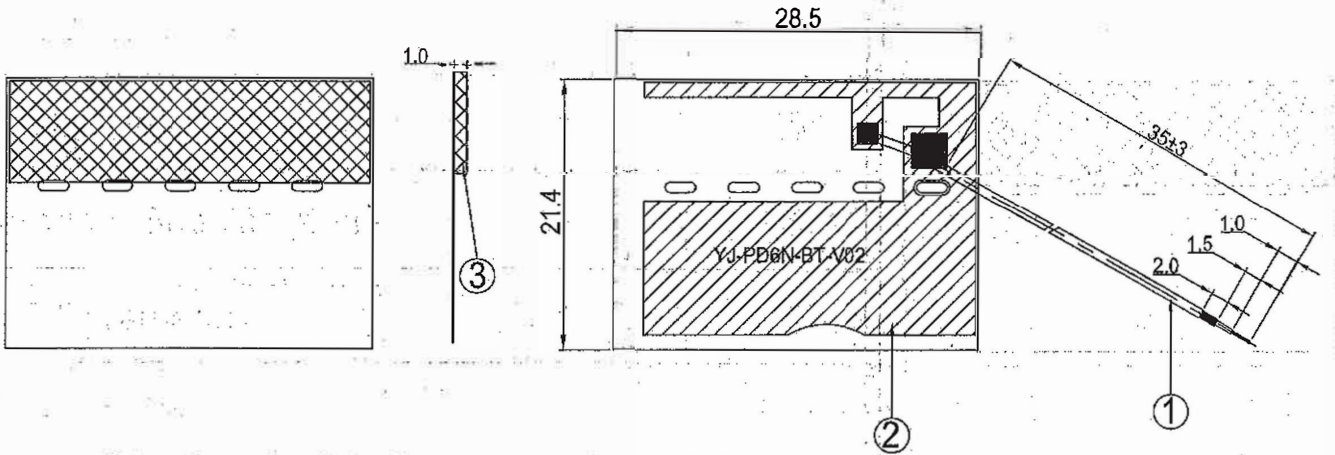
DESCRIPTION

DATE



首次发行

2019.07.26



Tel: 0769-85532057
Fax: 0769-81664308

PART NAME: BT Antenna		DATE: 2019-07-26	
PART NO.: YJW01.029.008.301A		Tolerance	
APPROVED BY	CHECKED BY	DESIGNED BY	X.X ±0.50
陈匡强	文雪	陈兴易	X.XX ±0.15
			X° ±3°
			REVISION: A

NO	PART NAME	DESCRIPTION	Material	Part Number	Q.TY
3	EVA+Paster	28.0*8.0*1.0MM	EVA+Paster	EVA10236A.P01	1
2	FPC	28.5*21.4MM	FPCB	FPC100XXA.P01	1
1	Coaxial Cable	O.D.1.13 Gray	O.D.1.13	COA100XXA.P01	1

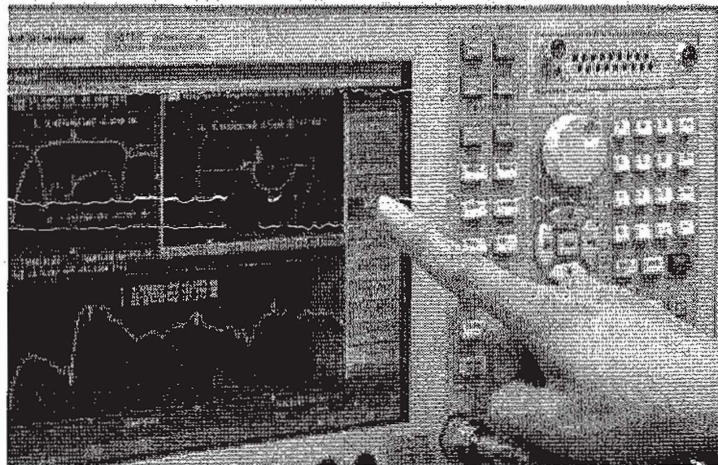
天线规格

Antenna Specification

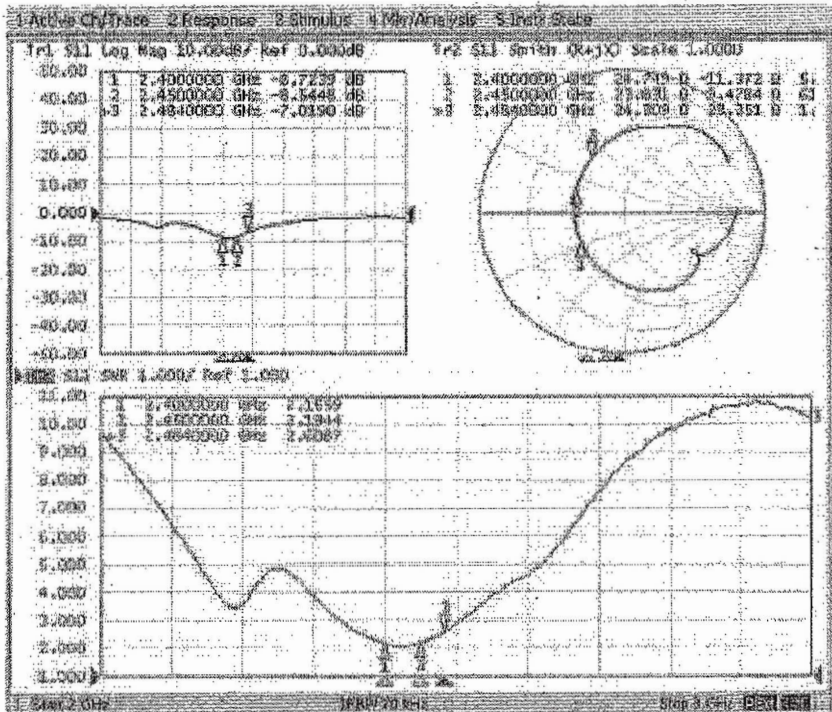
Electrical Properties	
Frequency	2.4-2.5GHz
Impedance	50 Ohm Nominal
V.S.W.R	3.0 Max
Return Loss	-6.0 dB Max
Radiation	Omni-directional
Gain (Peak)	-0.1dBi
Polarization	Linear
Connector	None
Physical Properties	
Antenna Material	FPC
Cable Type	O.D.1.13mm//L=35mm
Operating Temp.	-40~+85 °C
Storage Temp.	40~ +85 °C
Cable Color	Gray

Antenna Performance Test

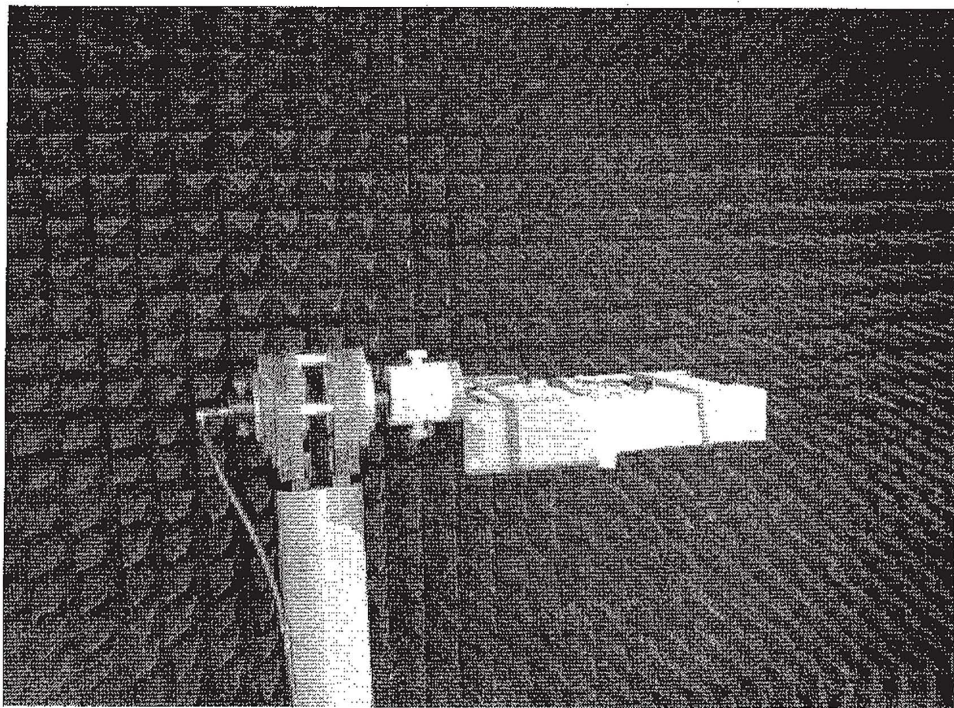
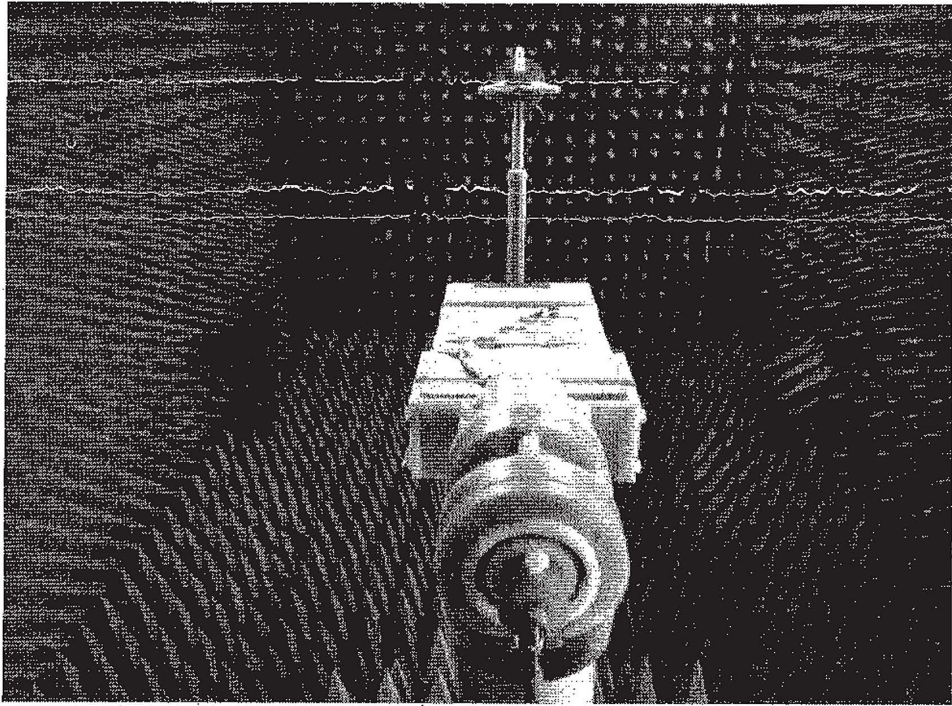
**Agilent
E5071B**



**S
Parameter
Test //
BT**



Antenna Passive Test



Passive Test For BT

Freq (MHz)	Effi (%)	Effi (dB)	Gain (dBi)
2400	38.1	-4.2	-0.5
2410	38.5	-4.1	-0.5
2420	38.6	-4.1	-0.4
2430	39.8	-4.0	-0.2
2440	39.4	-4.0	-0.2
2450	39.8	-4.0	-0.1
2460	39.6	-4.0	-0.2
2470	39.8	-4.0	-0.2
2480	40.4	-3.9	-0.1
2490	39.2	-4.1	-0.3
2500	38.3	-4.2	-0.5