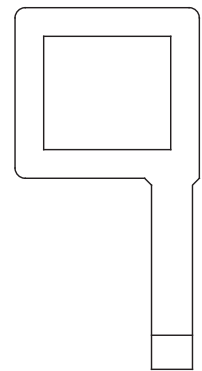
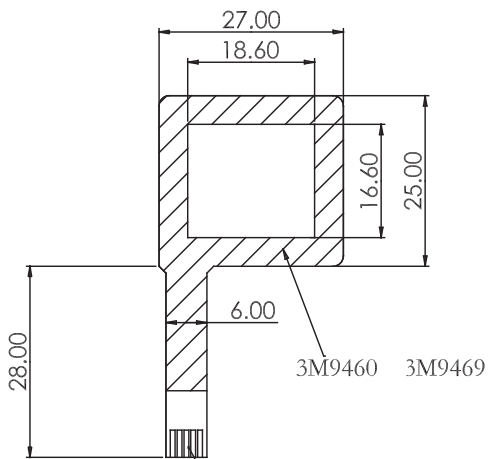
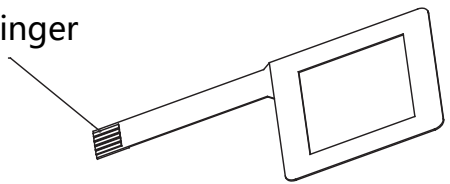


confidential



Golden Finger



			UNLESS OTHERWISE SPECIFIED				DRAWN BY:		DATE:	
			LINEAR TOLERANCES							
			INCHES MILLIMETER				MATERIAL:		PROJECT :	
			.XXX ± 0.005 .XX ± 0.1				FINISH:		TITLE:	
			.XX ± 0.01 .X ± 0.25						CHECKED BY:	
			.X ± 0.05 X ± 0.5						DATE:	
			ANGLES ± 0.5°							
			INTERPRET GEOMETRIC TOL- ERANCING PER: ASME Y14.5M				THIRD ANGLE PROJECTION		APPROVED BY:	
REV. DATE			DESCRIPTION		CHANGED BY:		SCALE: 1.000 DO NOT SCALE DRAWING		DWG. NO:	
							UNIT: mm		REV:	
							SHEET 1 OF 1		SIZE: A4	