

SPECIFICATION FOR APPROVAL

Date 2019/08/20
File No 19082001
Revision 1.0

CUSTOMER NO: PD6N
PART NAME: BT Antenna
SUPPLIER NO: YJW01.029.008.301A

APPROVAL	CHECK	DESIGN
ChenGuoqiang	WenXue	ChenXingcheng

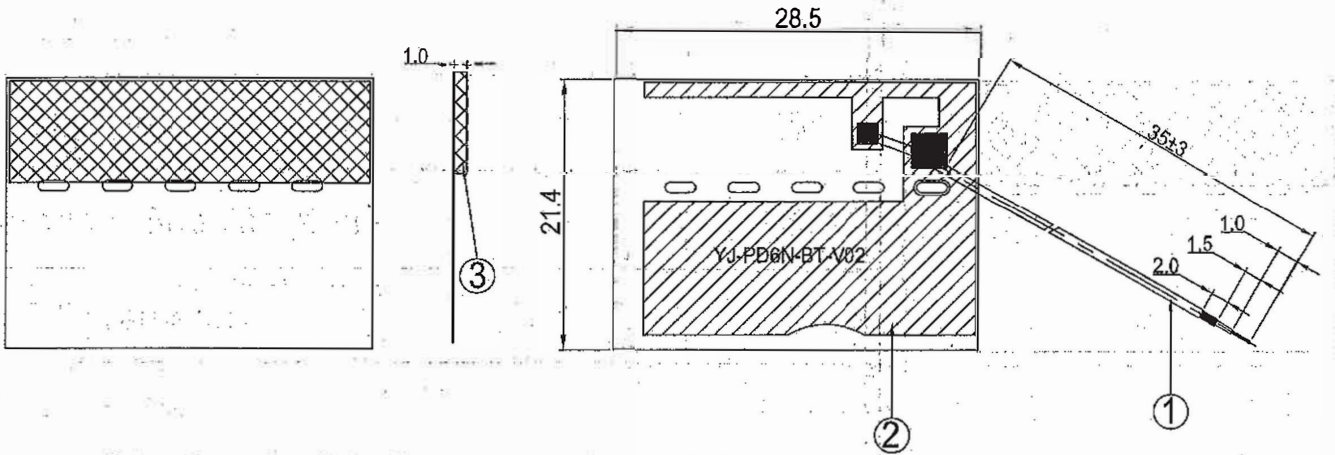
Contents of Specifications

NO	Contents	(Number of Page)	(Page Code)
1	Spec Cover	1	1
2	Spec Item	1	2
3	Drawing	1	3
4	Antenna Specification	1	4
5	S Parameter	1	5
6	Passive Test	2	6 ~ 7
7	Antenna Profile	1	8
8			
9		-	
10			
11			
12	-	-	-
13	-	-	-

RoHS
Compatible

CUSTOMER
PART NO

REV.	DESCRIPTION	DATE
△		



Tel: 0769-85539057
Fax: 0769-81664308

PART NAME: BT Antenna			DATE: 2019-07-26	
PART NO.: YJW01.029.008.301A			Tolerance	
APPROVED BY	CHECKED BY	DESIGNED BY	UNIT: mm	X.X ±0.50
			SCALE: 1/1	X.XX ±0.15
			REVISION: A	X° ±3°

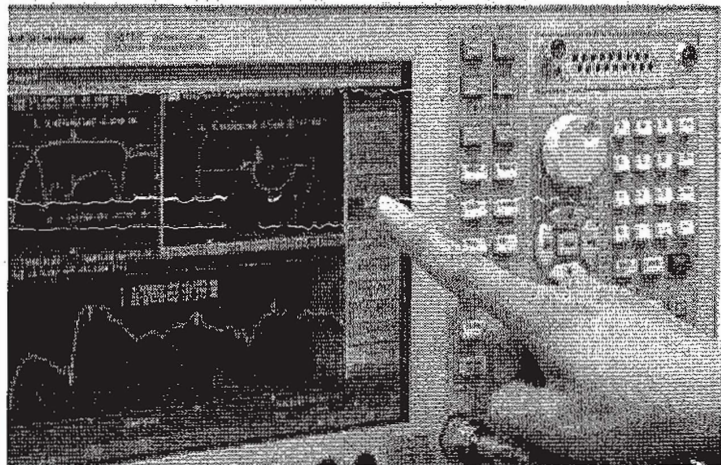
NO	PART NAME	DESCRIPTION	Material	Part Number	Q.TY
3	EVA+Paster	28.0*8.0*1.0MM	EVA+Paster	EVA10236A.P01	1
2	FPC	28.5*21.4MM	FPCB	FPC100XXA.P01	1
1	Coaxial Cable	O.D.1.13 Gray	O.D.1.13	COA100XXA.P01	1

Antenna Specification

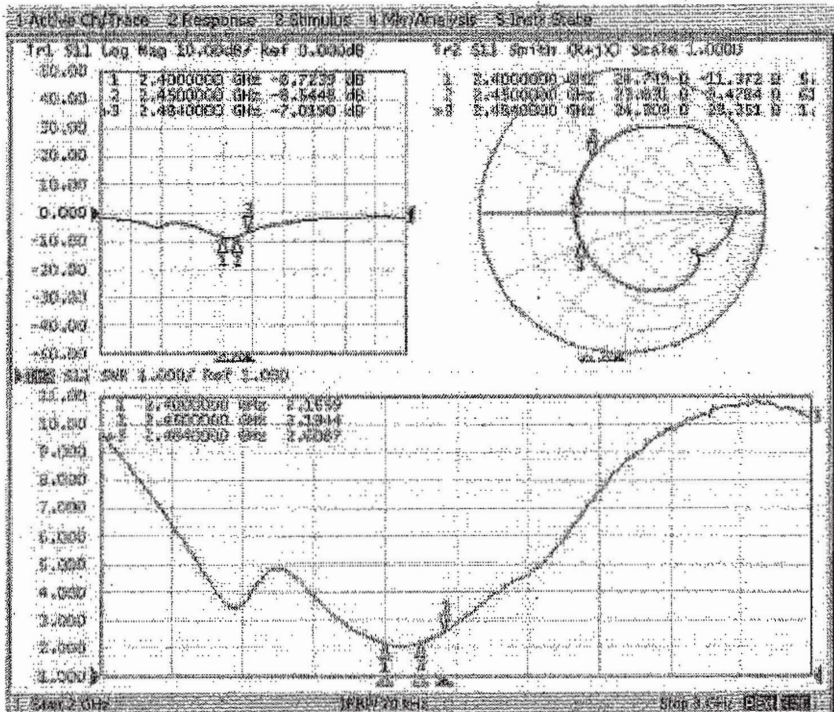
Electrical Properties	
Frequency	2.4-2.5GHz
Impedance	50 Ohm Nominal
V.S.W.R	3.0 Max
Return Loss	-6.0 dB Max
Radiation	Omni-directional
Gain (Peak)	-0.1dBi
Polarization	Linear
Connector	None
Physical Properties	
Antenna Material	FPC
Cable Type	O.D.1.13mm//L=35mm
Operating Temp.	-40~+85 °C
Storage Temp.	40~ +85 °C
Cable Color	Gray

Antenna Performance Test

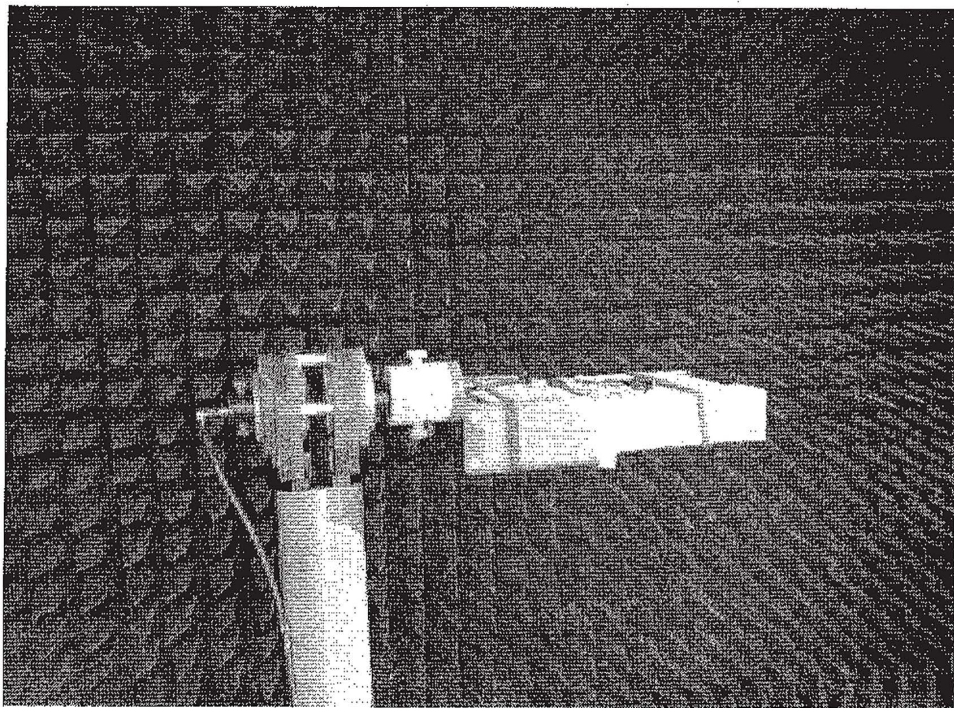
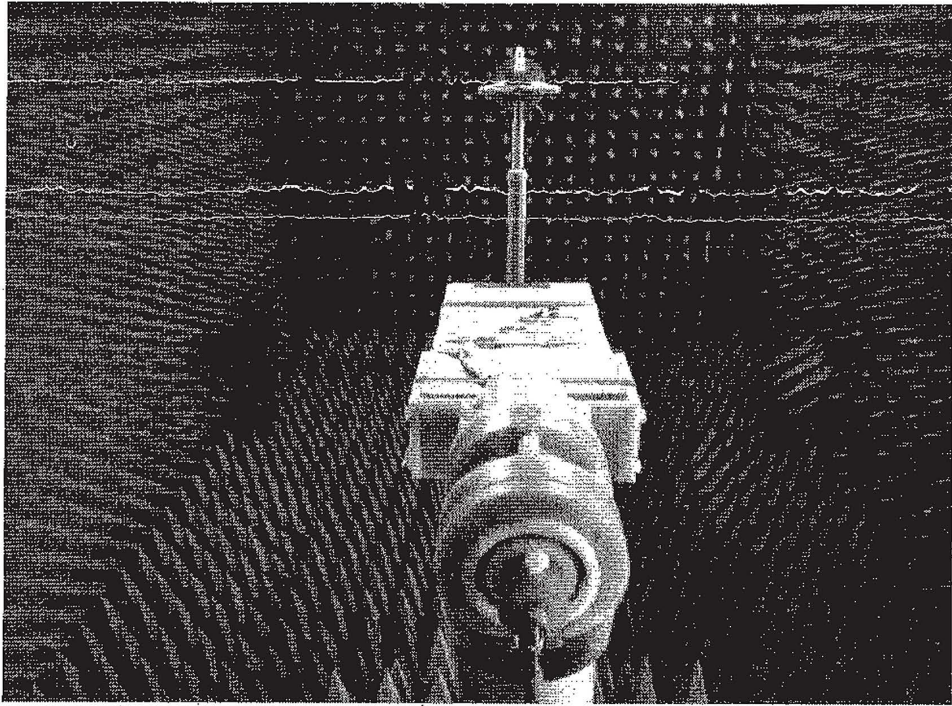
**Agilent
E5071B**



**S
Parameter
Test //
BT**



Antenna Passive Test



Passive Test For BT

Freq (MHz)	Effi (%)	Effi (dB)	Gain (dBi)
2400	38.1	-4.2	-0.5
2410	38.5	-4.1	-0.5
2420	38.6	-4.1	-0.4
2430	39.8	-4.0	-0.2
2440	39.4	-4.0	-0.2
2450	39.8	-4.0	-0.1
2460	39.6	-4.0	-0.2
2470	39.8	-4.0	-0.2
2480	40.4	-3.9	-0.1
2490	39.2	-4.1	-0.3
2500	38.3	-4.2	-0.5