

User manual

FCC ID: 2ASIOWFM06V-A

Model Name: WFM06V-A

Sample: WiFi module

Model No.: WFM06V-A

Manufacture Company: Shenzhen TaiKaiDA Technology Co., Ltd.

Product function:

This product is used in TV

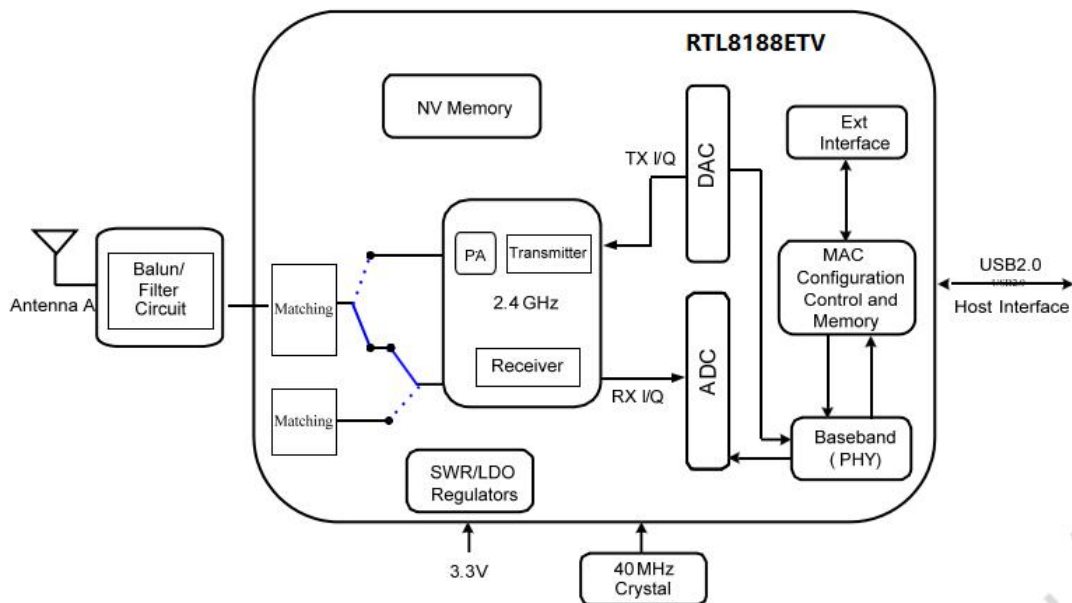
This product shall only be connected to a USB interface of version USB2.0.

This WLAN device is adapted to 11 b/g/n. Operation of each part is based and explained in a module RF Block diagram. The transceiver includes PLL, VCO, LNA, PA, modulator and demodulator.

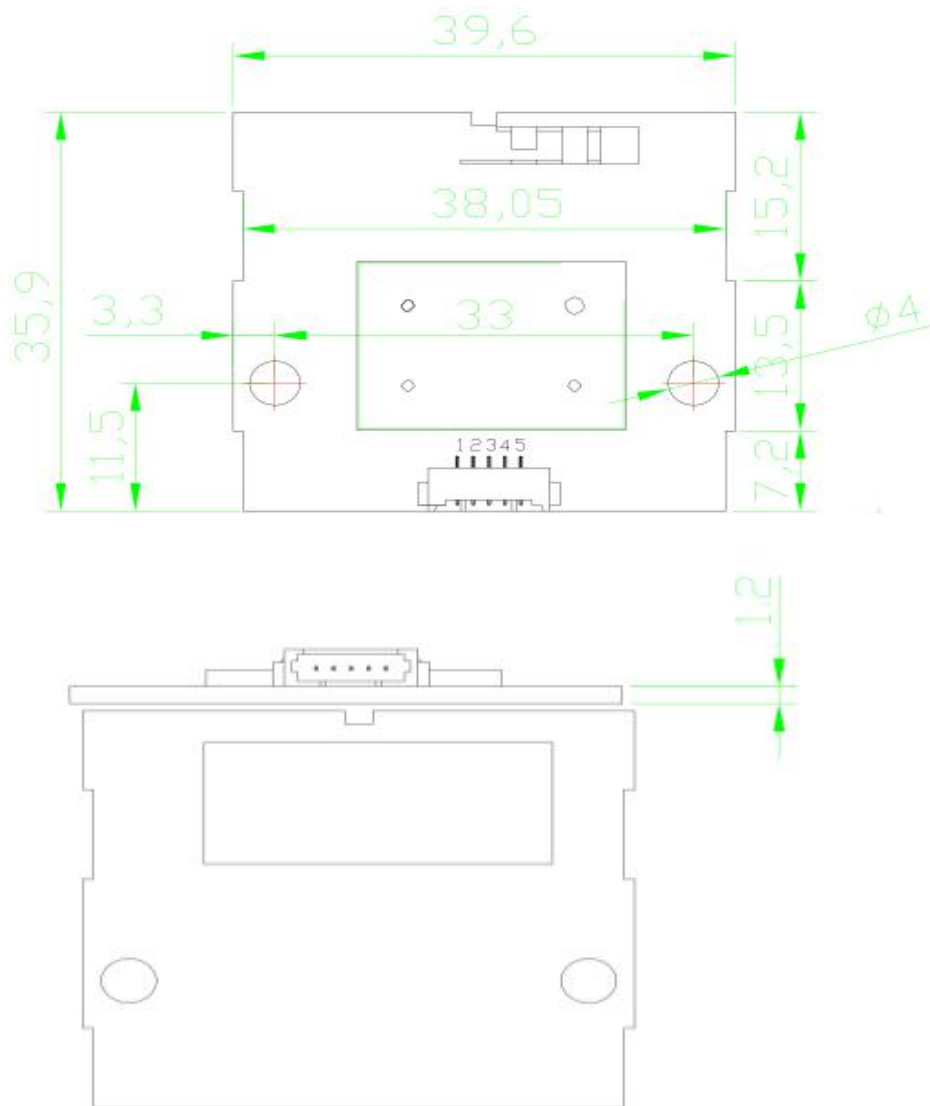
By using the reference signal (20/40MHz) currently used by the external clock input, stable RF signal and the table baseband clock are generated.

The operating band is 2412-2462MHz, 2422-2452MHz

A transmitting part is constituted in the WLAN block of RTL8188ETV. The data signal is modulated by CCK / OFDM Modulator inside RTL8188ETV and the digital modulation signal is changed into the analog modulation signal by digital / analog converter (DAC).



Mechanical Dimensions:



Unit:mm

ConnectorPinDefinitions:

5-Pin1.25mmconnector (HorizontalType)

Pin	1	2	3	4	5
Definition	GND	D+	D-	VDD (+5V)	Power_EN

Single Module

FCC Statement

This device complies with part 15 of the FCC Rules. Operation is subject to the following two conditions:

- (1) This device may not cause harmful interference, and
- (2) this device must accept any interference received, including interference that may cause undesired operation.

Any Changes or modifications not expressly approved by the party responsible for compliance could void the user's authority to operate the equipment.

The modular can be installed or integrated in mobile or fix devices only. This modular cannot be installed in any portable device.

FCC Radiation Exposure Statement

This modular complies with FCC RF radiation exposure limits set forth for an uncontrolled environment. This transmitter must not be co-located or operating in conjunction with any other antenna or transmitter. This modular must be installed and operated with a minimum distance of 20 cm between the radiator and user body.

If the FCC identification number is not visible when the module is installed inside another device, then the outside of the device into which the module is installed must also display a label referring to the enclosed module. This exterior label can use wording such as the following:

“Contains Transmitter Module FCC ID: 2ASIOWFM06V-A Or Contains FCC ID: 2ASIOWFM06V-A”

When the module is installed inside another device, the user manual of the host must contain below warning statements;

1. This device complies with Part 15 of the FCC Rules. Operation is subject to the following two conditions:

- (1) This device may not cause harmful interference.
- (2) This device must accept any interference received, including interference that may cause undesired operation.

2. Changes or modifications not expressly approved by the party responsible for compliance could void the user's authority to operate the equipment.

The devices must be installed and used in strict accordance with the manufacturer's instructions as described in the user documentation that comes with the product.