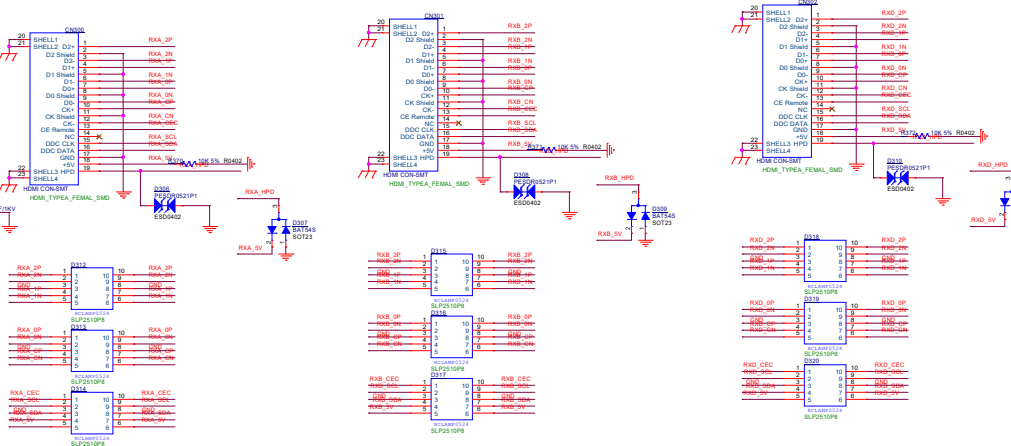
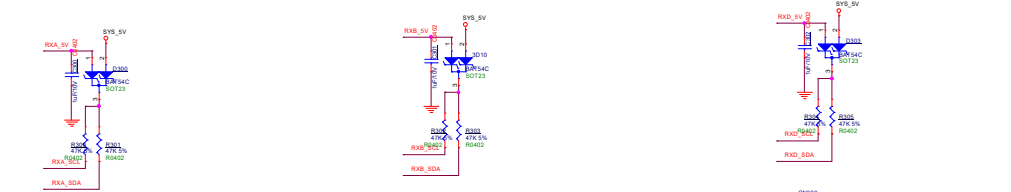


Title		
LED_SYNC_GS2008-AK3918		
Size	Document Number	Rev
C	power	V1
Date:	Saturday, October 15, 2022	Sheet 2 of 7



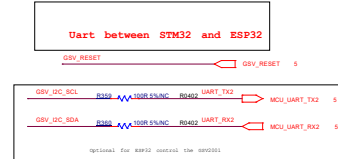
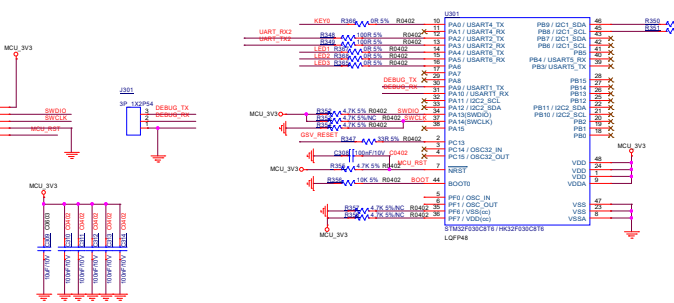
HDMI\_IN\_A

HDMI\_IN\_B

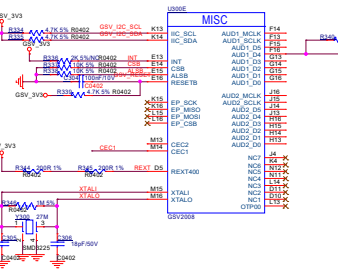
HDMI\_IN\_D

HDMI\_OUT\_A

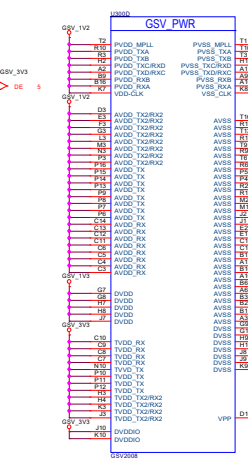
**STM32F030C8T6**



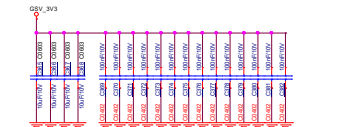
**GSV\_MISC&AUDIO**



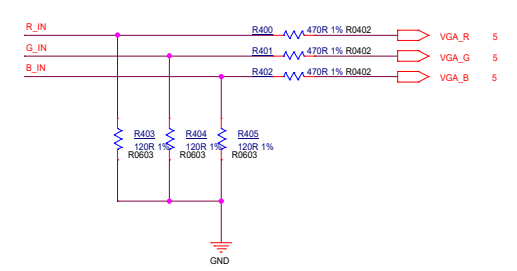
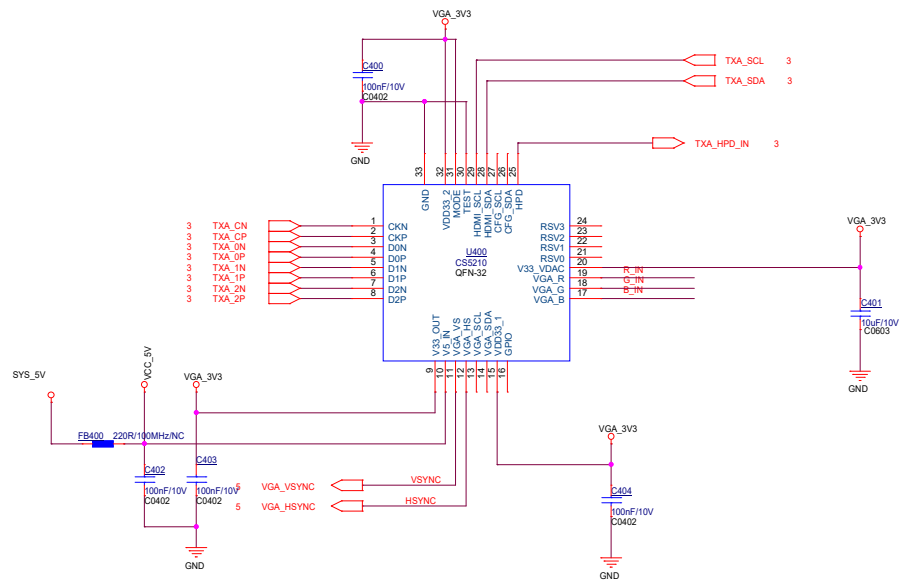
**GSV-POWER**

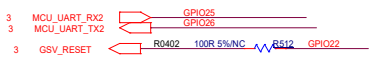
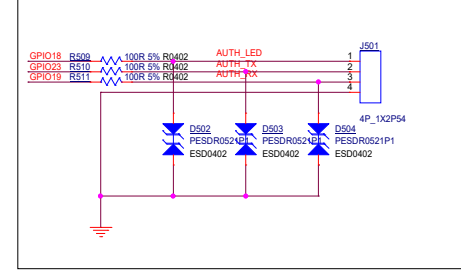
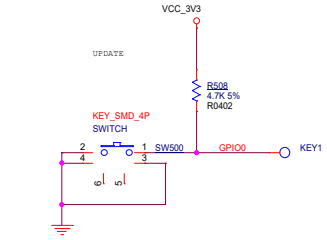
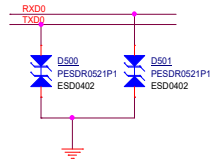
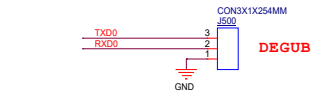
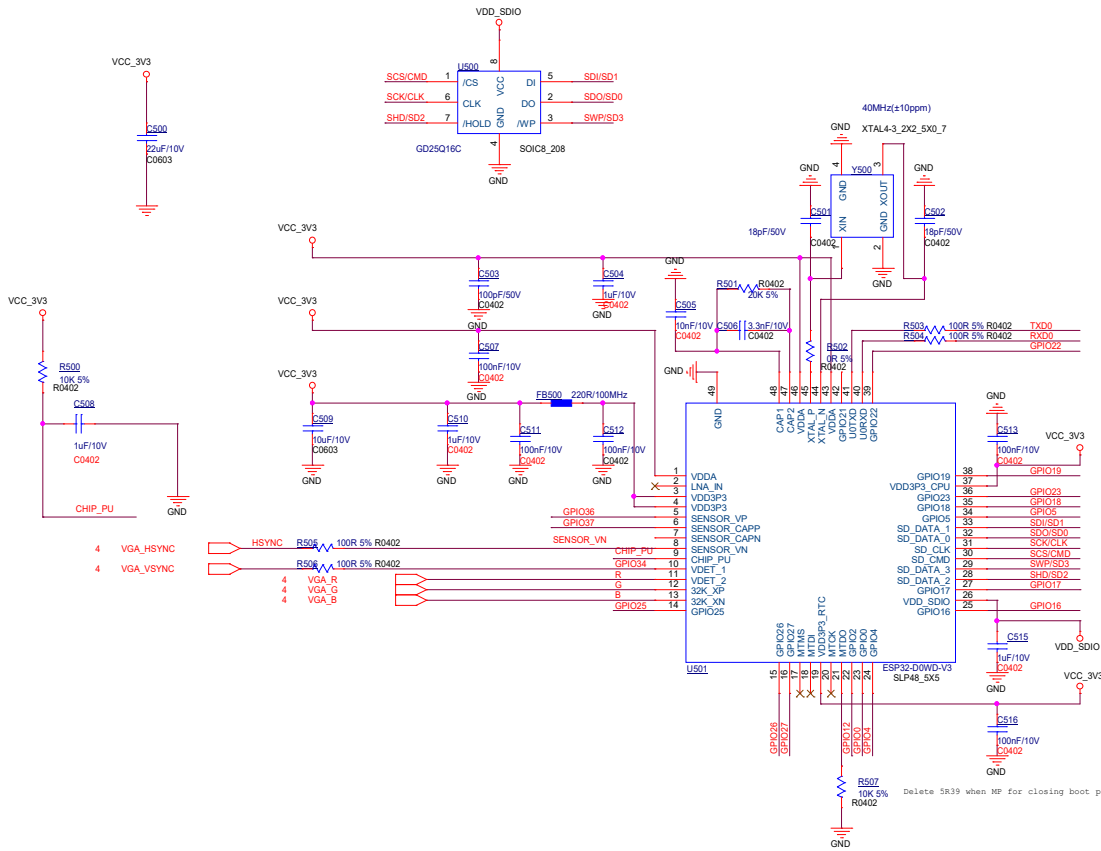


HDMI\_OUT\_B

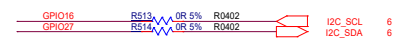


NOTICE for ARC:if using this function, CEC and Utility are used together

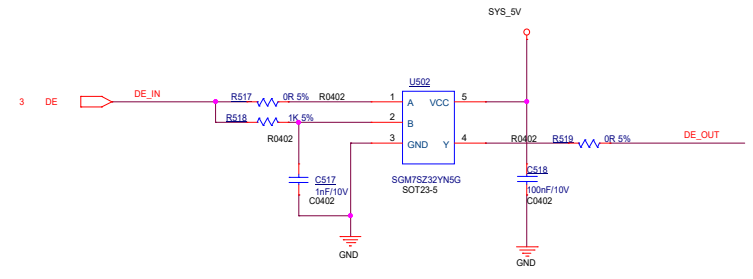
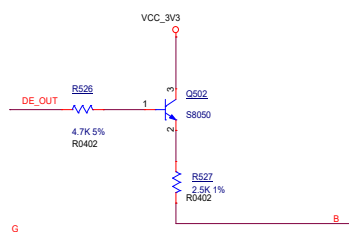
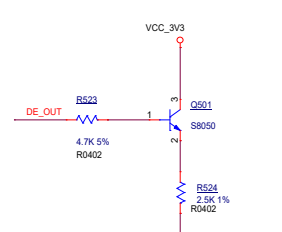
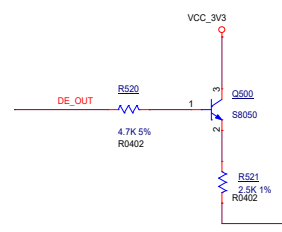
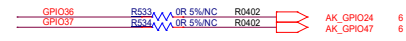
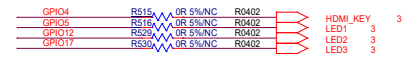


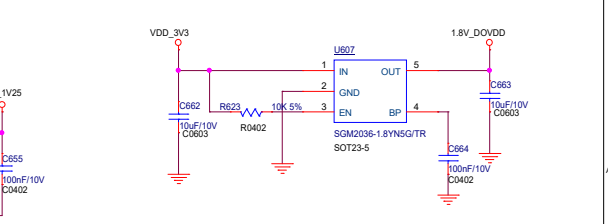
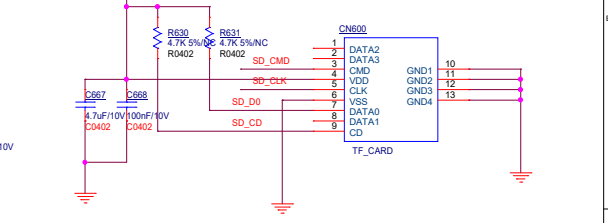
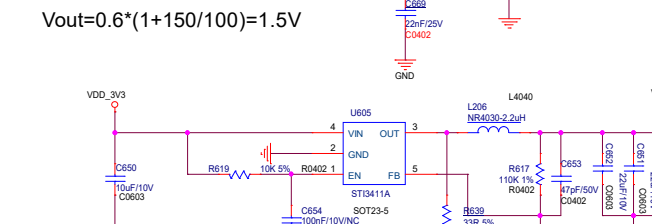
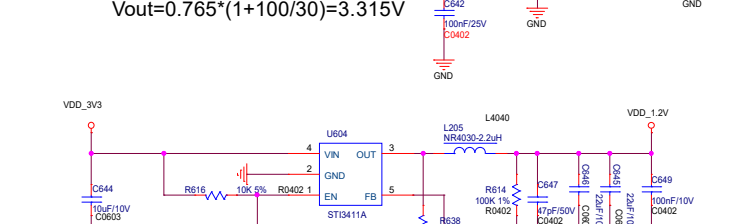
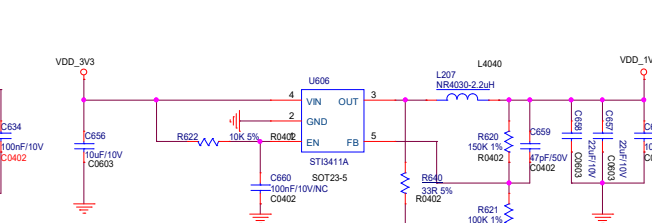
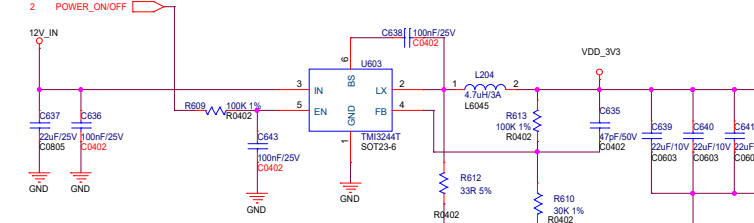
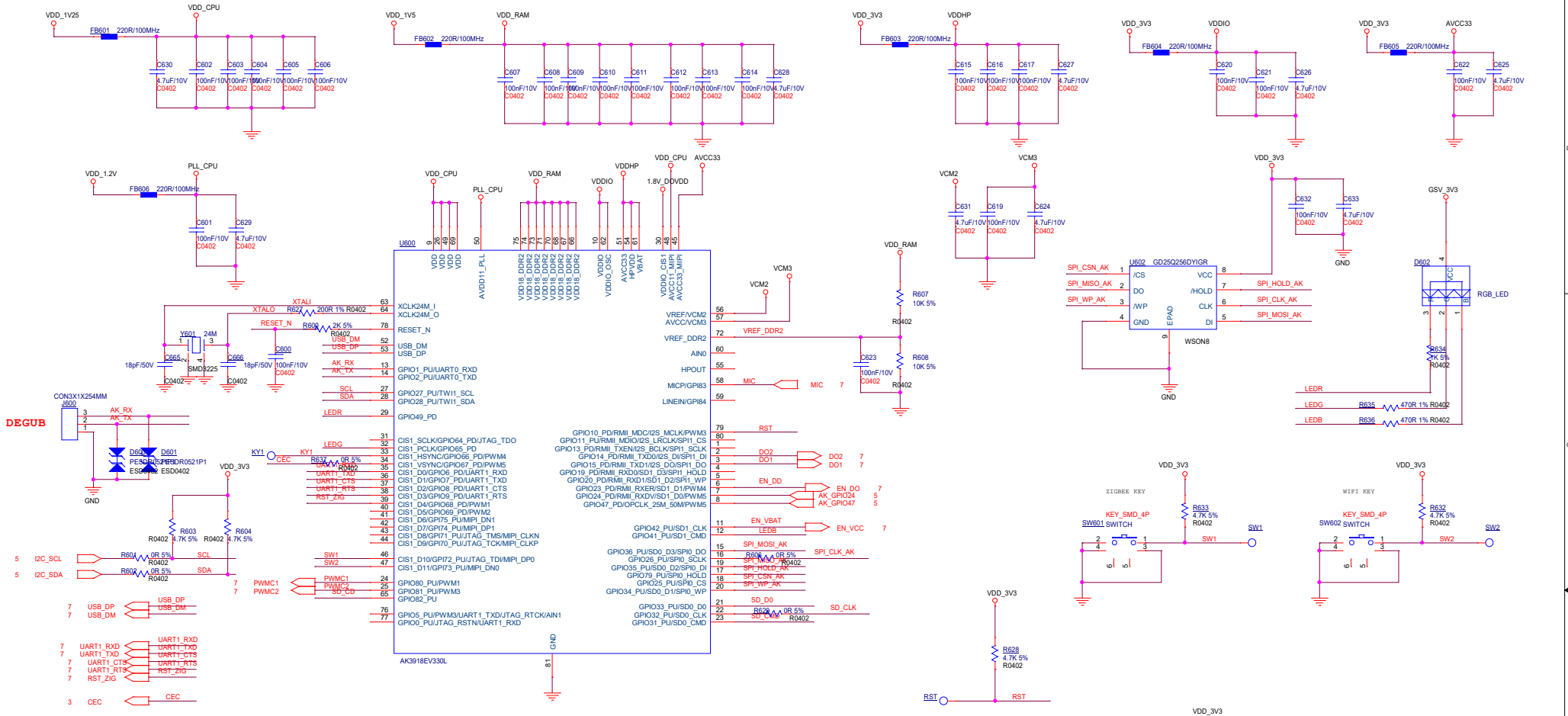


I2C CONTROL GSV2001

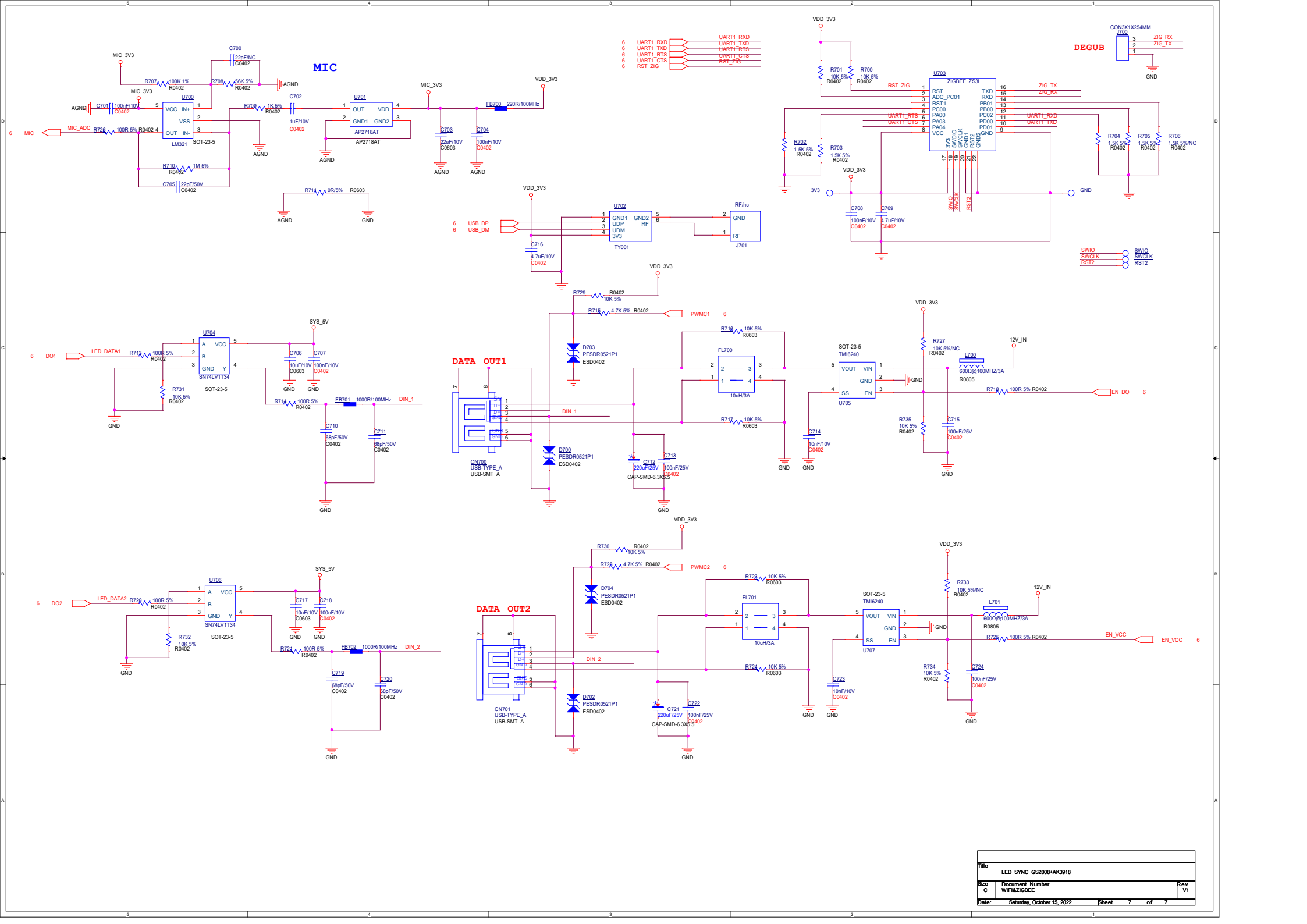


GPIO16-->SCL  
GPIO27-->SDA





Title			LED_SYNC_GS2008-AK3918
Size	Document Number	Rev	
C	AK3918	V1	
Date:	Saturday, October 15, 2022	Sheet	6 of 7



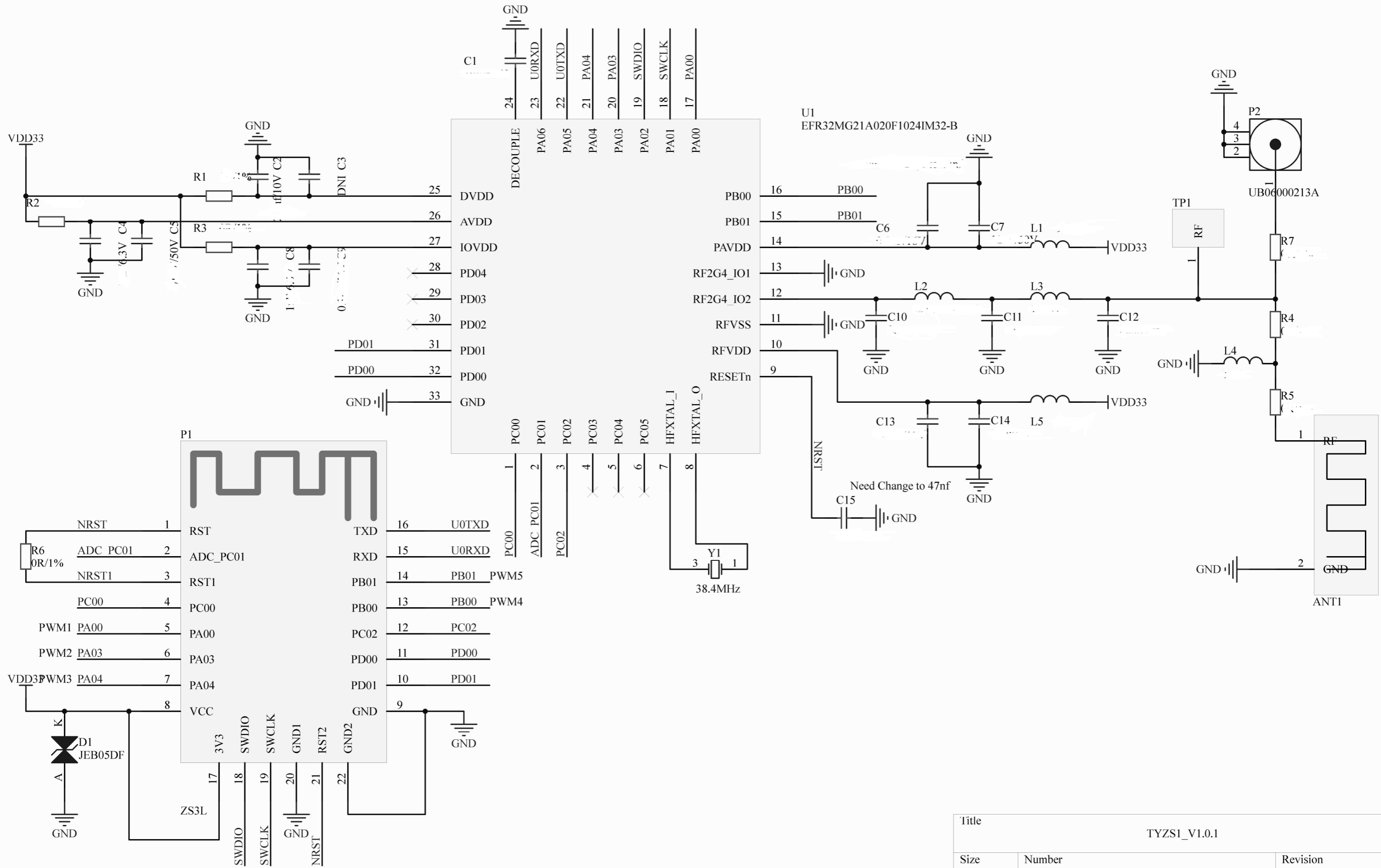
6 UART1\_RXD  
6 UART1\_TXD  
6 UART1\_RTS  
6 UART1\_CTS  
6 RST\_ZIG

CON3X1X254MM  
J700  
3 ZIG\_RX  
2 ZIG\_TX  
1

DEGUB

SWIO  
SWCLK  
RST2

File		
LED_SYNC_GS2008-AK3018		
Size	Document Number	Rev
C	WIFI&ZIGBEE	V1
Date:	Saturday, October 15, 2022	Sheet 7 of 7



Title			TYZS1_V1.0.1		
Size	Number		Revision		
A4			V1.0.1		
Date:	2020/1/6		Sheet of		
File:	D:\2019\...\ZS3L_V1.0.1.SchDoc		Drawn By: Licco(Chenlihuan) Tuya.Inc		

1

2

3

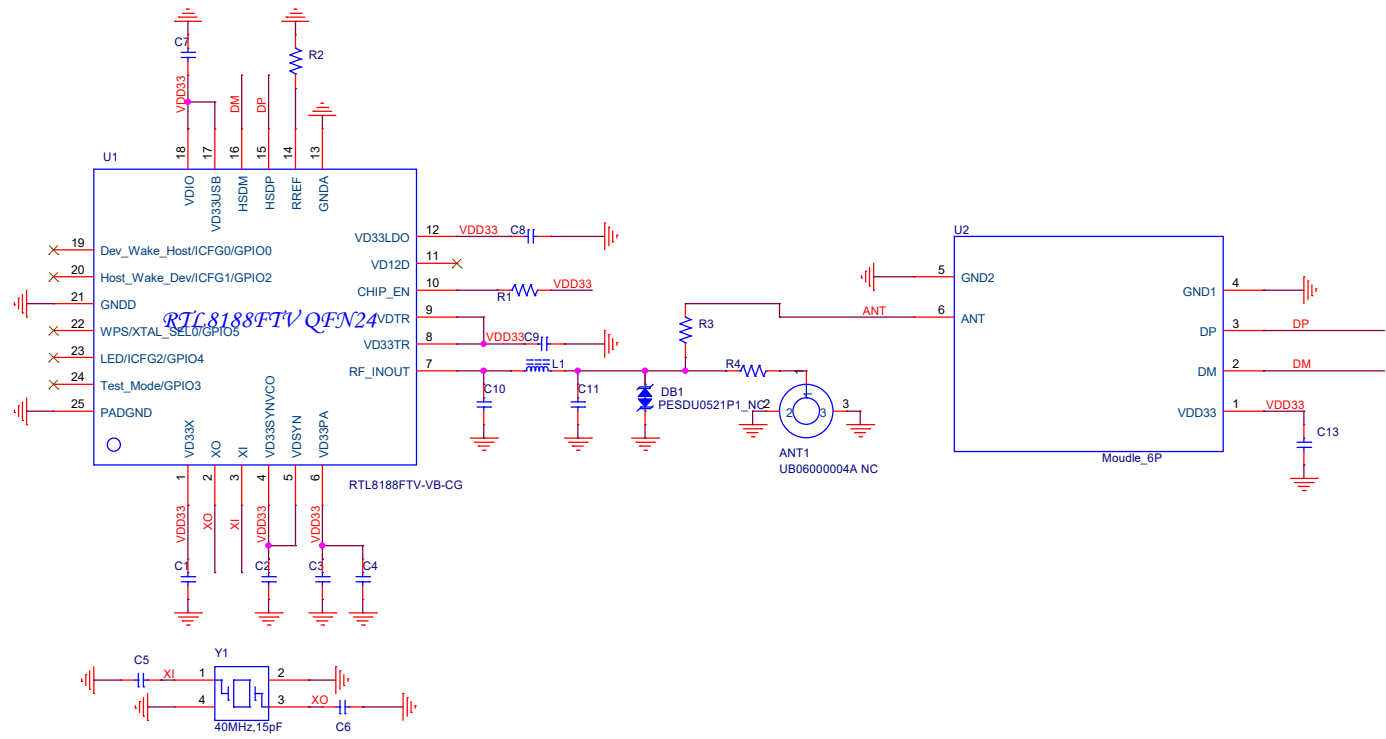
4

1

2

3

4



Project:	TY001-1V0		
File:	02 RTL8188FTV		
Date:	Wednesday, December 19, 2018	Rev:	<Revision>
Designed by:	<Designer>	Sheet:	<2> of <2>