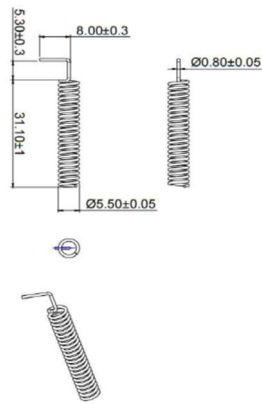


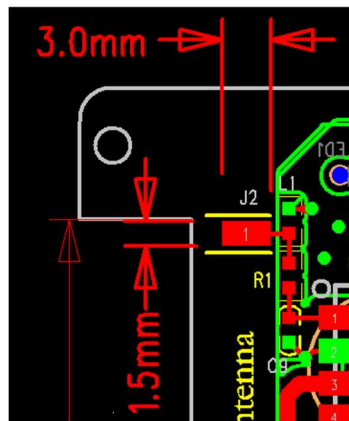
Directional spring antenna specification

Below is antenna specification

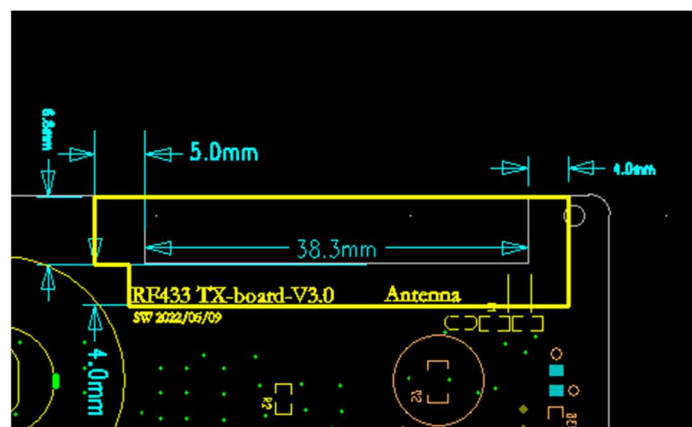
You can see antenna size from below specification

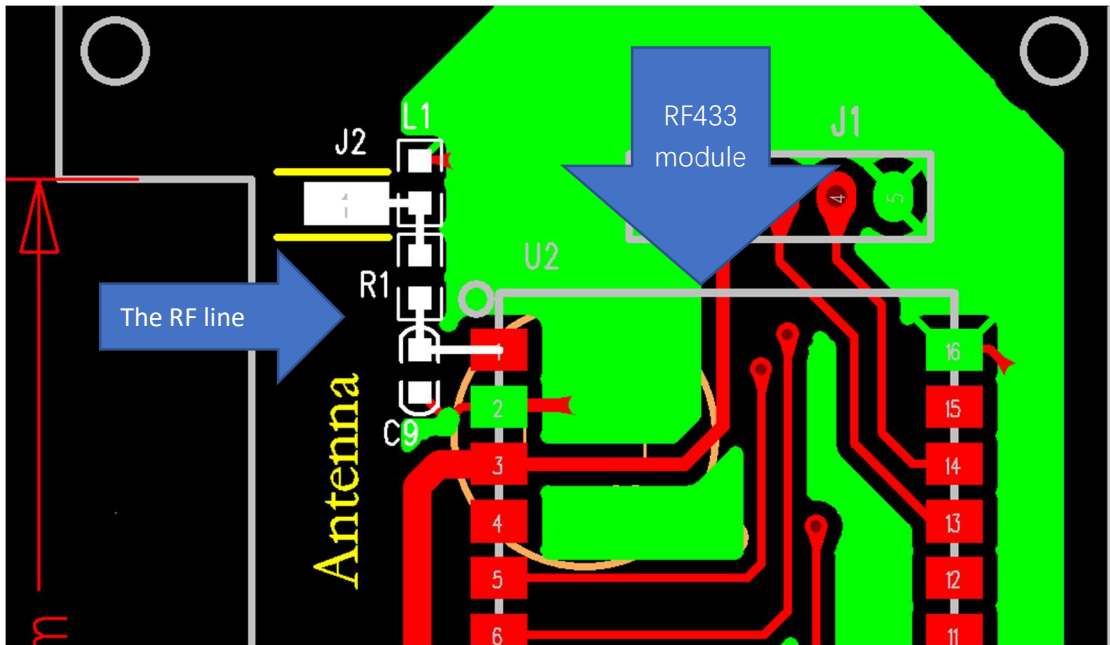
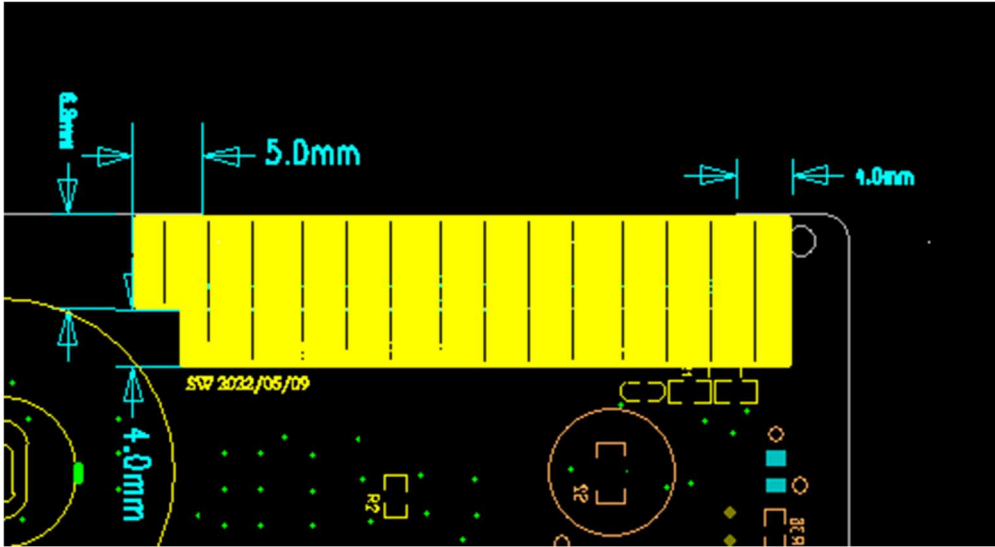


And PCB Pad size for spring antenna just follow the below chart.



Spring antenna location on PCB are J2, and the Empty Area except spring antenna should be see just follow the below two charts.





- L1—15nH, 0603;
- R1—0Ω, 0603;
- C9, no use