

Model Differences Letter

FCC ID: 2ASEL-VEX17

Product: VEX1712

Variants: VEX1712S1, VEX1712S2, VEX1712SPH1, VEX1712OTR1, VEX1712EXT1, VEX1712EXT2

All variants have the same PCB layout, schematic and partlist. They also have the same antenna, plastic cap and valve core.

The standard variant is VEX1712S1.

Other variants differ from VEX1712S1 in terms of:

- size, weight and form factor (VEX1712OTR1, VEX1712EXT1, VEX1712EXT2)
- customizable parameters (VEX1712S2, VEX1712SPH1)

Please note that the customizable parameters are: transmission interval (which cannot be in any case less than 10 seconds), transmitted frame format, pressure threshold values and various timings related to state transitions, but are not related in any case to radio performance, which is fixed and independent from these parameters. Furthermore, the parameters are set in production site before assembling the product, and cannot be changed later.

Mechanical specifications:

VEX1712S1, VEX1712S2 and VEX1712SPH1	
DIMENSIONS (without plastic cap)	40 x 23 x 20,5mm
WEIGHT	30g

VEX1712OTR1	
DIMENSIONS (without plastic cap)	52 x 20,25 x 20,5mm
WEIGHT	55g

VEX1712EXT1	
DIMENSIONS (without plastic cap)	152 x 29 x 20,5mm
WEIGHT	40g

VEX1712EXT2	
DIMENSIONS (without plastic cap)	235 x 21,6 x 20,5mm
WEIGHT	55g

Mechanical drawings:

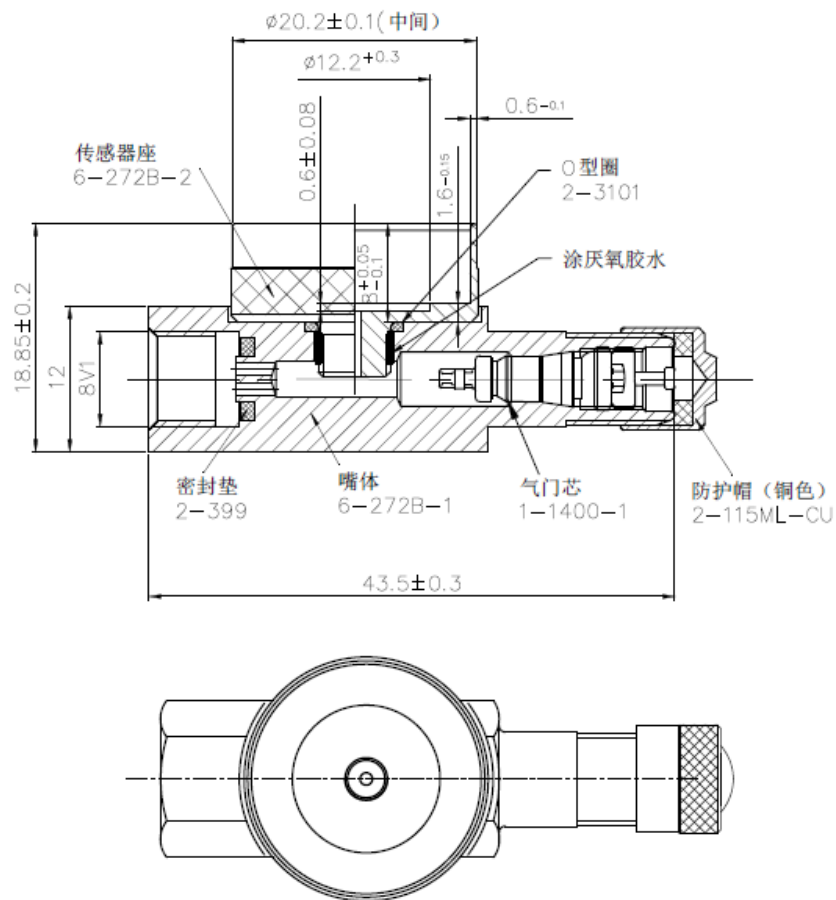


Fig. 1 - Metallic external shell, cross section and view from above (VEX1712S1, VEX1712S2, VEX1712SPH1)

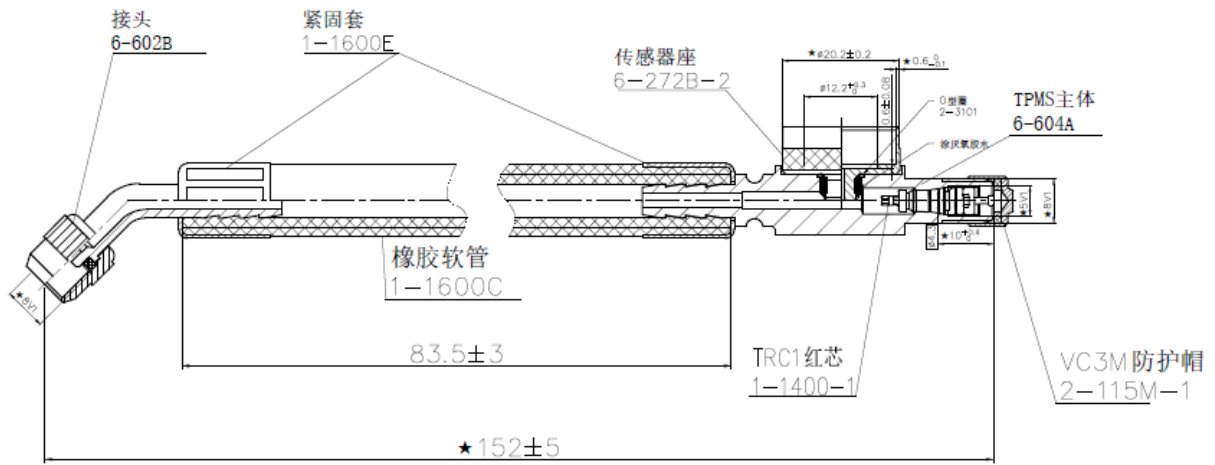


Fig. 2 - Metallic external shell, cross section and view from above (VEX1712EXT1)

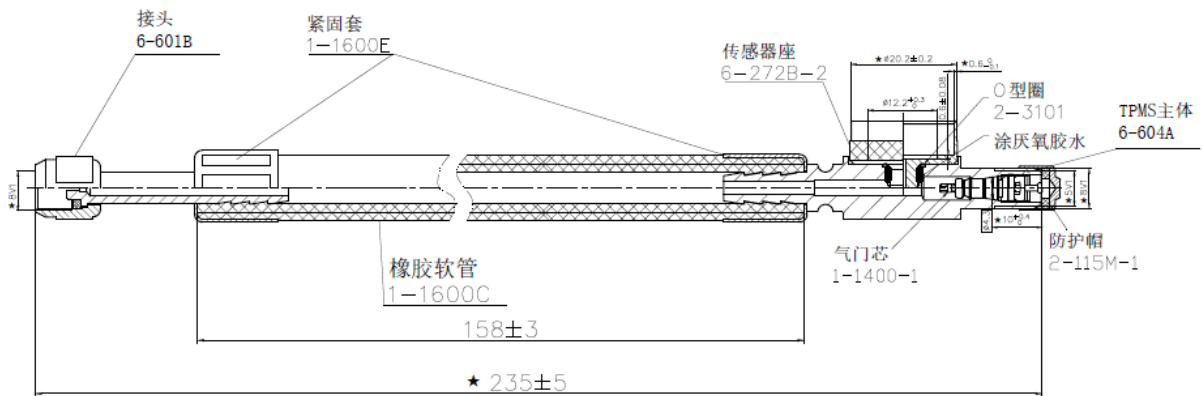


Fig. 3 - Metallic external shell, cross section and view from above (VEX1712EXT2)

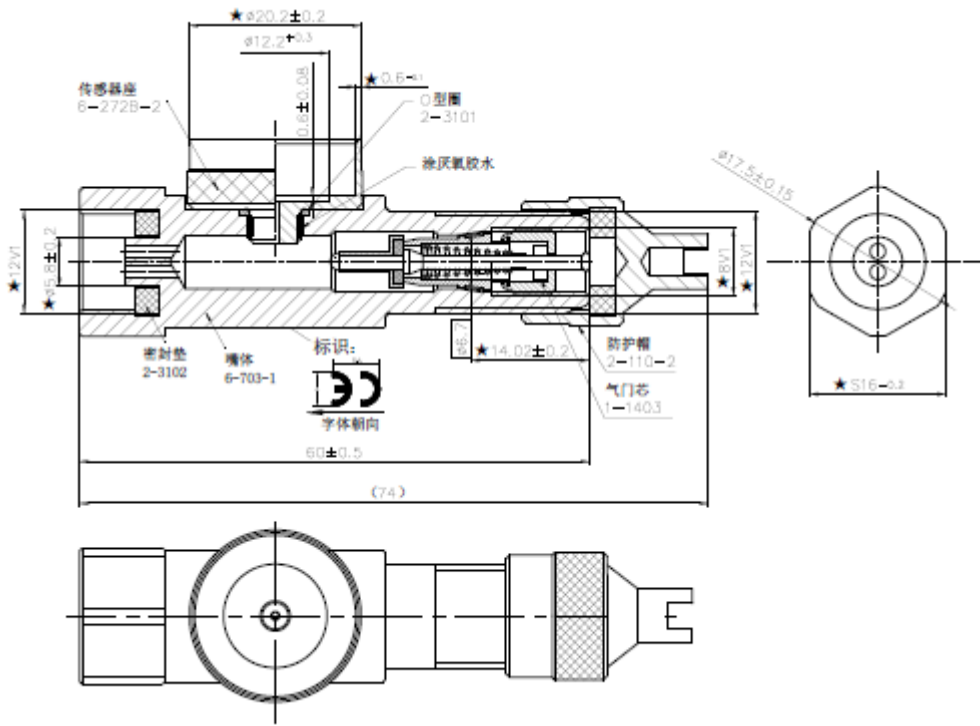
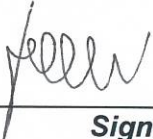


Fig. 4 - Metallic external shell, cross section and view from above (VEX1712OTR1)

STE Industries s.r.l.
Via privata Oslavia 17/8D
20134 Milan
Italy

Dated: _____ 09/04/2021

By:  **Signature** Guido Lami Montaperto **Printed**

Telephone: +39 0226411765

Applicant: STE Industries s.r.l.