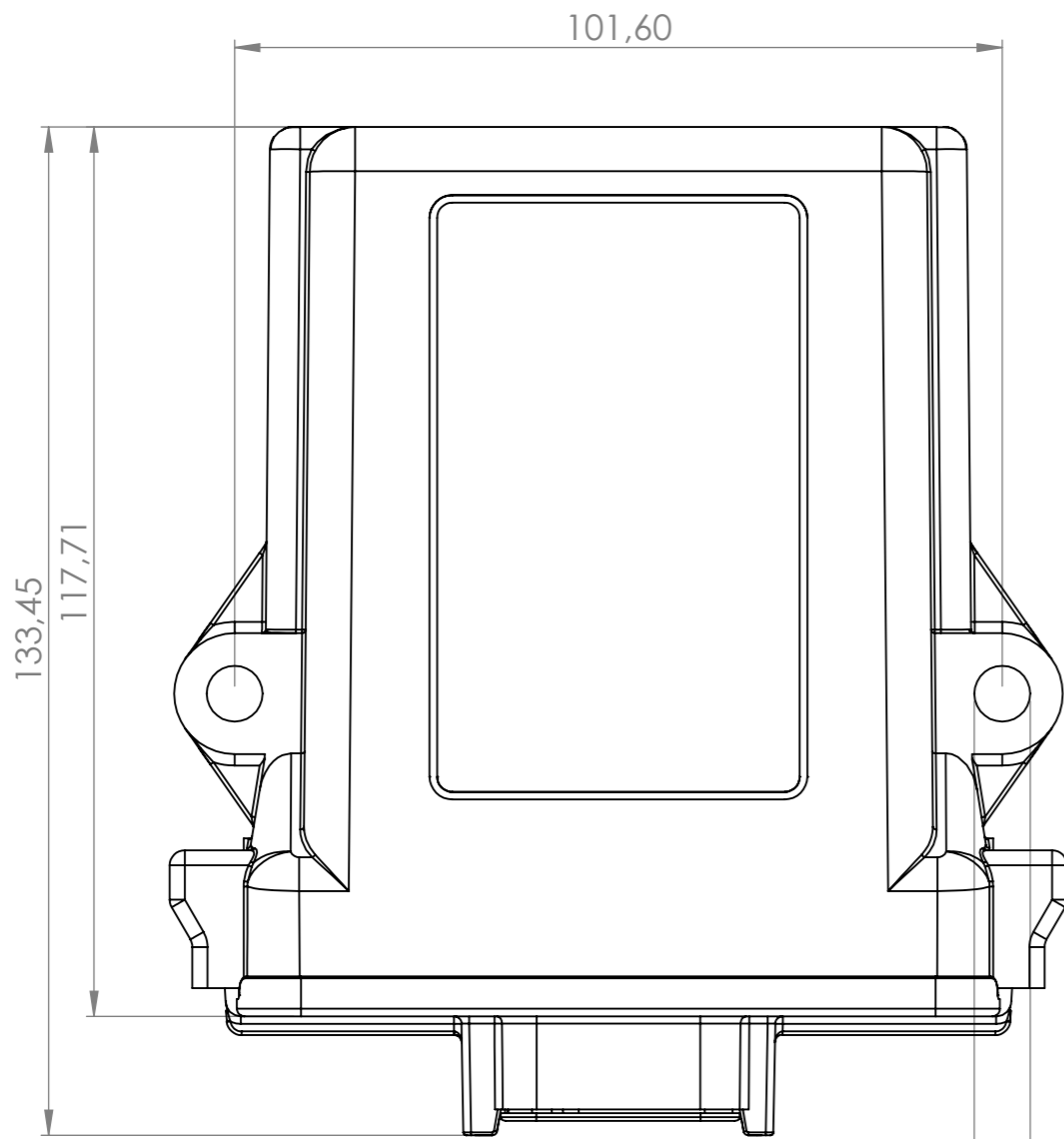
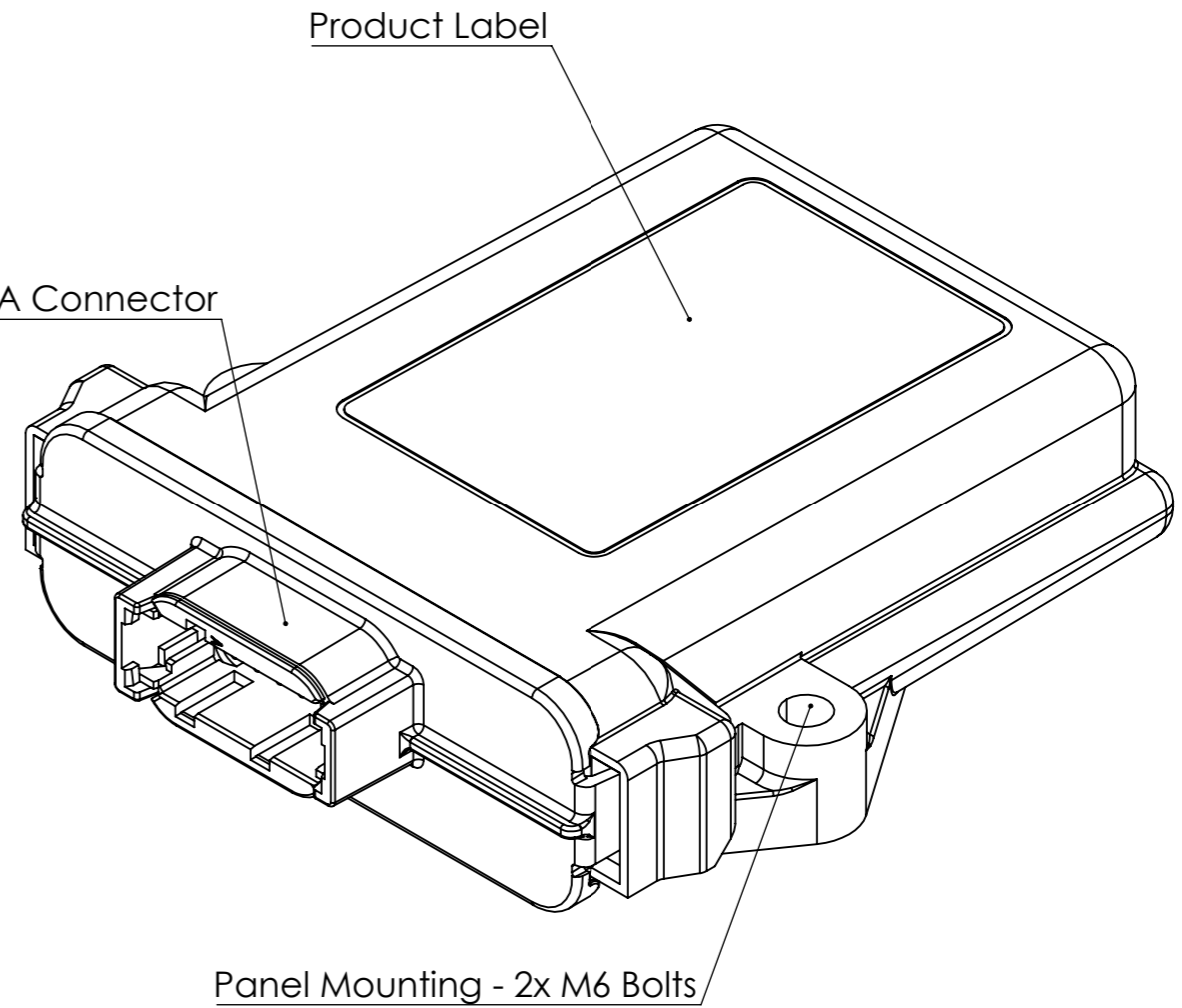



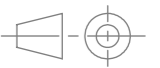
117,60

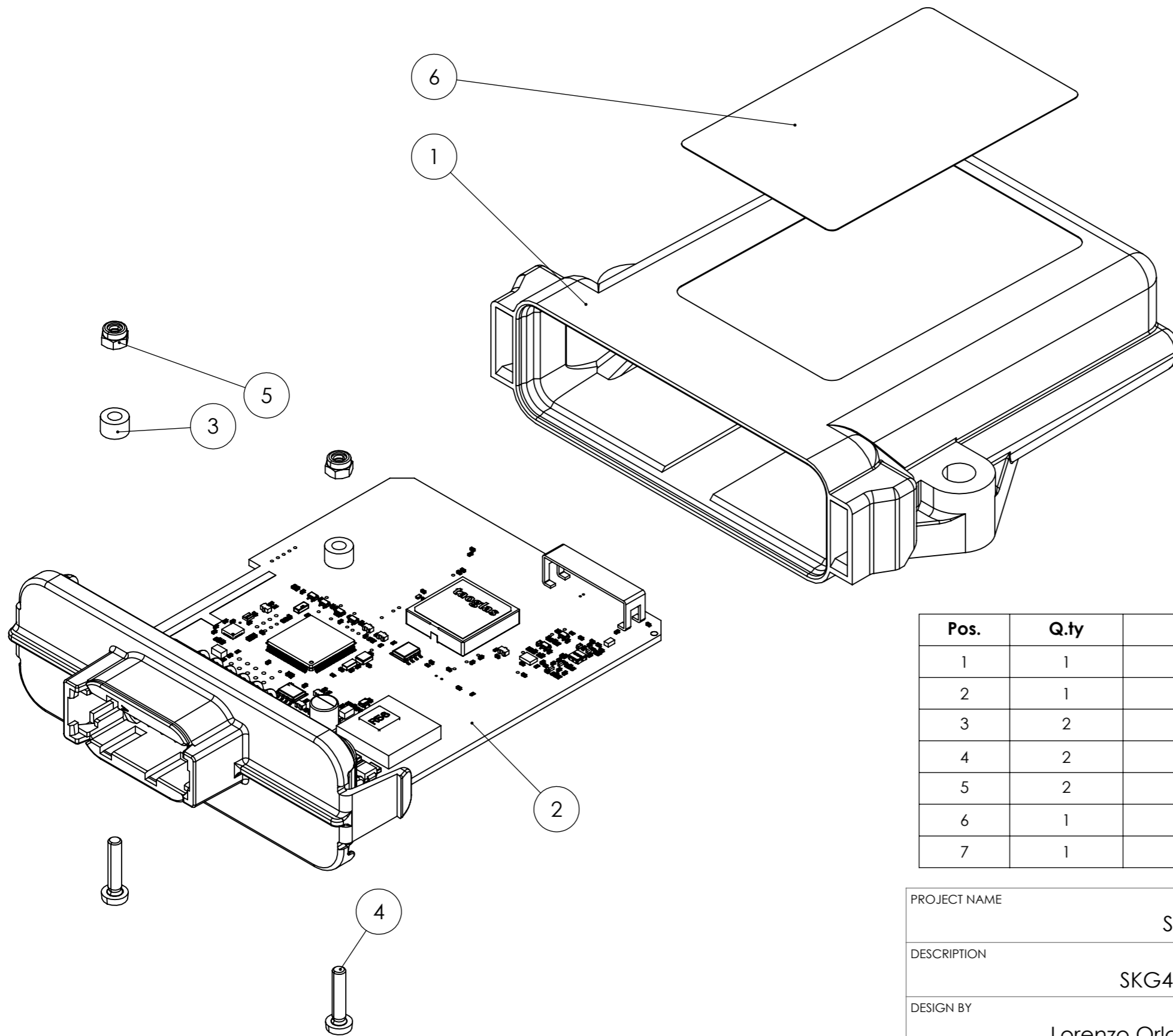


Header for DTM06-12SA Connector




Ø7,39

PROJECT NAME		SKG41		CUSTOMER		Ste Industries	
DESCRIPTION		SKG417ST1		TITLE		Overview	
DESIGN BY		Lorenzo Orlandini		APPROVED BY		Francesco Pugliese	
MATERIAL	CODE	REVISION	MODIFICATION	 via Leonardo Bistolfi 49 - 20134 Milano Office: +39/26411765 Website: www.ste-industries.com Email: info@ste-industries.com			
...	10000023-00	00	...				
UNITS	SCALE	DATE	PRINT LAYOUT				
mm	1:1	28/10/2020	A3	<small>Ste Industries srl has copyright and license of this drawing. All dimensions and drawing must be verified and approved by registered engineers and all relevant local authorities. All changes must be communicated.</small>			
NOTE:							



Pos.	Q.ty	Code	Description
1	1	403051	DEUTSCH DTM Enclosure
2	1	08825333-C-00	PCA C Variant
3	2	465075	Round Spacer Nylon h 4mm
4	2	566074	Screw M3x14
5	2	579111	M3 Hexagonal Locking Nuts
6	1	905220-00	SKG417S1 Product Label
7	1	FW00261-1.5	Firmware SKG41

PROJECT NAME		SKG41		CUSTOMER		Ste Industries		 <p>via Leonardo Bistolfi 49 - 20134 Milano Office: +39/26411765 Website: www.ste-industries.com Email: info@ste-industries.com</p>
DESCRIPTION		SKG417ST1		TITLE		Exploded View		
DESIGN BY		Lorenzo Orlandini		APPROVED BY		Francesco Pugliese		
MATERIAL	...	CODE	10000023-00	REVISION	00	MODIFICATION	...	<small>Ste Industries srl has copyright and license of this drawing. All dimensions and drawing must be verified and approved by registered engineers and all relevant local authorities. All changes must be communicated.</small>
UNITS	mm	SCALE	1:1	DATE	28/10/2020	PRINT LAYOUT	A3	
NOTE:								
								