

Industrial PDA

User Manual

Model: S917 V9

Brief Introduction

First of all, thanks for purchasing Industrial Tablet PC.

This user manual includes function introduction, operation process and solutions for abnormal problems. In order to guarantee the proper operation of this device, please read this manual in detail before using for quick response when problems appear.

Note:

- We will try our best to improve this manual to ensure the accuracy of its content. If you find any errors in this manual, please contact us.
- This manual is for reference only. The specific functions and product pictures may be slightly different from the actual product, please refer to the actual product.

Without permission from supplier in writing, it is forbidden to copy all or part of the manual.

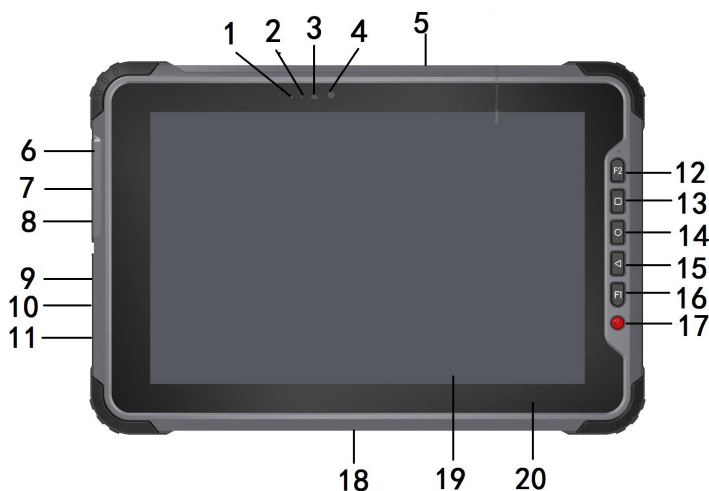
Contents

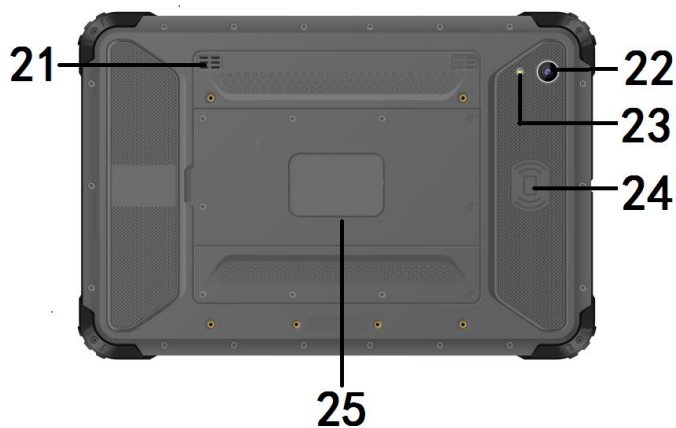
| | |
|---|---|
| Contents | 1 |
| 1. Check device and package..... | 2 |
| 2. Components..... | 2 |
| 3. Basic Information..... | 5 |
| 4. Basic functions..... | 6 |
| 5. Solutions for abnormal problems..... | 7 |

1. Check device and package

After you receive the equipment, please open the packing box and check whether the items are complete according to the packing list. If the goods are damaged or if you need to add or replace some standard accessories, please contact our company.

2. Components





| No. | Name | No. | Name |
|-----|--------------------|-----|-------------|
| 1 | Charging indicator | 14 | HOME button |
| 2 | Breathing light | 5 | Back button |

| | | | |
|----|---------------------|----|---------------------------|
| 3 | Light sensor | 16 | F1 custom button |
| 4 | Front camera | 17 | On button |
| 5 | Barcode scan | 18 | Docking station interface |
| 6 | Internet interface | 19 | LED |
| 7 | HDMI interface | 20 | TP |
| 8 | Type A interface | 21 | Speaker |
| 9 | Type C interface | 22 | Rear camera |
| 10 | Round charging port | 23 | Flashlight |
| 11 | Headphone | 24 | NFC |
| 12 | F2 custom button | 25 | Battery cover |
| 13 | Backstage button | | |

3. Basic Information

- Light sensor: automatically detect the ambient light intensity and adjust the screen brightness.
- Power button: in the off state, long press to turn on; short press once to turn off the screen and still accept calls.
- Volume button: adjust button.
- Menu key: you can view the applications running in the background.
- Home button: when an application is running, press this key to quickly return to the main page; the fingerprint has a fingerprint recognition function, and it can be unlocked after entering the fingerprint.
- Power button+Volume-: shortly press at the same time to take a screenshot.
- Type C interface: it can be charged by connecting the charger through the data cable, and can be connected to the computer to transmit data, and supports OTG

function.

- Type-A interface: you can directly connect U disk, mouse, keyboard and other equipment.

4. Basic functions

- 10.1" HD IPS touch screen, 1920x1200 resolution, highlight screen 500nit, Corning Gorilla Glass.
- Processor Qualcomm 8953, CPU 8 core 2GHz, 4GB RAM +64GB Flash.
- Operating system Android™ 10.
- 1300W rear camera, 500W front camera, supports to take photo and video, rear camera has a fill light and supports flashlight function.
- Supports GPS+BeiDou+Glonass.
- Supports WIFI 802.11b/g/n.
- Supports BT 4.2.
- 3.8V/10000mAh removable battery.
- Dimension: 278mm*187mm*19mm.
- Weight: about 1100g.

5、 Solutions for abnormal problems

1) The system prompts that the app cannot be installed

- Confirm whether it matches the system.
- Check the memory capacity and clean up properly.

2) Cannot receive SMS and phone calls

- Turn off incoming call and SMS blocking function.
- Restart or restore factory settings.

3) SIM card cannot be recognized

- Wipe the SIM card metal sheet with a rubber.
- Reinstall the SIM card.
- Replace with a new card.

4) Charging problem

- Confirm the connection status.
- The charging status will not be displayed when the amount is low. After charging for ten minutes, plug it in again.

! **Note**

- It is forbidden to disassemble the equipment to avoid damage to the equipment.
- Support standard Nano card. Cutting the card by yourself may damage the card, or even damage the device.

Android is a trademark of Google LLC.

FCC Caution.

(1)§ 15.19 Labelling requirements.

This device complies with part 15 of the FCC Rules. Operation is subject to the following two conditions: (1) This device may not cause harmful interference, and (2) this device must accept any interference received, including interference that may cause undesired operation.

§ 15.21 Changes or modification warning

Any Changes or modifications not expressly approved by the party responsible for compliance could void the user's authority to operate the equipment.

§ 15.105 Information to the user.

Note: This equipment has been tested and found to comply with the limits for a Class B digital device, pursuant to part 15 of the FCC Rules. These limits are designed to provide reasonable protection against harmful interference in a residential installation. This equipment generates uses and can radiate radio frequency energy and, if not installed and used in accordance with the instructions, may cause harmful interference to radio communications. However, there is no guarantee that interference will not occur in a particular installation. If this equipment does cause harmful interference to radio or television reception, which can be determined by turning the equipment off and on, the user is encouraged to try to correct the interference by one or more of the following measures:

- Reorient or relocate the receiving antenna.
- Increase the separation between the equipment and receiver.
- Connect the equipment into an outlet on a circuit different from that to which the receiver is connected.
- Consult the dealer or an experienced radio/TV technician for help.

Specific Absorption Rate (SAR) information:

This device meets the government's requirements for exposure to radio waves. The guidelines are based on standards that were developed by independent scientific organizations through periodic and thorough evaluation of scientific studies. The standards include a substantial safety margin designed to assure the safety of all persons regardless of age or health. FCC RF Exposure Information and Statement the SAR limit of USA (FCC) is 1.6 W/kg averaged over one gram of tissue. Device types: Industrial PDA (FCC ID: 2ASDX-S917V9) has also been tested against this SAR limit. This device was tested for typical body-worn operations with the back of the device kept 0mm from the body. To maintain compliance with FCC RF exposure requirements, use accessories that maintain a 0mm separation distance between the user's body and the back of the phone. The use of belt clips, holsters and similar accessories should not contain metallic components in its assembly. The use of accessories that do not satisfy these requirements may not comply with FCC RF exposure requirements, and should be avoided.