

# ClearClick® Retro Wooden Radio with BT *(Model VR45)*

Quick Start Guide & User's Manual



**Full 5-Year Warranty +**

**FREE USA-Based Tech Support**

If you have any issue or question regarding this product, **contacting us directly** is the fastest way to resolve the issue. We are ClearClick®, a small USA-based business, and we stand behind our products with a full 5-year warranty & free USA tech support. If you have any issues with our product, **please contact us at [support@clearclick.tech](mailto:support@clearclick.tech)**.



[www.ClearClick.tech](http://www.ClearClick.tech)

## **Register Your Product & Extend Your Warranty**

Register your product at our website and we'll extend your warranty period by one year for FREE!

[www.clearclicksoftware.com/Register/](http://www.clearclicksoftware.com/Register/)

## **Safety Precautions**

1. Do not disassemble the unit.
2. Do not operate the unit around water or rain. Do not operate the unit around any kind of machines or appliances (other than computers).
3. Turn off and unplug the unit when not in use or charging.
4. Do not allow young children to use this device.

## **Thank You!**

Thank you for your purchase of the ClearClick® Retro Wooden Radio! (Model VR45) We appreciate your business.

At ClearClick®, we try to make our technology as clear to understand and use as possible. But if you get stuck at any point, you qualify for FREE USA-based tech support as a ClearClick® customer. Just email us at: [support@clearclick.tech](mailto:support@clearclick.tech)

(Make sure you explain your issue in detail and tell us that you're using our ClearClick® Retro Wooden Radio - Model Number VR45). Our USA-based tech support team members will normally reply to you within 24-48 business hours.)

## **QUICK START – Setting Up The Device**

1. Fully charge the device. Using the included USB cable, plug the radio into a USB wall adapter (not included) to charge the device.
2. Switch the device on by turning the right knob clockwise.
3. The device will start up in either “radio” or “Bluetooth” mode, whichever it was set on during last use.

## **QUICK START – Listening To AM/FM Radio**

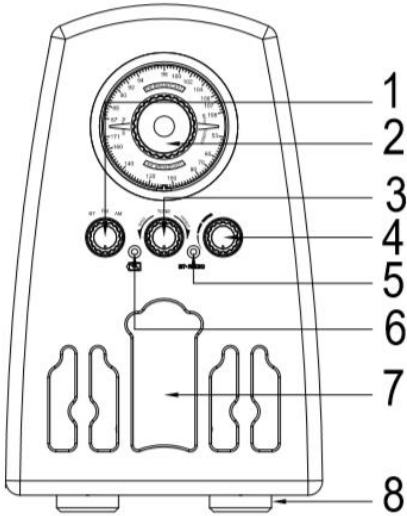
1. Fully charge the radio before use.
2. Switch to either “AM” or “FM” mode using the left knob.
3. Use the middle top knob (on the radio’s dial) to adjust the tuning of the radio.
4. Use the middle bottom knob to adjust the tone of the audio.
5. To adjust the volume, turn the right knob.

Note: To improve the reception of FM radio, simply adjust the pigtail antenna in the back of the radio.

## **QUICK START – Playing Music via Bluetooth**

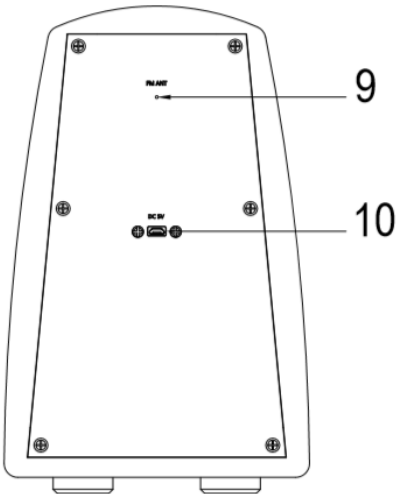
1. **NOTE:** If the radio does not have enough power, it will not be able to use Bluetooth. The battery charging LED (the left LED under the knobs) should be green. If it is off, that means the radio needs to be charged before use. If you encounter any issues with Bluetooth, please plug in or fully charge the unit, and then try again.
2. Switch the radio to Bluetooth mode by turning the left knob to the “BT” setting.
3. On your phone, tablet, or computer, search for the Bluetooth device named “Vintage Radio VR45.” Connect to this device.
4. The radio’s BT indicator light will be solid blue once connected.
5. Start playing music on your phone, tablet, or computer.
6. To adjust the volume, turn the right knob. (Note: You may also need to adjust the volume on your phone or tablet.)
7. To adjust the tone of the audio, turn the middle bottom knob.

# Radio Diagram & Features



## Front View

1. Mode Knob
2. Tuning Knob
3. Tone Knob
4. Power/Volume Knob
5. BT/Radio Indicator LED
6. Battery Charging LED
7. Speaker Grill
8. Radio Feet



## Rear View

9. FM Antenna
10. Micro USB charging socket

# Troubleshooting

## **1. Bluetooth has stopped working or I can't connect.**

A. Try charging or plugging in the radio. The “Battery Charging” LED needs to be green in order for the radio to work fully.

B. Make sure no other Bluetooth devices are connected to the radio before trying to connect to it via Bluetooth.

## **2. In Bluetooth mode, the radio's volume is turned up all the way, but the sound isn't loud enough.**

Make sure you have turned up the volume on your phone, tablet, or MP3 player as well.

## **3. I need further assistance or information on the product's warranty.**

Just email us at [support@clearclick.tech](mailto:support@clearclick.tech), and we'll get right back to you! If you haven't heard back from us within 1-2 business days, please check your “Spam” folder in your email.

*(This page was intentionally left blank.)*

## FCC Statement

Changes or modifications not expressly approved by the party responsible for compliance could void the user's authority to operate the equipment.

This equipment has been tested and found to comply with the limits for a Class B digital device, pursuant to Part 15 of the FCC Rules.

These limits are designed to provide reasonable protection against harmful interference in a residential installation. This equipment

generates uses and can radiate radio frequency energy and, if not installed and used in accordance with the instructions, may cause harmful interference to radio communications. However, there is no guarantee that interference will not occur in a particular installation. If

this equipment does cause harmful interference to radio or television reception, which can be determined by turning the equipment off and

on, the user is encouraged to try to correct the interference by one or more of the following measures:

-- Reorient or relocate the receiving antenna.

-- Increase the separation between the equipment and receiver.

-- Connect the equipment into an outlet on a circuit different from that to which the receiver is connected.

-- Consult the dealer or an experienced radio/TV technician for help

This device complies with part 15 of the FCC rules. Operation is subject to the following two conditions (1) this device may not cause harmful interference, and (2) this device must accept any interference received, including interference that may cause undesired operation.

This equipment complies with FCC radiation exposure limits set forth for an uncontrolled environment. This equipment should be installed and operated with minimum distance 20cm between the radiator & your body.



[www.ClearClick.tech](http://www.ClearClick.tech)