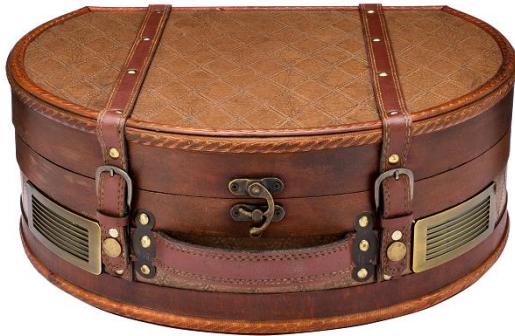


ClearClick® Vintage Suitcase Turntable

Quick Start Guide & User's Manual



3-Year Warranty +

FREE USA-Based Tech Support

If you have any issue or question regarding this product, **contacting us directly** is the fastest way to resolve the issue. We are ClearClick®, a small USA-based business, and we stand behind our products with a 3-year warranty & free USA tech support. If you have any issues with our product, **please contact us at support@clearclick.tech.**



www.ClearClick.tech

Register Your Product & Browse Our Products

Thank you for your purchase! Make sure you register your product & check out our other unique & easy-to-use technology at:

www.ClearClick.tech

Safety Precautions

1. Do not disassemble the unit.
2. Do not operate the unit around water or rain. Do not operate the unit around any kind of machines or appliances (other than computers).
3. Turn off and unplug the unit when not in use.
4. Do not allow young children to use this device.

Thank You!

Thank you for your purchase of the ClearClick® Vintage Suitcase Turntable! We appreciate your business.

At ClearClick®, we try to make our technology as clear to understand and use as possible. But if you get stuck at any point, you qualify for FREE USA-based tech support as a ClearClick® customer. Just email us at: support@clearclick.tech

(Make sure you explain your issue in detail and tell us that you're using our ClearClick® Vintage Suitcase Turntable). Our USA-based tech support team members will normally reply to you within 24-48 business hours.)

To get started with your ClearClick® Vintage Suitcase Turntable, please see the quick start guide on the following pages.

What's In The Box

- ClearClick® Vintage Suitcase Turntable
- Power Adapter
- USB Cable
- User's Manual

NOTE: If you believe you are missing any parts, or if you received a part that is broken, please contact us directly at parts@clearclick.tech. For all other technical issues or support, please contact us at support@clearclick.tech.

ALSO FROM 

**“Convert Your Cassette Tapes To CD or
MP3 in Just 3 Easy Steps...”**



Introducing the Cassette2USB™

Converter. Visit Our Website:

www.Cassette2USB.com

QUICK START – Listening To Records

1. Plug the power adapter into the back of the turntable. Plug the other end into any electrical outlet.
2. Switch the knob on the top of the turntable to “PHONO.”
Turn on the power switch. The power LED will light up red.
3. Remove the white plastic protective cover on the turntable needle. Remove the black protective twist ties on the turntable “arm”.
4. Place a record on the turntable and select the desired speed (33/45/78) according to the record.
NOTE: If you are playing a 45 RPM record, use the included 45 RPM adapter located in the holder near the tone arm.
5. Remove any protective twist ties from the tone arm. Open the tone arm clip to release the tone arm. Place the tone arm onto the record. The turntable will begin to spin after the arm is moved toward the record.
6. Turn the VOLUME CONTROL KNOB to adjust the volume.
7. If the Auto Stop Control Switch is turned ON, the record will stop automatically when finished. If Auto Stop Control Switch is turned OFF, the record will NOT stop automatically when finished.

NOTE: The AUTO STOP function works with most 33 RPM vinyl records. However, it may not work with all records.

QUICK START – Playing Music via Bluetooth

1. Plug the power adapter into the back of the turntable. Plug the other end into any electrical outlet.
2. Switch the knob on the top of the turntable to “BT.”
Turn on the power switch. The power LED will light up blue.
3. On your phone, tablet, or other Bluetooth device, scan for Bluetooth devices and connect to the one named “Vintage Turntable.”
4. The power LED will become solid blue once the turntable is connected to your Bluetooth device.
5. Start playing music on your Bluetooth device. Turn the VOLUME CONTROL KNOB to adjust the volume. (NOTE: You may need to adjust the volume on your phone or Bluetooth device as well.)

QUICK START – Playing Music via AUX IN

1. Plug the power adapter into the back of the turntable. Plug the other end into any electrical outlet.
2. Switch the knob on the top of the turntable to “LINE IN.”
3. Connect your phone or MP3 player to the AUX IN port using an “aux in” (3.5mm to 3.5mm) audio cable (not included).
4. Start playing music on your iPod or MP3 player, and adjust the volume both on the device and on the turntable.

QUICK START – Converting Records To MP3's Using Your PC or Mac

1. On your PC or Mac, load and install the included software CD. Alternatively, you can download the software from:

PC: <http://www.ClearClickSoftware.com/PC-Setup.exe>

MAC: <http://www.ClearClickSoftware.com/MAC-Setup.dmg>

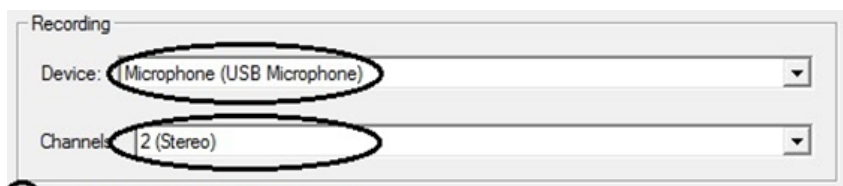
(After the file has downloaded it, double-click the setup file to install the software.)

If you are using a PC, the setup wizard will appear. Click “Next” in the prompts until the software is fully installed.

If you are using a Mac, drag the “Audacity” software icon into your Applications folder to install the software.

2. After the software is installed, plug the turntable into your PC or Mac using the included USB cable.
3. Open the “Audacity” software that you just installed on your PC or Mac. **NOTE:** the turntable must already be plugged in BEFORE opening the software.
4. In the software, click “Edit -> Preferences” (or Audacity -> Preferences on Mac).
5. Under the “Devices” section, set the “Recording Device” to the correct settings, as shown below. It will read something like:

“AudioDevice on USB Bus” or “USB Audio Device/USB Microphone”).” Also, set Channels to “2 (Stereo).”

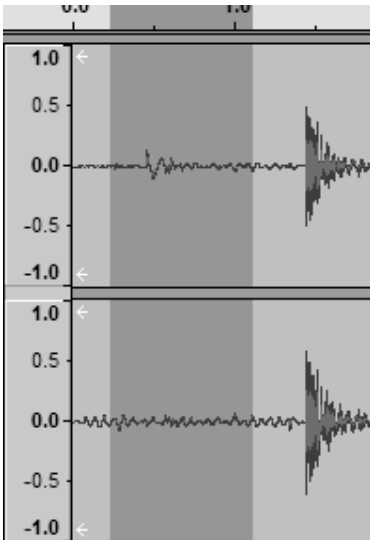


6. Load a record onto the turntable and start playing it (as described in the first Quick Start Guide)
7. Click the “Record” icon in the software, and your record will start transferring to your computer!
8. When the record has finished playing, click the “Stop” icon in the software.
9. To save your recorded audio, click File -> Export Audio (Audacity -> Export Audio on Mac).
10. Choose the name, location, and file type that you’d like to save your audio file as, and click “Save.” We recommend saving in “MP3” format.
11. The first time that you save an MP3 recording, the software may prompt you for a file called “lame_enc.dll.” This file can be downloaded at:
<http://www.clearclicksoftware.com/MP3-encoder.zip>
(Download the ZIP file and extract the DLL file. When Audacity asks for the “lame_enc.dll” file, point it to this file.)

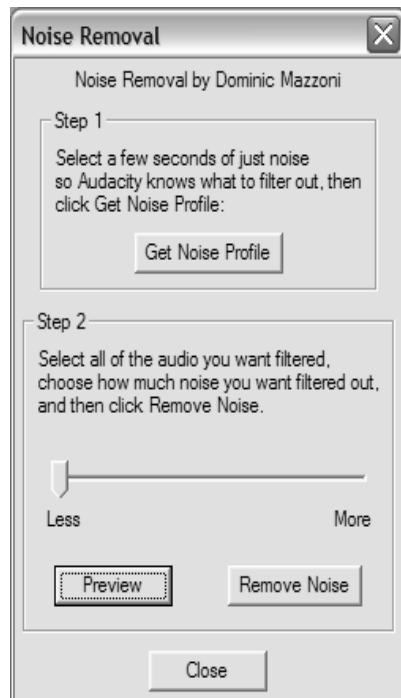
12. Your audio will be saved as a digital MP3 file!

How To Remove Noise From Your Recordings

1. Drag the cursor over a portion of the audio track to select a part which contains ONLY noise, no music, as shown below.

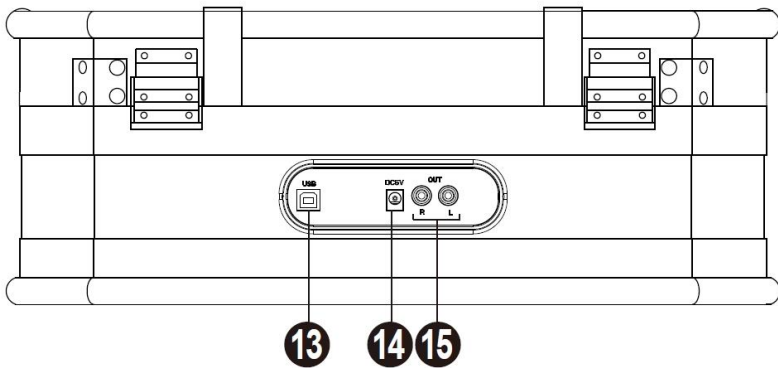
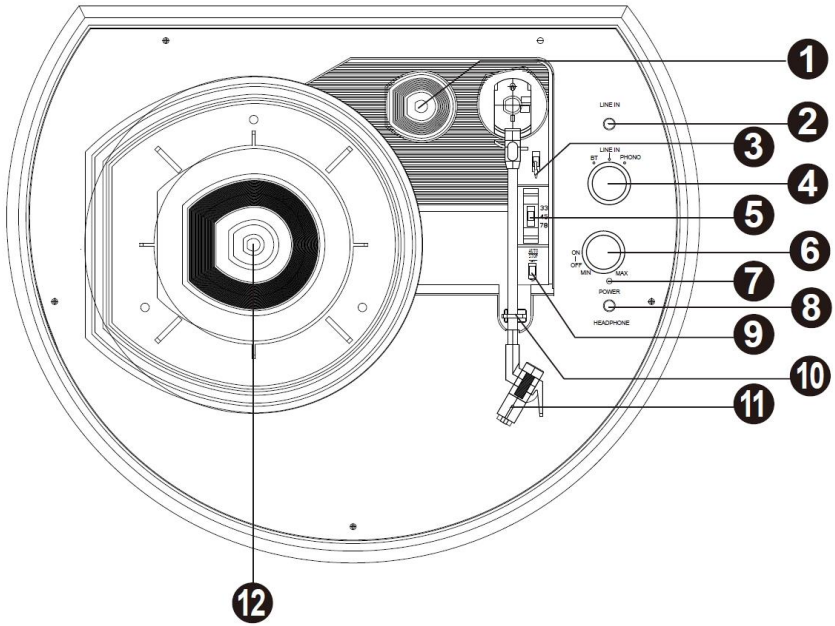


2. Click the Effect menu → Noise Reduction.



3. Click “Get Noise Profile”. The Noise Removal window will now close automatically.
4. Select the entire track of audio you wish to remove noise from. If you wish to clean up the entire recording, use “Select All” under the “Edit Menu”.
5. Repeat Step 2 to bring up the “Noise Removal” Window.
6. Adjust the amount of audio that you would like to filter by moving the slider in the “Noise Removal” window. We recommend using the minimum noise removal for optimum sound. Note: you can preview the audio before removing the noise by clicking on ‘Preview’.
7. Click the ‘Remove Noise’ button.
8. Remember to re-export your file if you want to save the changes.

Turntable Diagram



1. 45 RPM adapter holder – Holds the included 45 RPM adapter. When not using the adapter, please place it in this holder.
2. AUX IN port
3. Lift lever
4. Function switch knob
5. 33 / 45/78 RPM switch – This switch controls the RPM of the turntable platter.
6. Power on/off and volume control knob
7. Power indicator
8. Headphone jack
9. AUTO STOP ON/OFF switch
10. Tone arm lock
11. Ceramic cartridge
12. Platter – Place your record here. Please use the 45 RPM adapter, if the spindle is the incorrect size.
13. USB jack – Use to connect to computer for converting the records to digital MP3
14. DC IN jack
15. RCA output – Use to connect to external speakers (not included)

Frequently Asked Questions (FAQ)

1. What computers is the USB turntable compatible with?

The turntable is compatible with both Microsoft Windows 10, 8, 7, Vista, XP and Apple Mac OS X.

2. When I record audio from my converter, I don't get any sound.

Make sure you have the correct recording device set.

PC: Set the "Recording Device" to "USB Microphone/Audio Device" or "AudioDevice On USB Bus".

MAC: In the software, click Audacity → Preferences and set the "Recording Device" to "USB Microphone/USB Audio Device" (Device name may vary slightly)

3. How do I save my audio recordings as MP3?

After recording your audio recording, use the File/Audacity → Export Audio feature inside the software.

The first time you do this, you will be asked to locate a file called "lame_enc" to add this feature to the software. This file can be downloaded at:

<http://www.clearclicksoftware.com/MP3-encoder.zip>

(Download the ZIP file and extract the DLL file. When Audacity asks for the "lame_enc.dll" file, point it to this file.)

4. How do I use the turntable to import music into iTunes?

First, convert your record to WAV or MP3 format and save it on your PC. You can then import your recordings into iTunes and put them on your iPod/iPad/iPhone.

5. My audio recordings don't sound good.

- 1) Try setting the speed selector to the correct speed setting based on the type of record you are listening to.
- 2) Turn down the "Recording" / "Microphone" volume in the software.
- 3) Under File/Audacity → Preferences, set "Channels" to "2 (Stereo)" in the "Devices" section.
- 4) If your recordings still are low quality, it is possible that your original vinyl record's quality has degraded over time.
- 5) If you are running the noise removal feature, try recording without using the noise removal feature. Running this feature on recordings without enough noise to remove will result in poor recordings.

6. The software doesn't record audio correctly or I can't hear anything during playback.

- 1) After recording, unplug your turntable from your PC. Then export your recording as a WAV or MP3 file and exit the software. Finally, play your music in software such as Windows Media Player or iTunes.
- 2) Make sure you have the correct recording device set. In the software, set the "Recording Device" to something like "USB

Audio Device” or “USB Microphone.”

7. How do I split up my recording into individual tracks?

First, use the mouse to select a track. Do this by clicking and dragging between the silences (flat lines). Use the “Zoom In/Out” tool if necessary.

Then, click File/Audacity → “Export Selected Audio.” Select a location to save the file. Repeat the process for the remaining tracks that are recorded. When finished, you may exit Audacity and say “no” when asked to save the file.

8. Is there a way to make the audio transfer faster?

Transfers must be done at normal speed. This is because the turntable records the actual audio that is emitted by the player.



Need Help With
Anything? We Are Here
To Help! Email Us At:
support@clearclick.tech

Federal Communications Commission Notice

This device complies with part 15 of the FCC Rules. Operation is subject to the following two conditions: (1) This device may not cause harmful interference, and (2) this device must accept any interference received, including interference that may cause undesired operation.

Any Changes or modifications not expressly approved by the party responsible for compliance could void the user's authority to operate the equipment.

Note: This equipment has been tested and found to comply with the limits for a Class B digital device, pursuant to part 15 of the FCC Rules. These limits are designed to provide reasonable protection against harmful interference in a residential installation. This equipment generates uses and can radiate radio frequency energy and, if not installed and used in accordance with the instructions, may cause harmful interference to radio communications.

However, there is no guarantee that interference will not occur in a particular installation. If this equipment does cause harmful interference to radio or television reception, which can be determined by turning the equipment off and on, the user is encouraged to try to correct the interference by one or more of the following measures:

- Reorient or relocate the receiving antenna.
- Increase the separation between the equipment and receiver.
- Connect the equipment into an outlet on a circuit different from that to which the receiver is connected.
- Consult the dealer or an experienced radio/TV technician for help.

The device has been evaluated to meet general RF exposure requirement. The device can be used in portable exposure condition without restriction.



www.ClearClick.tech