

VINTAGE TURNTABLE

MODEL: TT24



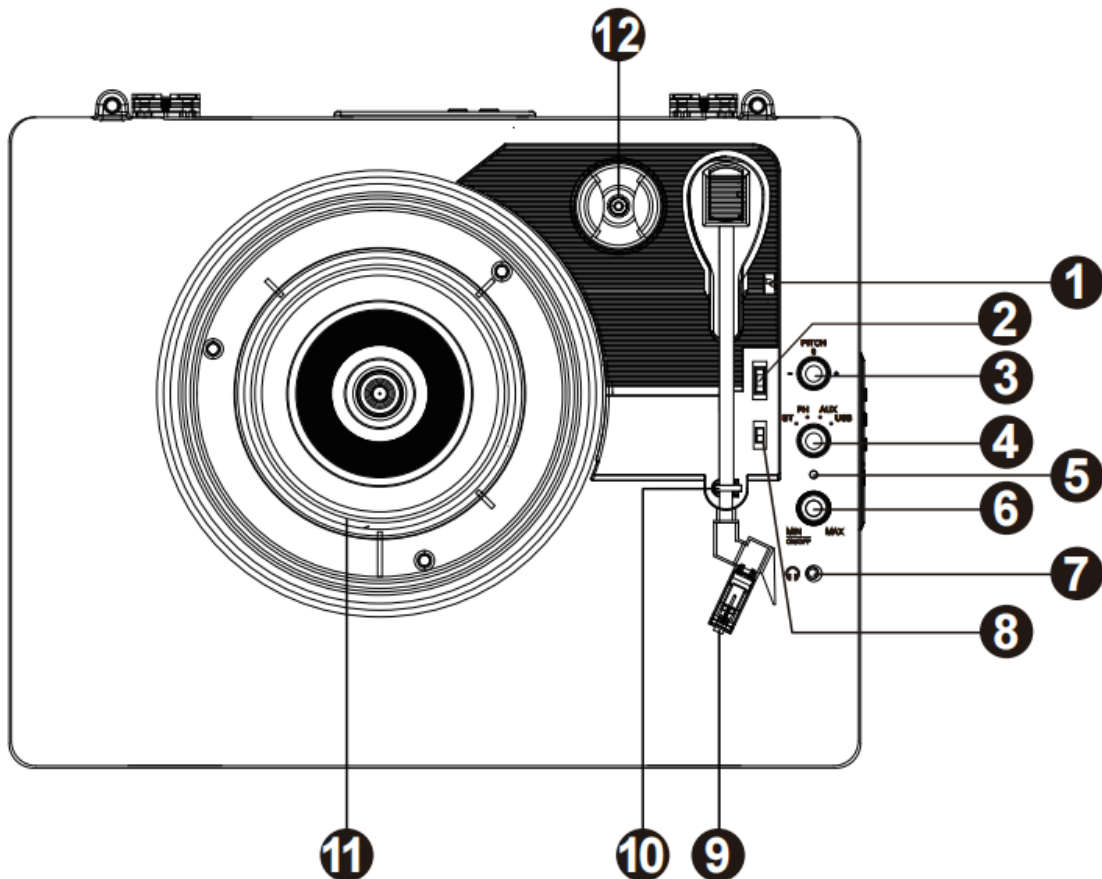
Instruction Manual

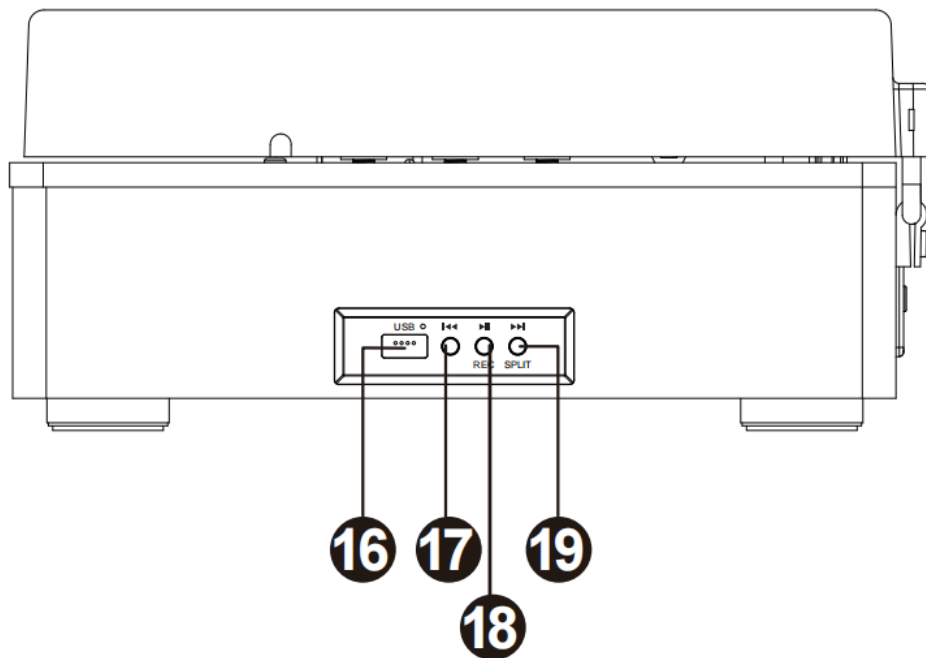
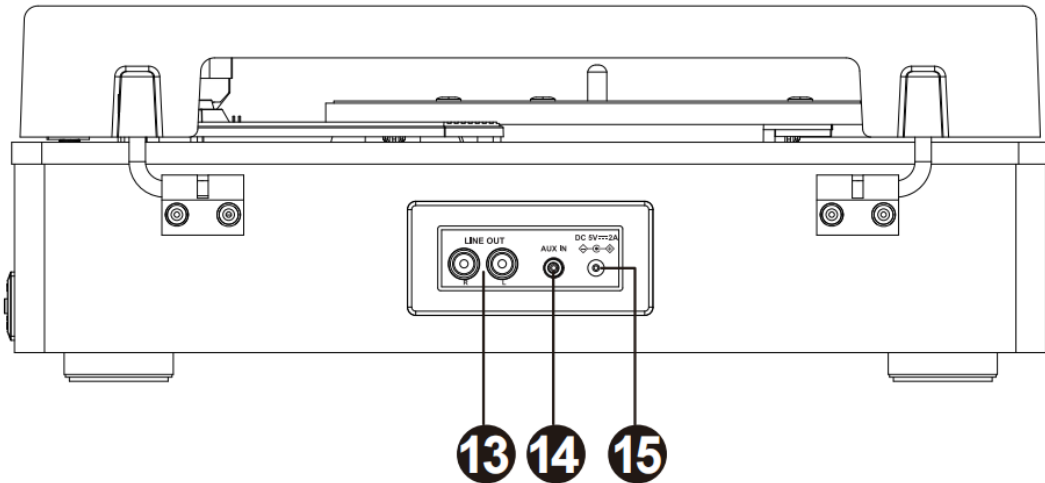
PLEASE READ THIS MANUAL CAREFULLY BEFORE USE AND KEEP IT FOR
FUTURE REFERENCE

BEFORE USE

1. Choose a safe location and avoid placing the unit in direct sunlight or near any heat source.
2. Avoid locations subject to vibrations, excessive dust, cold or moisture.
3. Do not open the cabinet as this may result in electrical shock. If a foreign object is inserted accidentally contact your dealer.
4. When removing the power plug from the wall outlet, pull directly on the plug, NOT the cord.
5. Do not attempt to clean the unit with chemical solvents as this might damage the finishing. A clean, dry cloth is recommended for cleaning.
6. Keep this manual for future reference.

Turntable Parts & Features





1. Tone arm Lever
2. 33/45/78 RPM switch – This switch controls the speed of the turntable platter
3. Pitch control knob
4. Mode selection knob
5. Indicator
6. Power on/off and volume control knob
7. Headphones jack—to connect headphones or earphones to enjoy music privately
8. AUTO STOP ON/OFF switch
9. Stylus—there is a white stylus protector covering on the stylus, remove it before use.
10. Tone arm clip
11. Platter – Place your record here.

- 12.45 RPM adapter –used for 45RPM vinyl records
- 13.RCA output – Used to connect to external speakers (not included)
- 14.AUX IN jack
- 15.DC IN port – Used to connect power adapter
- 16.USB port
- 17.PREV button
- 18.PLAY/PAUSE/ REC button
- 19.NEXT button

GETTIING STARTED

Fix the dust cover onto the turntable.

Firmly and securely insert the DC plug of the adaptor to the DC IN Jack on the back of the unit.Plug the adaptor's AC plugs into a power outlet.

PHONO MODE---VINYL RECORD PLAYBACK

1. Turn the mode selection knob to PH.
2. Turn the power & volume control knob clockwise. The indicator light will illuminate red.
3. Place a record on the turntable platter and select the desired speed (33/45/78) according to the record.

NOTE: when playing a 45RPM record, use the included 45RPM adapter located in the holder besides the platter(one more 45RPM adaptor can be found in the accessory bag).

4. Remove the stylus protector. Open the tone arm clip to release the tone arm. Push the lift lever(it is besides the auto stop switch) backward to raise the tone arm and gently move the tone arm to the desired position over the record. You can turn the pitch control knob to adjust the speed of the platter little by little. The turntable will begin to spin when the tonearm is moved toward the record(when the AUTO STOP switch is ON). Push the lift lever forward to lower the tone arm slowly onto the desired position on the record to start playback.
5. If the Auto Stop Control Switch is turned ON, the record will stop automatically when finished. If Auto Stop Control Switch is turned OFF, the record will NOT stop automatically when finished.

Remark: AUTO STOP function applies to most 33RPM vinyl records. However, for very few vinyl records, it will stop when it does not come to the end(in this case, turn the AUTO STOP switch to OFF position and then it will continue playback), or it will not stop when it comes to the end when AUTO STOP is ON.

BLUETOOTH MODE

Turn the function knob to BT mode. The LED indicator will flash in blue color.

Turn on the BT-function on your mobile phone or tablet PC on and then search the turntable player (**SoundBeast TT24**). After pairing, the LED will light up continuously in blue color and you can play your music on your mobile phone or tablet PC on this turntable player. Turn the

volume control to adjust the volume. (The volume control of the mobile phone, tablet or PC can also affect the total volume).

USB RECORDING

Plug your USB stick into the USB port. During the vinyl records playback, press the REC button and the indicator will flash red and blue alternatively. The vinyl recording starts. Press **SPLIT** button when recording, the current record will be cut off and automatically stored in a file. Press **SPLIT** button again and it will generate another file. Press the **REC** button to stop the recording. The indicator will become red during recording, and the recorded files(MP3 format) will be saved in the USB stick.

AUX IN MODE

Connect your iPod, MP3 player, mobile phones etc. to the AUX IN port with a 3.5mm-3.5mm audio cable(not included).

Turn the mode selection knob to **AUX**.

You can play music from an auxiliary device through the unit.

Turn the VOLUME CONTROL KNOB to adjust the volume. (The iPod, MP3 player, mobile phones' volume control may also impact on Volume Level so ensure this is also turned up).

USB PLAYBACK MODE

Turn the mode selection knob to USB. Plug in USB drive and play music.

Press PLAY/PAUSE/REC to play or pause.

Press PREV button to play the previous track.

Press NEXT button to play the next track.

MUSIC PLAYBACK on your own speaker system

Connect your own speaker system to the RCA port with a RCA-3.5mm audio cable (not included).

You can enjoy the music of the vinyl records at your own speaker system.

How to Replace the Turntable Stylus (Needle)

Removing the Stylus from the Cartridge

1. Place a screwdriver at the tip of the stylus and push downward as shown in direction "A".



2. Remove the stylus by pulling the stylus forward and pushing downward.

Installing the Stylus

1. Hold the tip of the stylus and insert the stylus by pressing as shown in direction "B".
2. Push the stylus upward as in direction "C" until the stylus locks into the tip position.

TIPS FOR BETTER TURNTABLE PERFORMANCE

1. When opening or closing the turntable cover, handle it gently, gripping it either at the centre or at each side.
2. Do not touch the needle tip with your fingers; avoid bumping the needle against the turntable platter or record edge.
3. Frequently clean the needle tip-use a soft brush in a back-to-front motion only.
4. If you must use a needle cleaning fluid, use very sparingly.
5. Gently wipe the dust cover and turntable housing with a soft cloth. Use only a small amount of mild detergent to clean the turntable and dust cover.
6. Never apply harsh chemicals or solvents to any part of the turntable system.

FCC Statement

Changes or modifications not expressly approved by the party responsible for compliance could void the user's authority to operate the equipment.

This equipment has been tested and found to comply with the limits for a Class B digital device, pursuant to Part 15 of the FCC Rules. These limits are designed to provide reasonable protection against harmful interference in a residential installation. This equipment generates uses and can radiate radio frequency energy and, if not installed and used in accordance with the instructions, may cause harmful interference to radio communications. However, there is no guarantee that interference will not occur in a particular installation. If this equipment does cause harmful interference to radio or television reception, which can be determined by turning the equipment off and on, the user is encouraged to try to correct the interference by one or more of the following measures:

- Reorient or relocate the receiving antenna.
- Increase the separation between the equipment and receiver.
- Connect the equipment into an outlet on a circuit different from that to which the receiver is connected.
- Consult the dealer or an experienced radio/TV technician for help

This device complies with part 15 of the FCC rules. Operation is subject to the following two conditions (1) this device may not cause harmful interference, and (2) this device must accept any interference received, including interference that may cause undesired operation.

This equipment complies with FCC radiation exposure limits set forth for an uncontrolled environment. This equipment should be installed and operated with minimum distance 20cm between the radiator & your body.