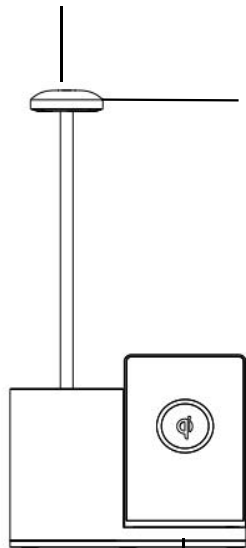


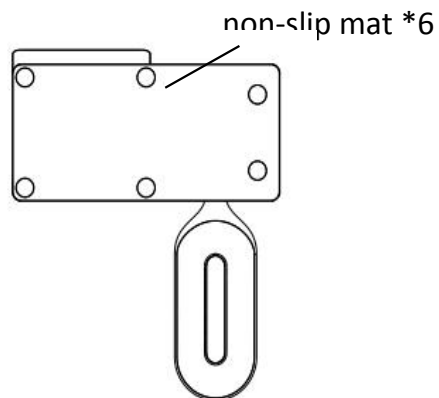
# Lamp w/desk organizer and wireless charger

## User Manual

Lamp switch  
LED lamp



Wireless charging panel

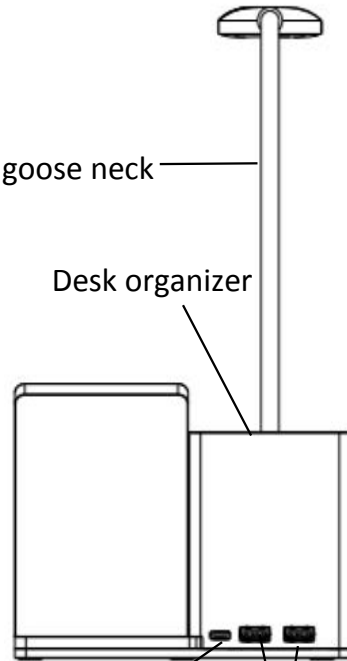


Flexible goose neck

Desk organizer

USB C charging port

2USB ports



## Specifications

Model No.: ENZ1003-BLK

FCC ID:2ASCK-GW34

Input: DC 9V 2A

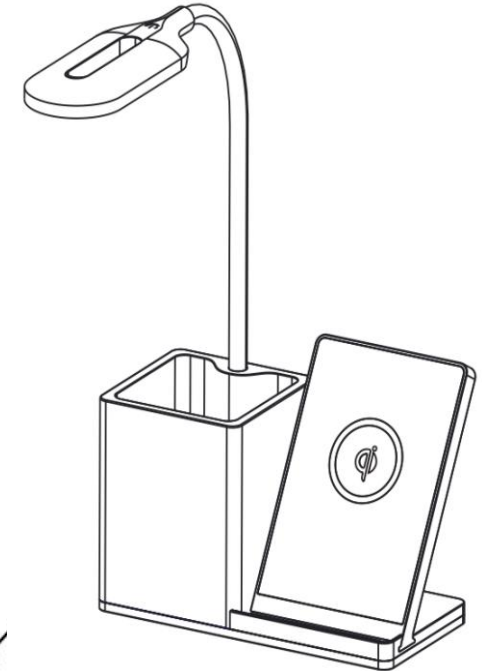
Wireless Output: 10W

2USB Output: DC 5V 2A total

Led Lamp Power: 2W

MID#3930721

MADE IN CHINA

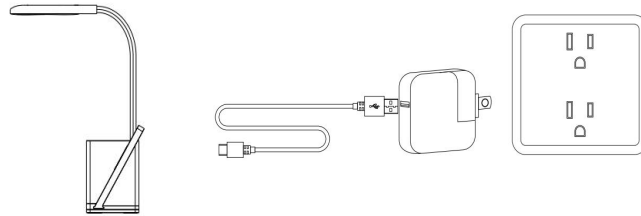


## Standard Accessories

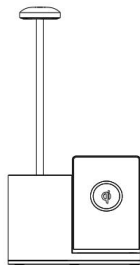
1. Wireless charger with Lamp & desk organizer x 1pc
2. USB A to USB C charging cable x 1pc
3. User manual x 1pc

## Instructions

1. Connect wireless charger with AC source by power adapter, wireless charger turn on, indicator shows green color in 3 seconds and go into blue color in 15 seconds for standby mode. Flexible gooseneck is easy for adjustable.



2. When the charger of QC3.0 is connected to the master seat and put into the device in use, the wireless output 10W quick charging can be performed, 2USB are workable for charging of 2 devices at the same time. When product is powered on, the blue light on for 2S, when standby mode, normally on a red light, when charging mode, blue light is on, when there is foreign bodies nearby, blue lights flashing, when full charged, normally on a red light



3. Touch lamp switch, the lamp will lighting on, the lamp has 3 types of lighting mode: strong cold light, strong warm light, dim warm light, then touch one more time to turn off it.

4. When there is metal foreign body on the surface of the coil, stop the external output, remove the foreign body can be restored to normal.

## Attention

1. Please keep the charger away from water or other liquid.
2. If you need to lean the charger, please make sure it is power off.
3. Using environment: Working temperature:  $-0\sim 45^{\circ}\text{C}$ , Storage humidity: 45~85%RH

**FCC Statement**

Changes or modifications not expressly approved by the party responsible for compliance could void the user's authority to operate the equipment. This equipment has been tested and found to comply with the limits for a Class B digital device, pursuant to Part 15 of the FCC Rules. These limits are designed to provide reasonable protection against harmful interference in a residential installation. This equipment generates uses and can radiate radio frequency energy and, if not installed and used in accordance with the instructions, may cause harmful interference to radio communications. However, there is no guarantee that interference will not occur in a particular installation. If this equipment does cause harmful interference to radio or television reception, which can be determined by turning the equipment off and on, the user is encouraged to try to correct the interference by one or more of the following measures:

- Reorient or relocate the receiving antenna.
- Increase the separation between the equipment and receiver.
- Connect the equipment into an outlet on a circuit different from that to which the receiver is connected.
- Consult the dealer or an experienced radio/TV technician for help

This device complies with part 15 of the FCC rules. Operation is subject to the following two conditions (1) this device may not cause harmful interference, and (2) this device must accept any interference received, including interference that may cause undesired operation.

This equipment complies with FCC radiation exposure limits set forth for an uncontrolled environment. This equipment should be installed and operated with minimum distance 20cm between the radiator & your body