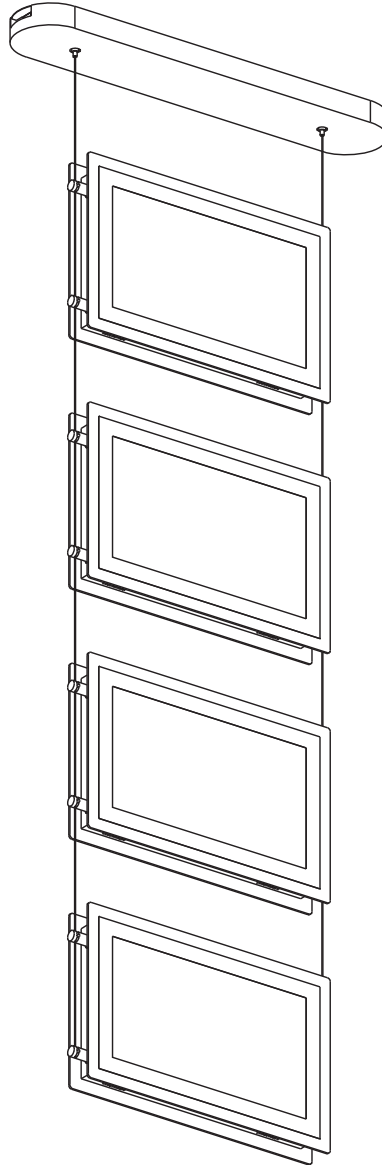


USER MANUAL



Scan QR code to visit
the product page:



Model: DGSWDS156

Description: 15.6-Inch Digital Suspended Window Display System

FCC ID: 2ASCB-DGSWDS156

This device complies with Part 15 of the FCC Rules. Operation is subject to the following two conditions:

(1) this device may not cause harmful interference, and
(2) this device must accept any interference received, including interference that may cause undesired operation.

Any changes/modifications to this equipment not approved by George Patton Associates could void the user's authority to operate the equipment.

Operating Instructions for Digital Signage

Note: Before using the product, please read the instructions carefully!

Do not attempt to disassemble this product. If the product does not work properly, please call our Customer Service Department at 1-844-221-3393.

Contents

Features	3
Safety Warnings and Precautions	3
Assembly and Connection	6
Packing List.....	6
Description of Parts	7
Assembly Instructions	8
Remote Control of the LCD Screen	17
Installing batteries for the remote control	17
Precautions for using the remote control	17
Description of remote control buttons	17
Description of Basic Operation	18
Power on/Standby	18
Interface and Home Screen	18
Description of Wallpaper Switch	19
File Manager	19
Local Settings	20
Status of Menu bar	21
DiViEx APP Introduction	21
System requirements	21
How to upload media files	21
Settings	23
Edit picture	23
Music	25
Factory Reset	25
Screen Rotation	26
Choose System Language	27
Technical Specifications	28
Troubleshooting the Digital Signage.....	30
Cleaning and Maintenance	33
Names and Contents of Toxic and Hazardous Substances or Elements in the Product	34

Features

1. Embedded with Android 7.1 smart operating system and unique UI design, bringing you a more convenient operation and better visual experience.
2. Supports USB mouse and keyboard, allowing easy manipulation like a computer. Using a mouse for set up is recommended.
3. Built-in Wi-Fi module, high-capacity memory and high-capacity cache, making it smoother to watch 1080P HD movies and play big games.
4. High-quality LCD screen as the display, with no flicker, low radiation, greatly reducing eye fatigue, eye protection, high brightness, high contrast, and wide viewing angle; ultra-fast response time greatly reduces ghosting of fast moving images.
5. Progressive image processing and industry-leading motion compensation technology improve the flickering and blurring in the edges of motion picture.
6. Dynamic contrast technology can significantly improve the clarity and contrast of various screens.
7. Multi-channel USB interfaces, supporting HD media streaming.





Safety Warnings and Precautions

Thank you for purchasing the high-performance multi-functional LED backlight Digital Signage from Displays2Go. We have considered the factors to ensure personal safety in product design and have tested rigorously at the factory. However, improper installation and use may result in electric shock and fire. In order to safely use, maximize performance of the unit and extend the life of the product, please read and follow all instructions carefully before using the product.

Keep the instructions for future reference.

We strongly recommend using a surge protector, or a power strip with internal circuit breaker to prevent damages to the digital signage.

Symbol Legends:


-  **Warning: May cause personal injury or death**
-  **The operation is prohibited**
-  **Caution: May cause damage or property loss**
-  **The operation must be executed**

If any of the following occurs:

- Power outage or instable voltage.
- Abnormal sound or smell from the unit.
- AC power cord is damaged.
- Digital Signage is damaged due to drop, knock or impact.
- Any liquid or foreign matters fall into the enclosure.



Turn off the Digital Signage immediately, pull out the plug from the power outlet, and ask the authorized personnel for maintenance timely.

 **If coal gas or other flammable gas leaks, do not pull out the plug of the LCD Digital Signage or other electrical appliances; instead, turn off the gas valve immediately, and open the doors and windows quickly.**

 **WARNING**

- ⊘ • Do not use power supply other than AC 110V, 60Hz.
- Cut off the power supply before connecting or disconnecting any cables.
- Do not place the Digital Signage on any instable positions, or else it may be damaged or cause fire.
- Do not place the Digital Signage in the positions such as:
 1. The environment subject to direct strong sunlight, moisture, extreme temperature or too much dust;
 2. The environment with flammable or explosive materials;
 3. The environment with flammable or corrosive gases;
- Do not use damaged or inappropriate power outlets, and ensure that the plugs and outlets contact properly.
- Do not let dust or metal deposits adhere to the plugs and outlets.
- Do not damage the power cords:
 1. Do not modify the power cords;
 2. Do not place heavy objects on the power cords;
 3. Keep the power cords away from heat source;
 4. Do not pull the cord to remove the plug.
- Do not connect too many plugs to one outlet in parallel, or else it may cause fire due to excessive power consumption.
- Do not approach the Digital Signage with open flame (e.g. a lighted candle), or else it may cause electric shock or fire.
- Do not put any sharp objects, metal or liquid into the vents or let them touch the signal terminals to avoid short circuit, product damage, and electric shock.
- The openings in the enclosure are designed for ventilation and cooling, to ensure long time reliable running of components inside the enclosure and prevent overheating. Do not block the openings when place the unit.

- ⊘ Do not touch the plugs with wet fingers, or else it will cause electric shock.

Do not use the Digital Signage in stormy weather, especially when there is lightning; instead, please disconnect the power and antenna plugs to avoid lightning strike.





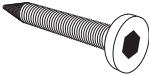



- ⊘ Do not disassemble the Digital Signage without permission, or else it may cause electric shock or fire. Please ask qualified technician for repair.

 **CAUTION**

- Do not let children climb onto the Digital Signage.
- Keep the small parts away from children to prevent them from swallowing.
- If the Digital Signage won't be used for a long time, please turn it off and pull out the power plug.
- To adjust the position of the Digital Signage, please disconnect all power cords and move slowly to avoid tip over.
- Do not scratch or knock the LCD with hard object, or twist and squeeze the LCD.
- Do not turn on the unit immediately when it is moved from a place with low temperature to high temperature, or else it will cause condensation and malfunction.
- Before cleaning the Digital Signage, please pull out the power plug; wipe with soft cloth; do not use industrial chemicals; prevent foreign matters from entering the machine. Improper cleaning (such as cleaning solution, water) may damage the product, erase the printed information, and even cause damage of the components if fluid flows in, resulting in machine failure.
- If the unit displays the same screen for a long time or the moving picture has fixed text or icon, it will leave ghosting on the screen and won't disappear when the unit is turned off; it is normal and isn't covered by the warranty.
- The power of the Digital Signage can be cut off by pulling out the plug.
- If the LCD screen ruptures and the liquid splashes on the skin, rinse with clean water for 15 minutes immediately, and consult your doctor.
- To carry the Digital Signage with hands, please grab and hold the edges; do not apply pressure on the panel.
- Use the Digital Signage properly: Use in proper lighting conditions; insufficient lighting or long time watching will impair your eyesight.
- When the plug or coupler is used as disconnection device, it should be easy to operate the device.
- Insert the plug into the outlet properly, or else it may cause sparks and fire.
- The technical specifications printed herein and on the packaging are subject to change without prior notice. The Manual may be slightly different from actual operation, and the latter is applicable.

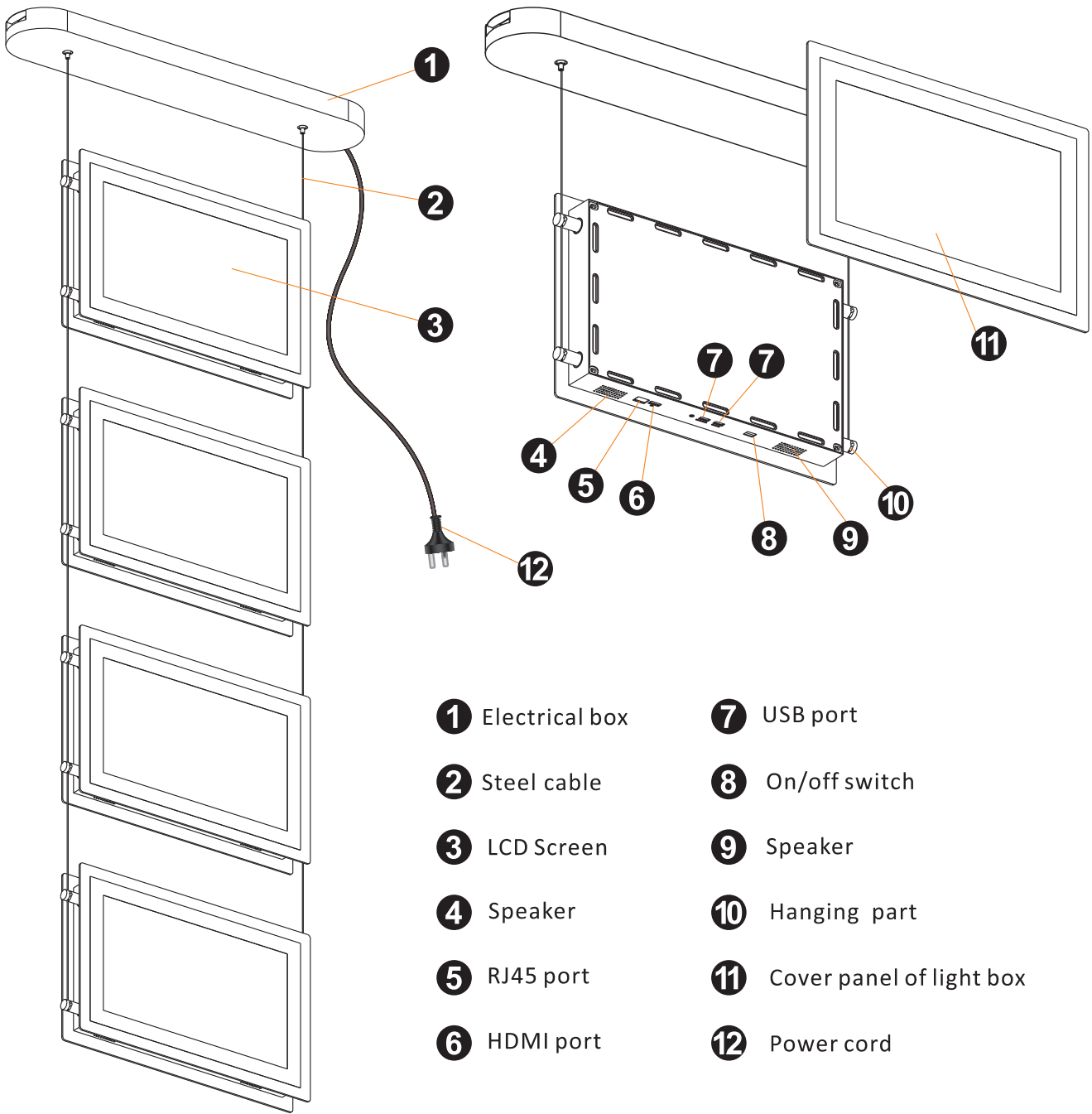
Assembly and Connection

Parts List

Part Name	Picture	Qty
Remote control		1
Wireless mouse		1
M6 x 50 expansion bolt		8
Anchor		8
M5 x 50 screws		8
Cable tie		2
Hex wrench		1
User manual		1

NOTE: It is recommended to use a mouse to control one display panel at a time for precise operations.

Description of Parts



- | | |
|-------------------------|------------------------------------|
| 1 Electrical box | 7 USB port |
| 2 Steel cable | 8 On/off switch |
| 3 LCD Screen | 9 Speaker |
| 4 Speaker | 10 Hanging part |
| 5 RJ45 port | 11 Cover panel of light box |
| 6 HDMI port | 12 Power cord |



CAUTION: Disconnect the power plug before assembling or disassembling the unit!

Assembly Instructions

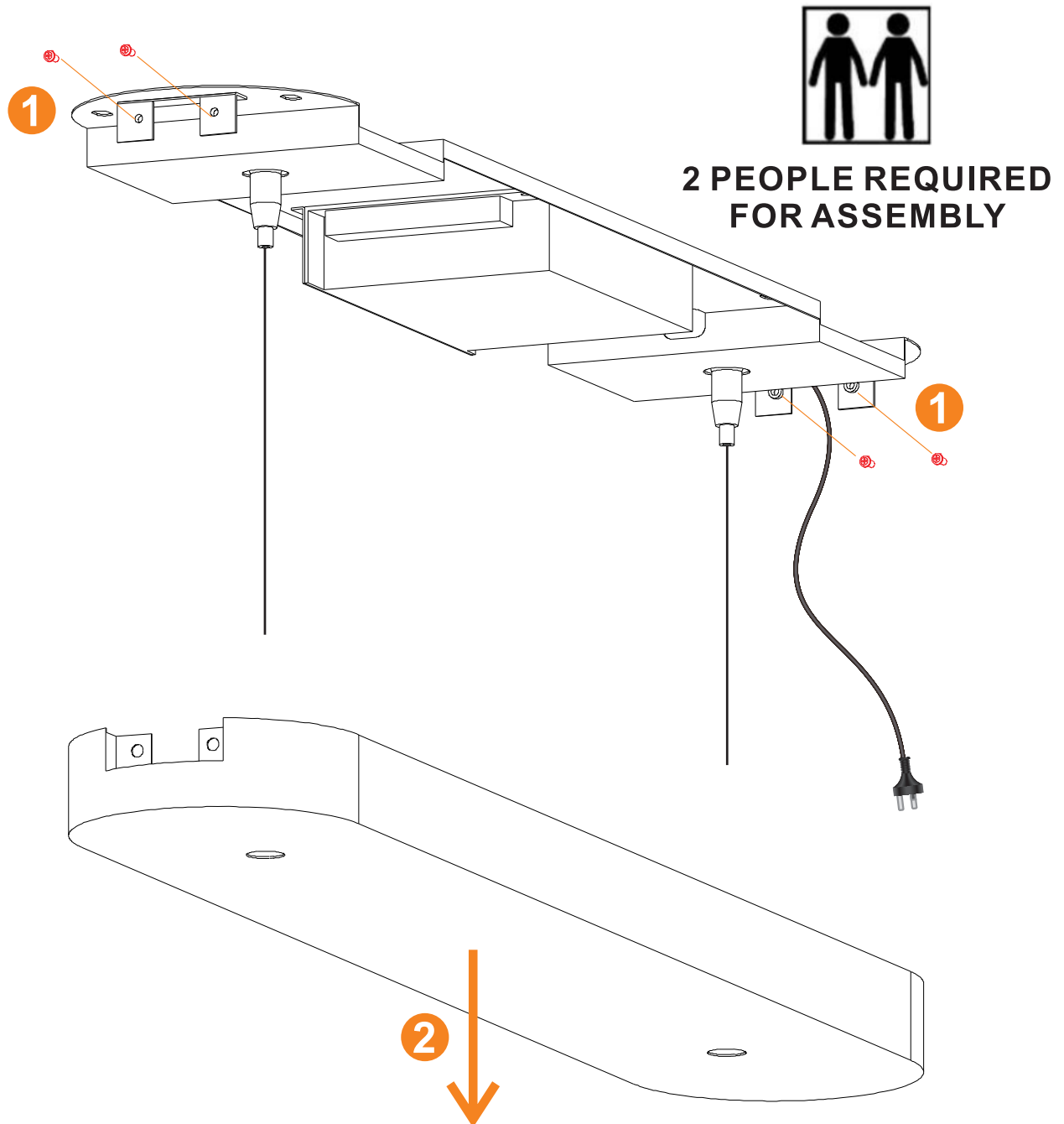
NOTE: When assembling all digital screens must be facing the same direction and all light boxes facing the opposite direction.

1. Remove the screws and open the electrical box.

1-1: Remove two M3x6 screws from each side.

1-2: Disconnect and separate the top cover completely from the bottom cover.

Notes: Also retract two hanging cables from bottom cover on both sides.



2A. Installation of electrical box.

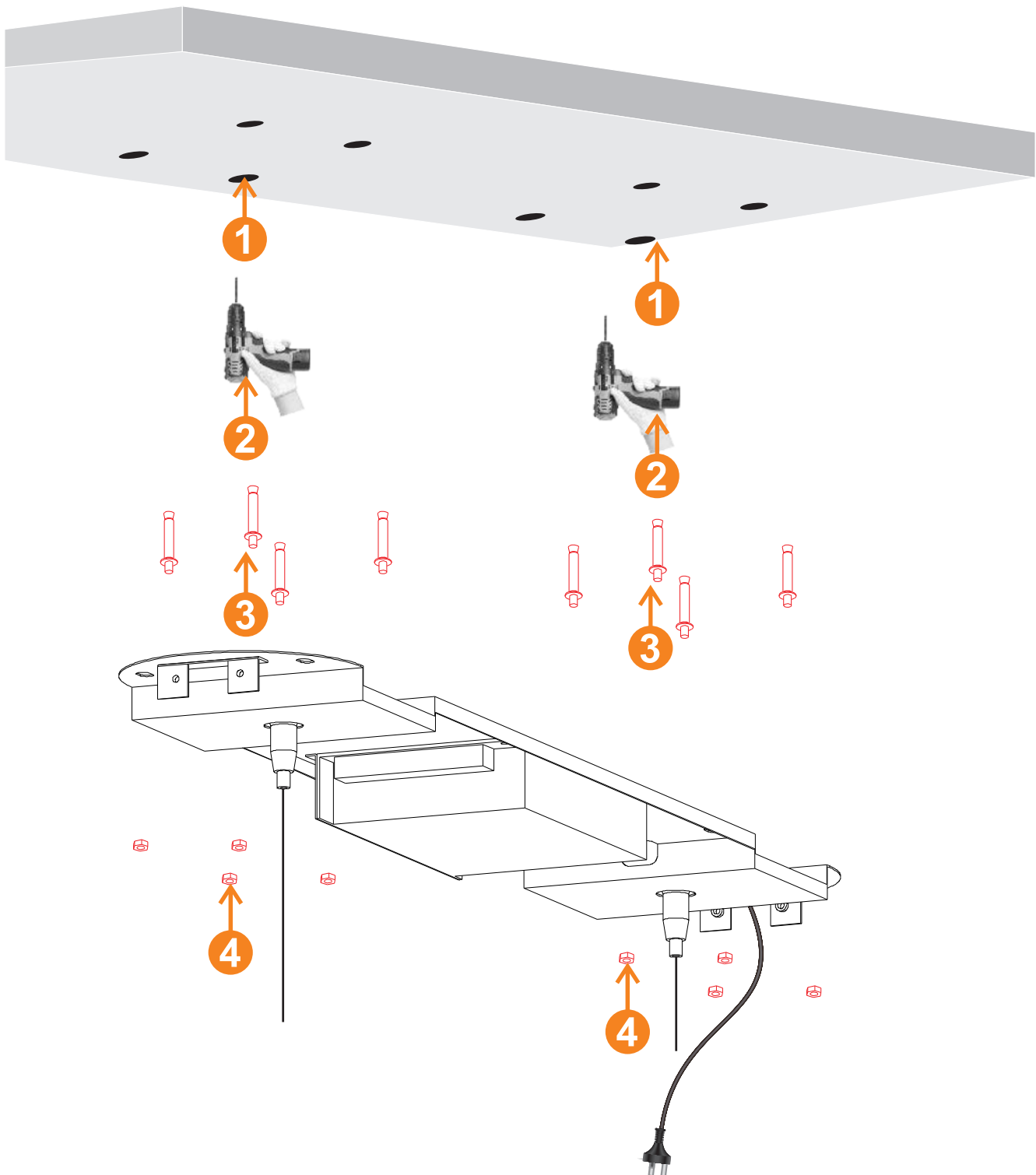
(This step is for solid ceiling such as concrete or cement ceiling ONLY. Get help from professional for proper installation as needed.)

2A-1: Place the mounting plate at the desired location on the ceiling and mark the center of each hole.

2A-2: Remove the mounting plate and drill holes at the marked positions on the ceiling.

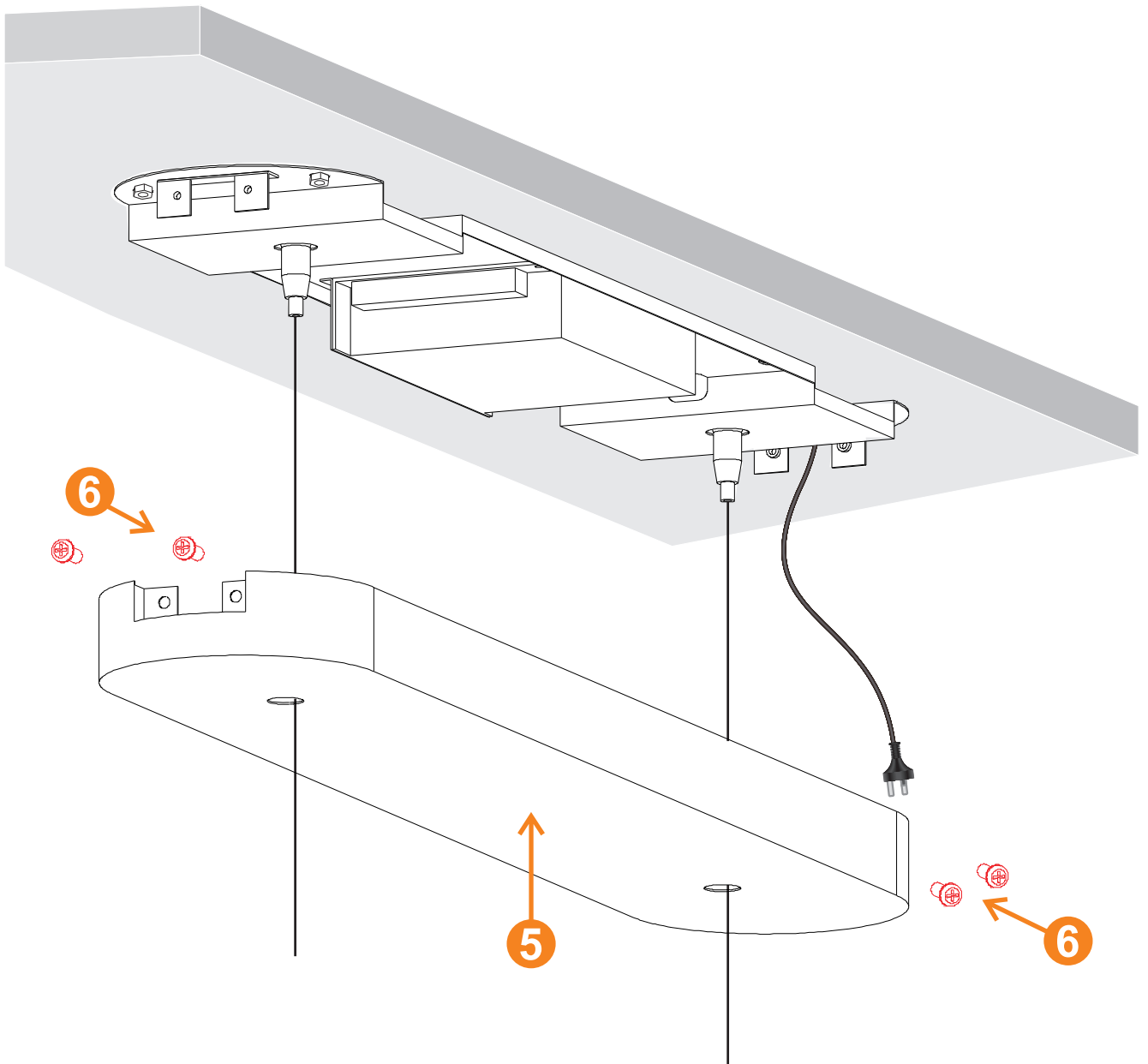
2A-3: Insert the expansion screws into the drilled holes.

2A-4: Align the top cover with eight expansion screws, and then tighten the nuts.



2A-5: Insert the two hanging cables into holes on the bottom cover, and slide the cover up.

2A-6: Aligned screw holes on both sides and secure the cover with screws.

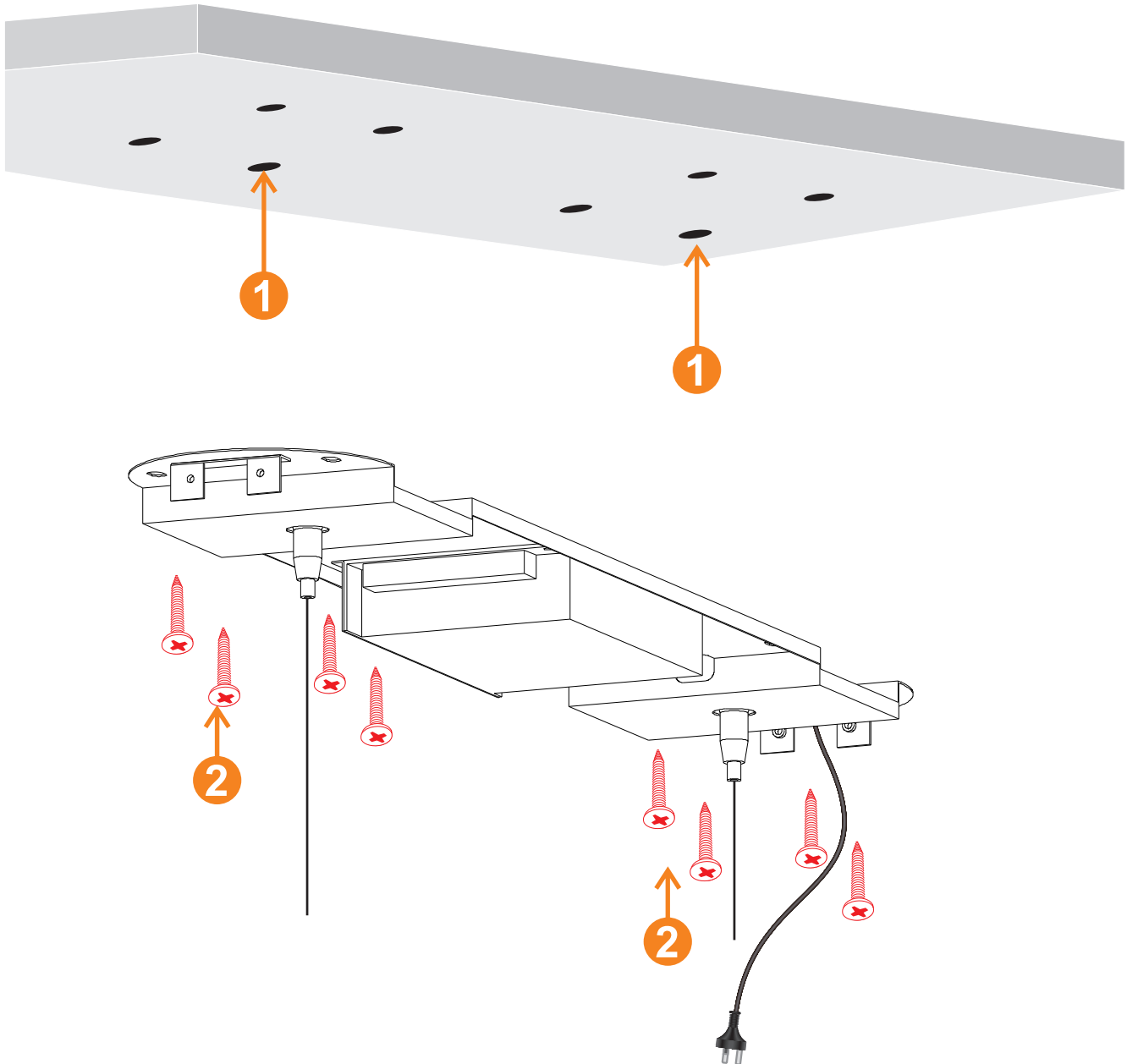


2B. Installation of electrical box.

(This step is for soft ceiling such as wood or drywall ceiling ONLY. Get help from professional for proper installation as needed.)

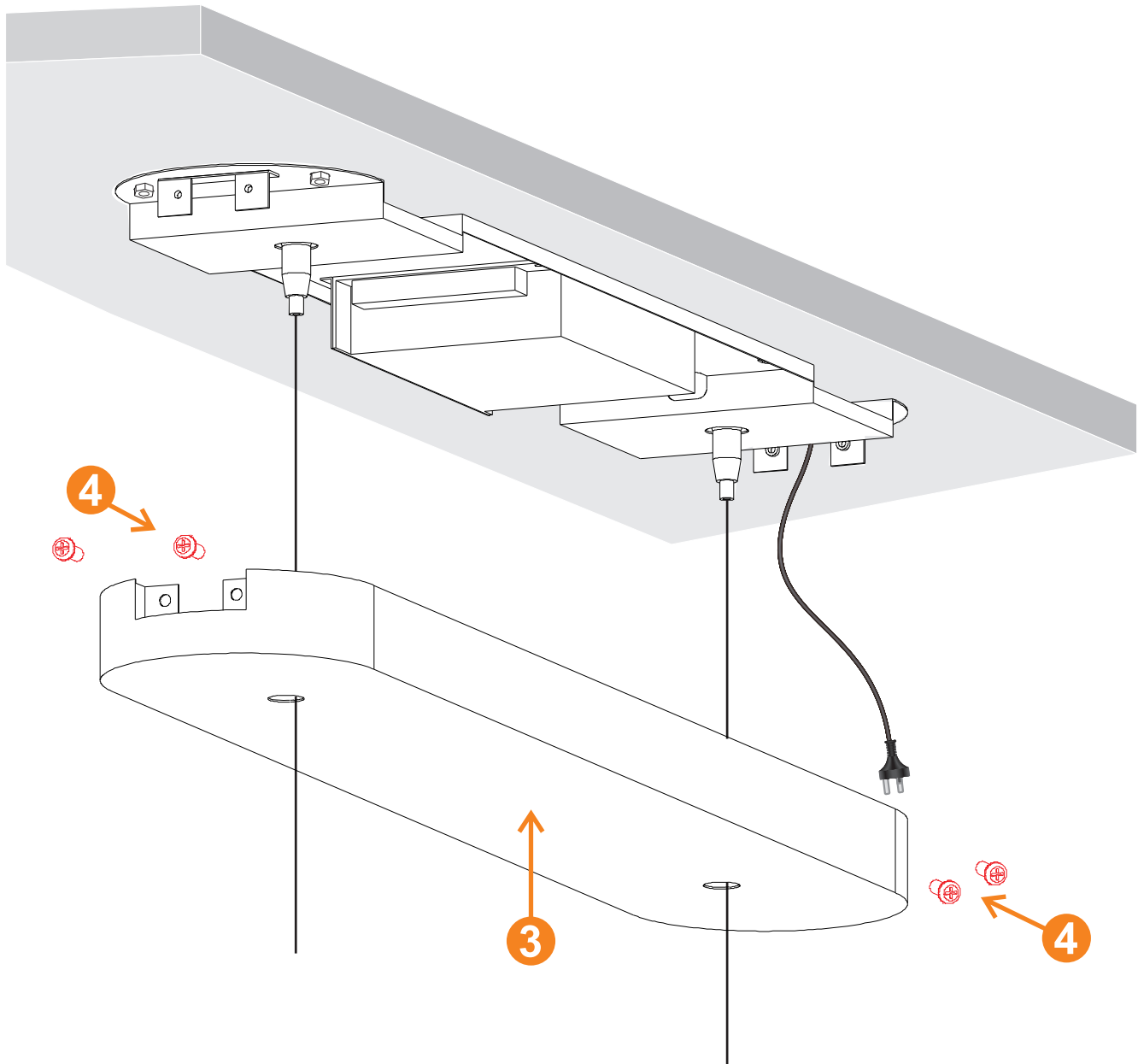
2B-1: Place the mounting plate at the desired location on the ceiling and mark the center of each hole.

2B-2: Secure the mounting plate to the ceiling with screws and anchors.



2B-3: Insert the two hanging cables into holes on the bottom cover, and slide the cover up.

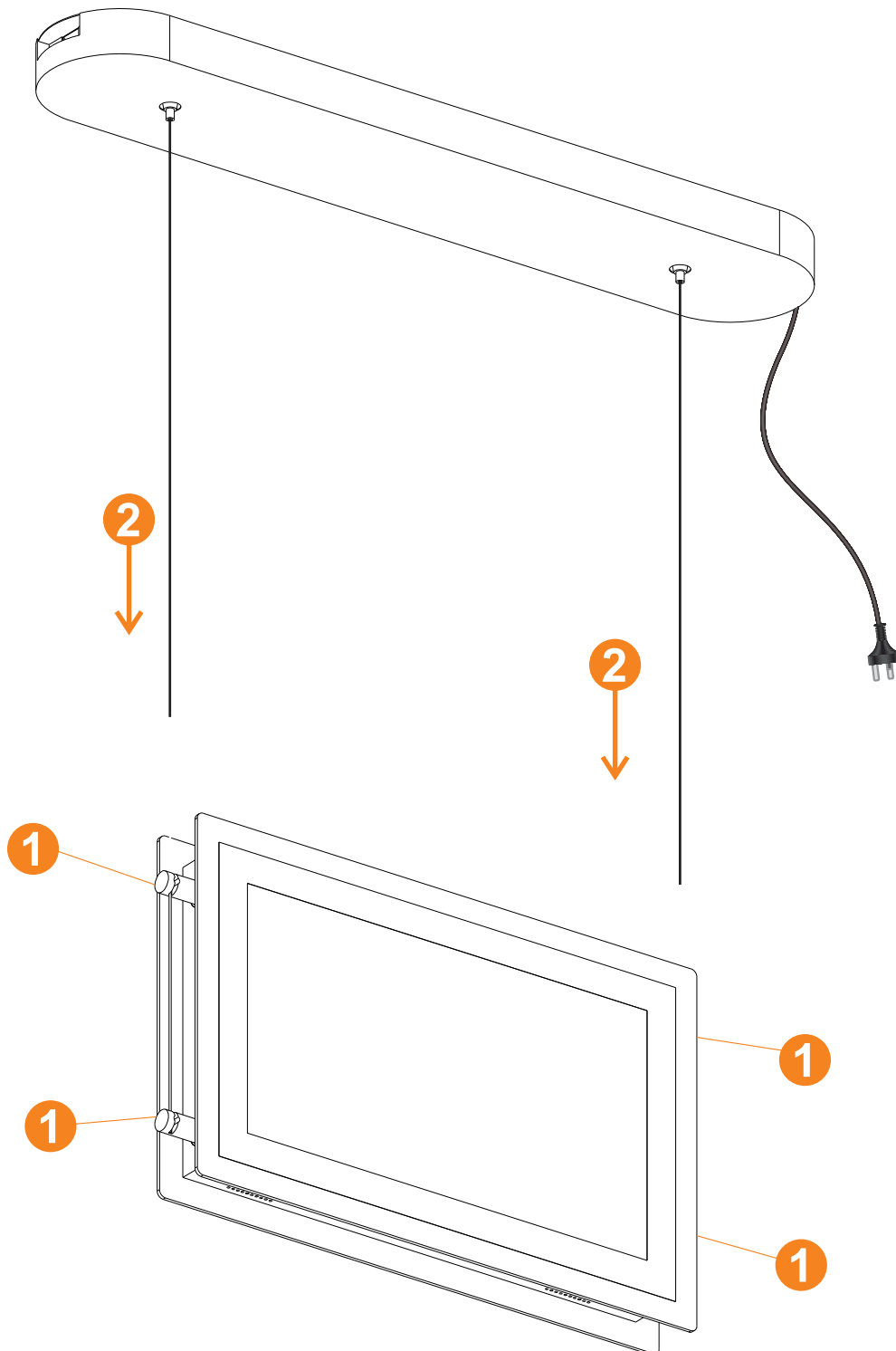
2B-4: Aligned screw holes on both sides and secure the cover with screws.



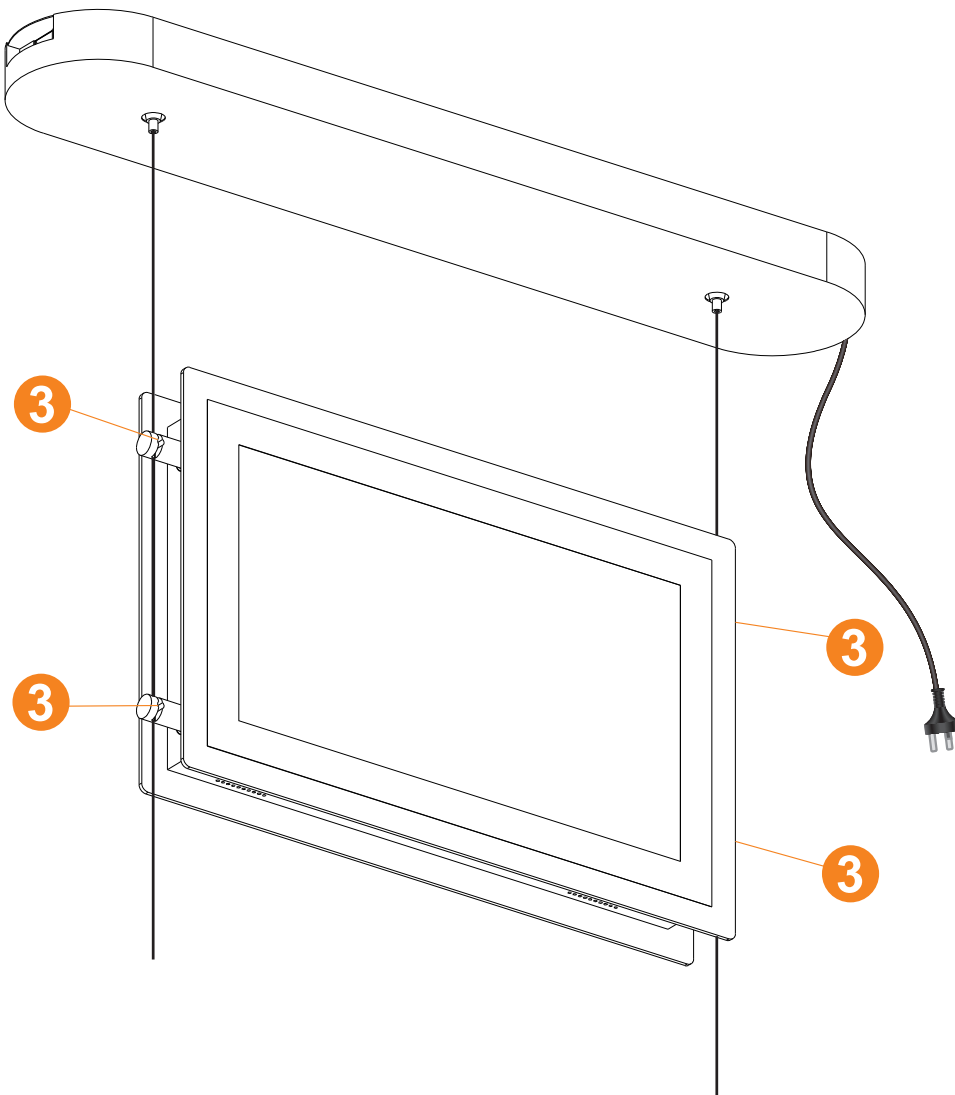
3. Fix the LCD display on two wire ropes

3-1: Loosen the screws on each two aluminum cylinders of each side of the LCD display.

3-2: Let two steel wires go through the aluminum cylinders.

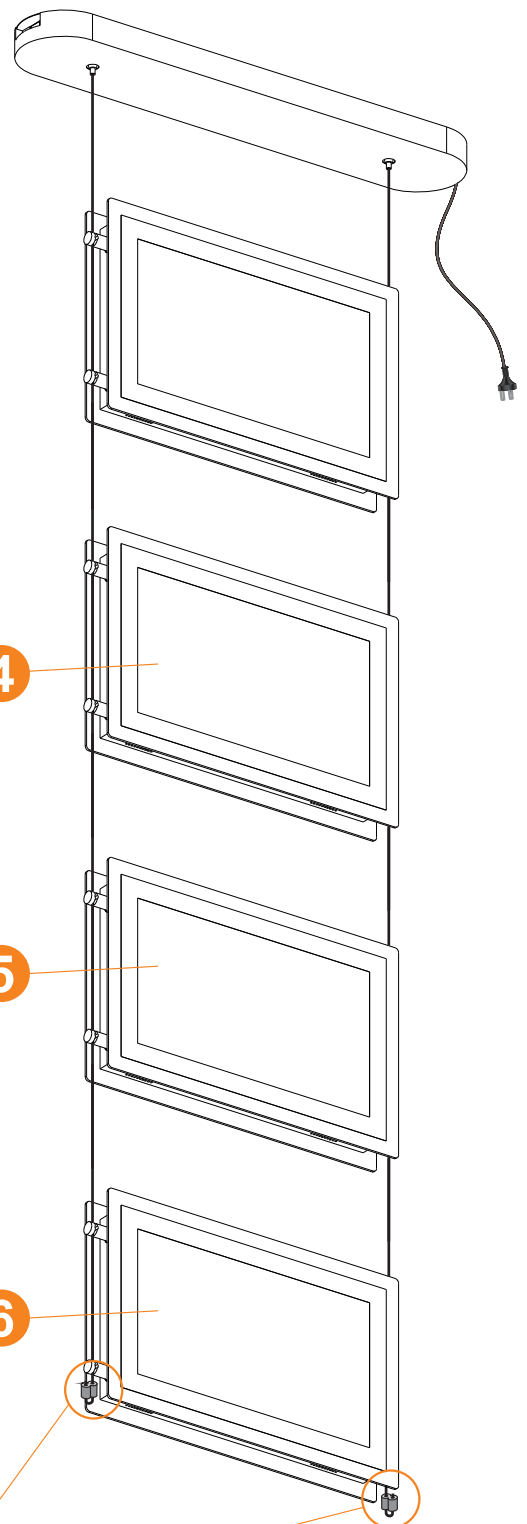


3-3: Adjust the position and horizontal orientation of the LCD display, tighten the screws into the aluminum cylindrical holes, and then fix the LCD display onto the wire rope position to prevent slippage.



3-4: Install the remaining three LCD displays on the wire rope in turn.

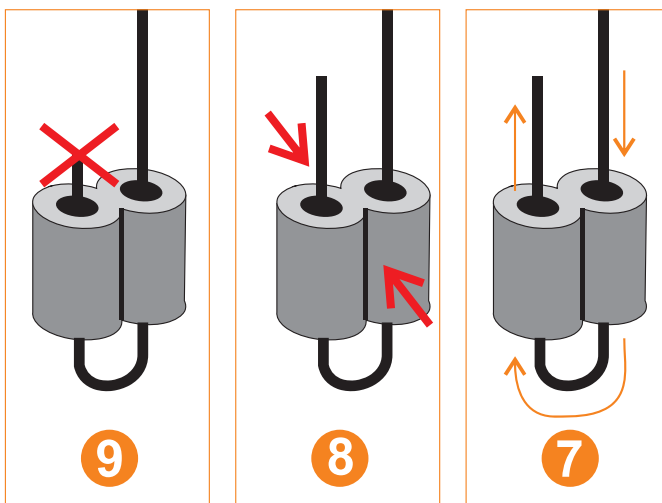
3-5: To prevent the screen from slipping off the wire rope, put the wires go through the double-hole aluminum column as shown pic7-9, meanwhile, clamp the double-hole aluminum column and cut off the excess wire

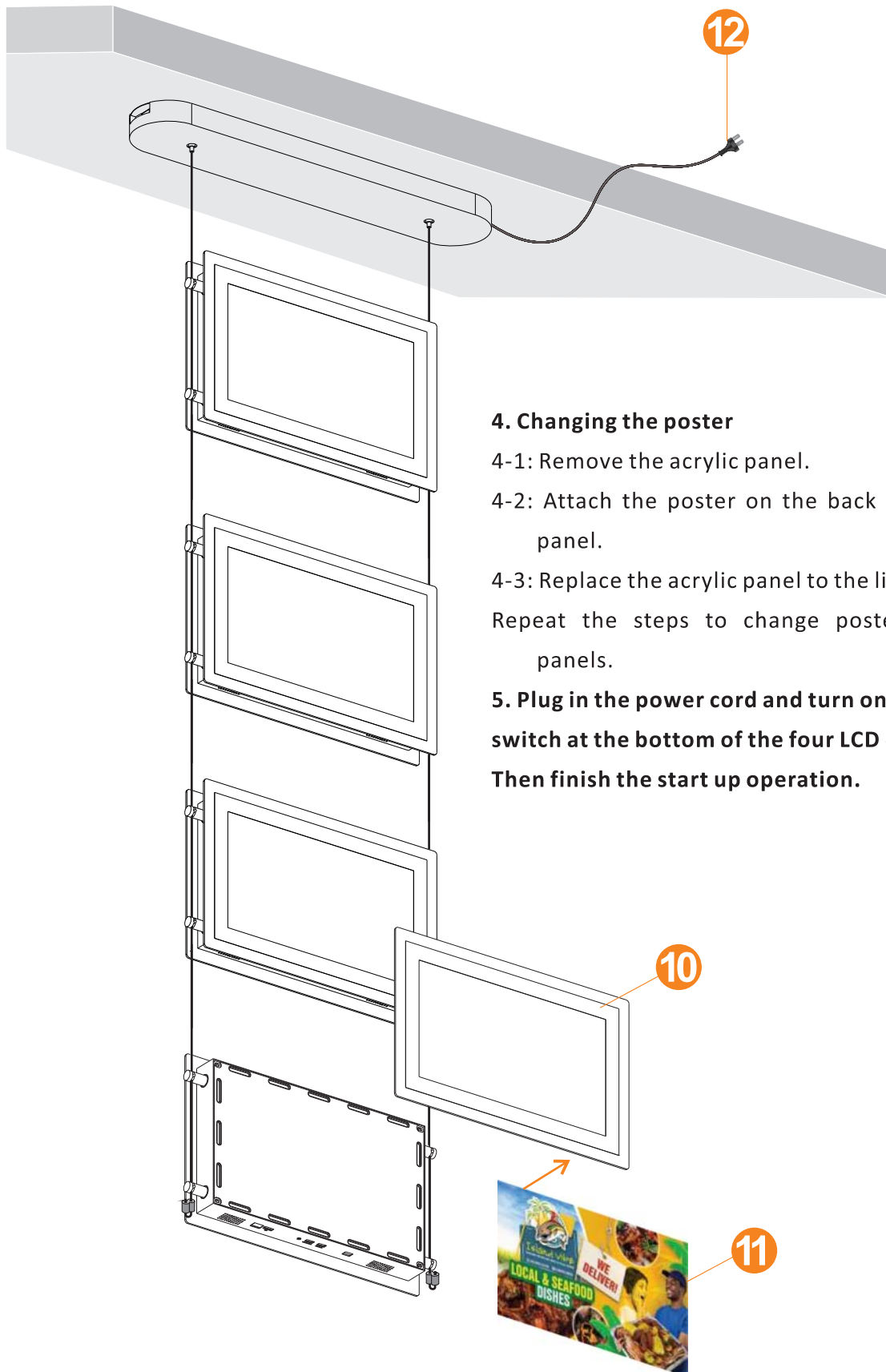


7 Put the wires go through the double-hole aluminum column

8 Use a wrench or other clamping tool to flatten the double-hole aluminum post, to fix the wire and prevent the wire from slipping

9 Use wire cutters to cut off the excess wire rope





4. Changing the poster

4-1: Remove the acrylic panel.

4-2: Attach the poster on the back of the acrylic panel.

4-3: Replace the acrylic panel to the light guide.

Repeat the steps to change posters on other panels.

5. Plug in the power cord and turn on the ON/OFF switch at the bottom of the four LCD displays.

Then finish the start up operation.

Remote Control of the LCD Screen

















Installing batteries for the remote control:

Remove the battery cover and insert two AAA batteries (1.5V). Ensure that the battery polarity matches the “+”/“-” marks in the battery compartment of the remote control.

Precautions for using the remote control:

- Aim the remote control at the receiver window. Do not place any object between the remote control and the receiver window to avoid interference with the normal operation.
- Keep the remote control away from violent vibration. In addition, do not set or place the remote control in direct sunlight, or else the remote control may be deformed by heat.
- The remote control may be invalid when the receiver window of the unit is in direct sunlight or strong lighting; in this case, please adjust the angle of the lighting or the unit or approach the receiver window to use it.
- The distance of remote control will be shortened if the battery voltage is insufficient; in this case, please replace with new batteries; if the remote control won't be used for a long time or the batteries are run out, please take out the batteries to avoid corrosion due to battery leakage, which will damage the remote control.
- Do not use batteries of different types or mix new batteries with old ones. Always replace the batteries in pairs.
- Do not put the batteries in fire, or charge or disassemble them, or charge, short circuit, disassemble, heat or burn used batteries. Please dispose of waste batteries in accordance with local environmental regulations. Do not expose the batteries in overheated environments such as sunlight and fire.

Description of remote control buttons:

	Power switch		Play programs; confirm selection
	To show the Source menu		Display indication
	Mute		Home page
	Turn down the volume		Back
	Turn up the volume		To show the main menu
	To move the cursor up		To set up OSD menu
	To move the cursor left		Input numbers
	To move the cursor right		
	To move the cursor down		



NOTE: It is recommended to use a mouse to control one display panel at a time for precise operations.