

**Mighty Max
Floor Charging Kiosk**

SKU:CHRFLMAX

Contents

A . Descriptions and Functions:	1
B . Intended Use:	2
C . Safety Instructions:	2
D . Package Content:	2
E . Installation:	3
F . Replacing Charging Cables:	4
G . Care, Maintenance, Storage and Transport:	5
H . Specifications:	5
I . Connect to Wi-Fi:	6
J . Update advertising content:	8
K . Warranty and Liability:	9
L . Troubleshooting:	9
M . Note on Waste Disposal:	10
N . FCC WARNING:	10

A . Descriptions and Functions:

The Mighty Max Floor Charging Kiosk is made for charging up to 10 mobile devices simultaneously via adaptor plugs.

Features two 21.5 inches Digital Screens for advertising purposes with advertising content management program.

M . Note on Waste Disposal:



In accordance with European WEEE directives, electrical and electronic equipment must not be disposed with consumer waste. The consumer is committed by law to reposit electrical and electronic devices to public collection points or return to the manufacturer at the end of the device's lifetime. Particulars are regulated in national right. Please consider the environment and dispose of this product correctly.



ATTENTION!

Please read the user manual completely and carefully. It is part of the product and includes important information for proper installation and use. Keep this guide in a safe place for reference and provide to any additional users or new owners of the product.

N . FCC WARNING

This device complies with part 15 of the FCC Rules. Operation is subject to the following two conditions: (1) this device may not cause harmful interference, and (2) this device must accept any interference received, including interference that may cause undesired operation.

Any changes or modifications not expressly approved by the party responsible for compliance could void the user's authority to operate the equipment.

NOTE: This equipment has been tested and found to comply with the limits for a Class B digital device, pursuant to Part 15 of the FCC Rules. These limits are designed to provide reasonable protection against harmful interference in a residential installation. This equipment generates, uses and can radiate radio frequency energy and, if not installed and used in accordance with the instructions, may cause harmful interference to radio communications. However, there is no guarantee that interference will not occur in a particular installation.

If this equipment does cause harmful interference to radio or television reception, which can be determined by turning the equipment off and on, the user is encouraged to try to correct the interference by one or more of the following measures:

- Reorient or relocate the receiving antenna.
- Increase the separation between the equipment and receiver.
- Connect the equipment into an outlet on a circuit different from that to which the receiver is connected.
- Consult the dealer or an experienced radio/TV technician for help.

To maintain compliance with FCC's RF Exposure guidelines, This equipment should be installed and operated with minimum 20cm distance between the radiator and your body: Use only the supplied antenna.

K. Warranty and Liability:

- We grants a conditional 1 year warranty for this device from the date of purchase. Consumable parts (charging cable) carry 6 months warranty.
- The Warranty does not cover accidental damage or vandalism caused to the product.
- The Warranty also does not cover the charging cables. We have no control over how users treat the cables once the product is installed on your premises. Replacement cables can be purchased at an additional cost.
- If any fault or damage is detected on your device, please contact us for troubleshooting. If the issue cannot be resolved remotely, we may request the product be shipped to the our office, at the customer's expense, to verify the fault or damage, along with a copy of the original purchase invoice.
- We are not liable for damage to persons or property caused by improper installation or operation not described in this guide. Any alteration and/or modification of the product or its accessories immediately voids the warranty.
- Any use other than described in this user manual is not permitted, and causes loss of warranty, loss of guarantee, and non-liability.

L. Troubleshooting:

The device does not charge	<ul style="list-style-type: none"> - Ensure the power outlet is turned on and working. - Ensure the thick black power chord is plugged into the AC adaptor properly. - Ensure the thin black power chord is plugged into the underside of the charging station properly. - Unscrew the cover and ensure the cable is plugged into the USB outlet properly. - Try another cable in the same USB port to ensure the charging is not damaged.
The charging port is damaged	Try multiple cables in the charging port to ensure that it is damaged. If it is still not working, please contact us.
Other problems	Contact us.

B . Intended Use:



This charging station is for indoor use only in a dry area. Do not position in any location near water. Positioning this product outside, or inside in a location near water may cause damage or injury to persons or property. Please ensure you carefully read and abide by the 'Safety Instructions'.

C . Safety Instructions:



WARNING!

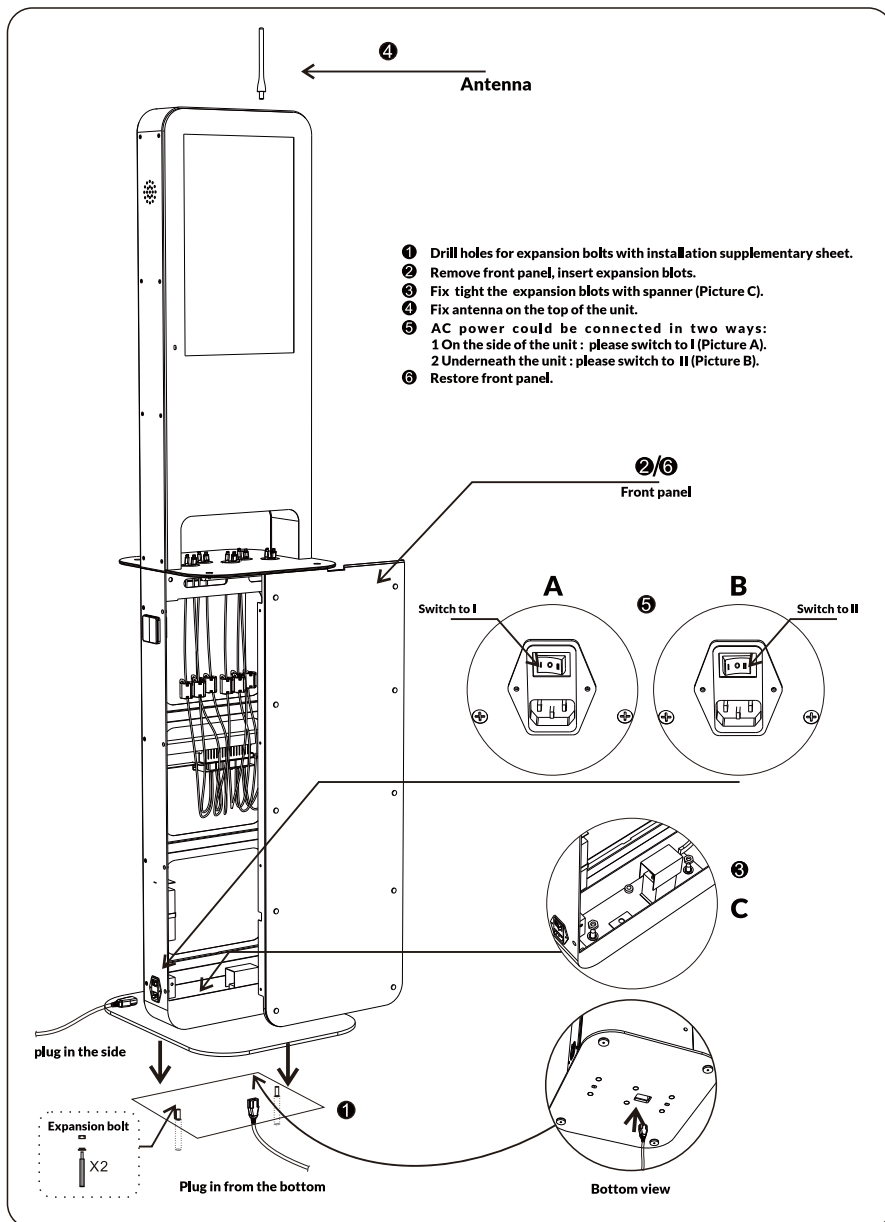
We recommend a skilled electrician is used to assemble and disassemble the housing of the product to avoid risk of electric shock or electrical damage to the product.

- This product is not a toy and should not be used by children at any time. It contains small parts which can be swallowed and cause serious injury.
- Ensure the charging station is assembled and installed in a way that prevents a person tripping over the power cable or the unit falling from its location.
- Please ensure the packing materials are disposed off completely to prevent injury to children (such as box cuts or swallowing insulation materials).
- Do not install in an area with high temperature, high humidity or areas where the charging station may come into contact with water.
- Do not install near air conditioners, or in areas with excessive dust, smoke or vibration.
- The charging station should be installed on a horizontal, flat surface to ensure it does not fall.
- Do not modify or alter the product in any way. Any unauthorized modification or alteration will immediately void the Warranty.
- Do not use the product, or any parts, if they are damaged.
- All cables and adaptors should be connected and disconnected slowly and carefully.
- Ensure suitable packaging for transport of the product based on its 'Specifications'.

D . Package Contents:

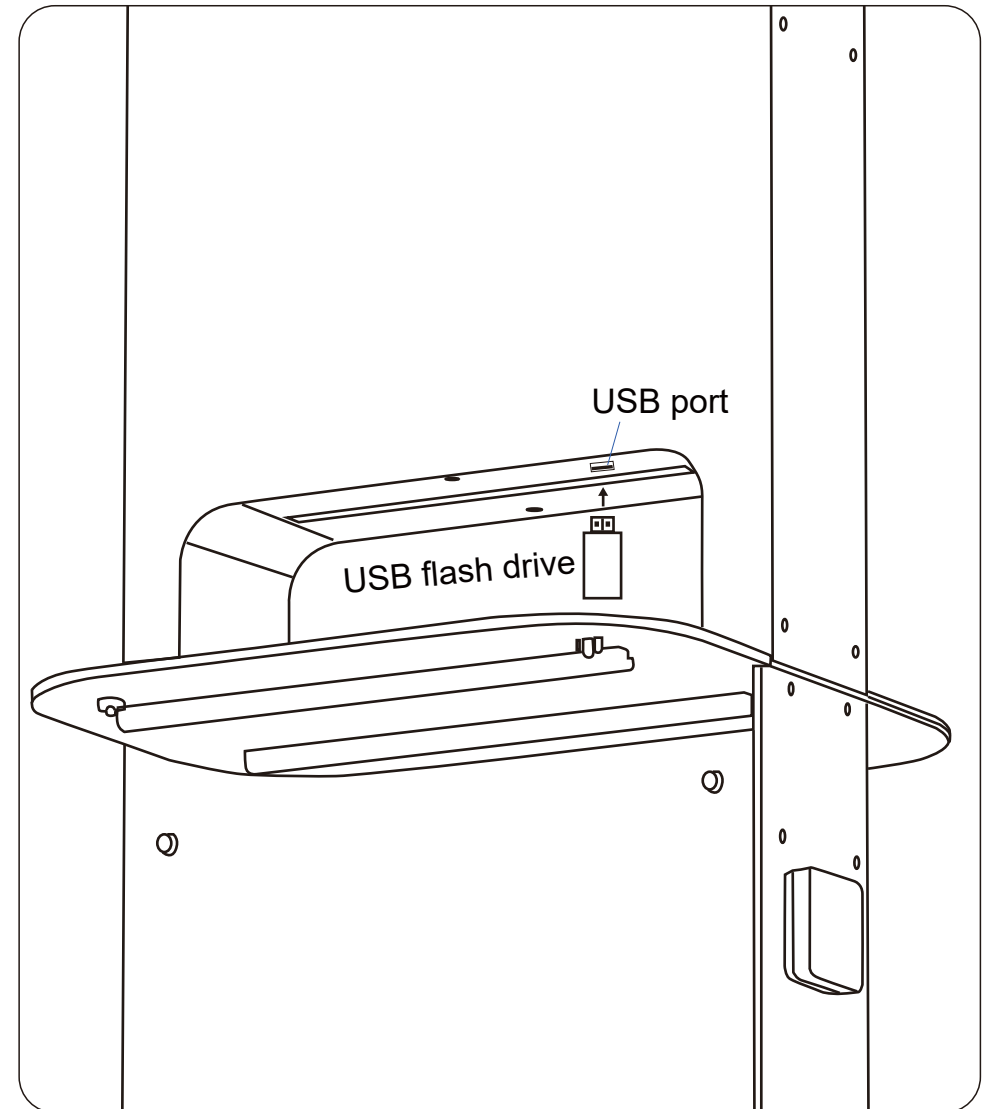
- 1 pc Power Cord
- 1 pc Mighty Max Floor Charging Kiosk
- 1 pc Antenna
- 1 pc Manual
- 1 pc Installation Supplementary Sheet
- 1 pc Remote Controller
- 1 set of screws/bolts

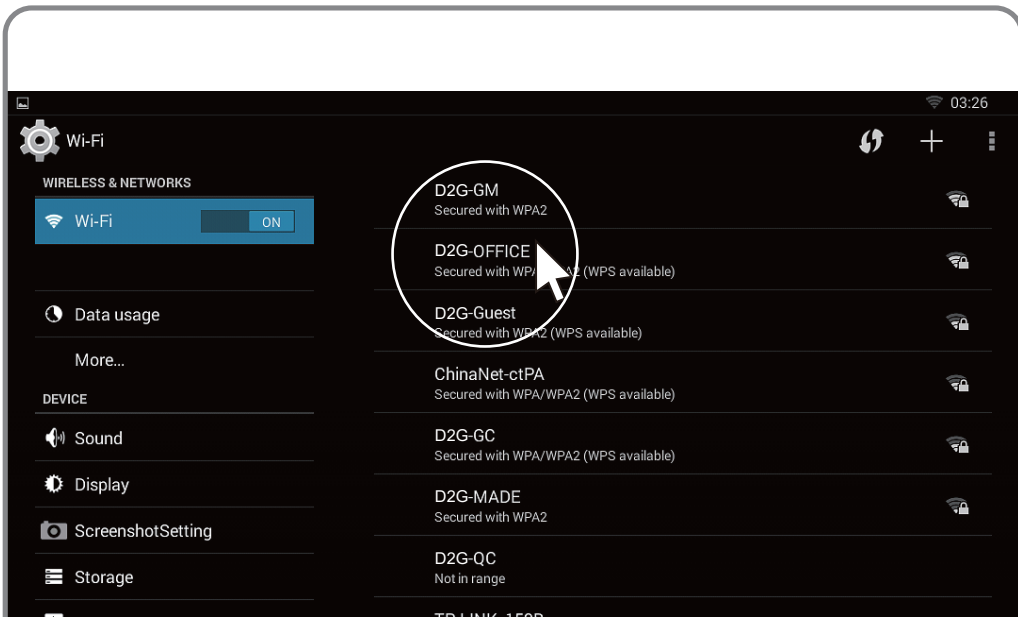
E . Installation:



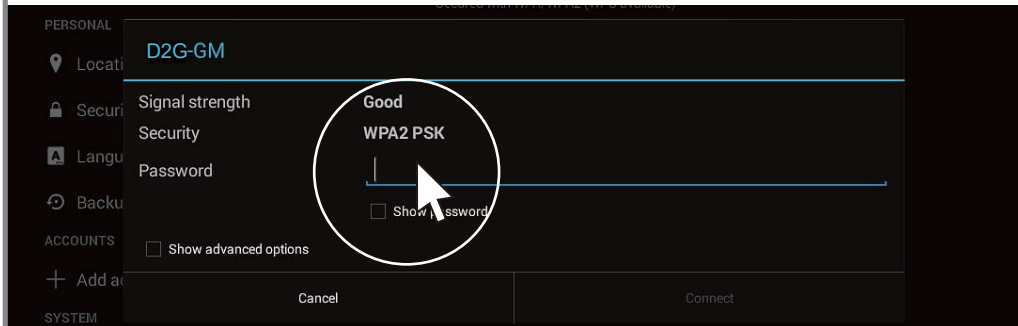
J . Update advertising content:

Insert your USB flash drive into the USB port to update advertising contents





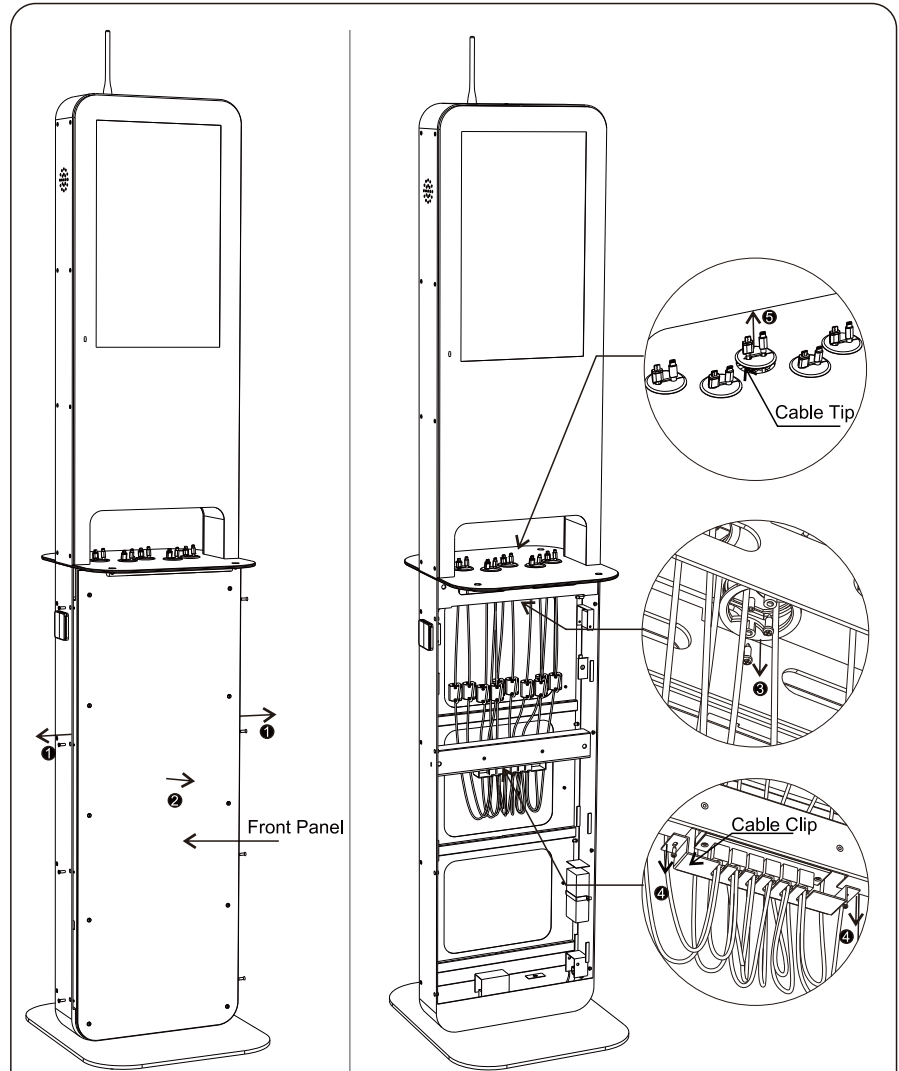
3 Select Access Point.



4 Type in the corresponding password, then open the APP.



F .Replacing Charging Cables:



- ❶ Remove the 8x screw from the side down.
- ❷ Take off the Front Panel.

- ❸ Identify the cable to be replaced and remove the respective screws.
- ❹ Remove the 2x screw and take off the Cable Clip.
- ❺ Take off the Cable Tip and replace cable.
- ❻ Put back all remove parts and screws.



G . Care, Maintenance, Storage and Transport:



WARNING!

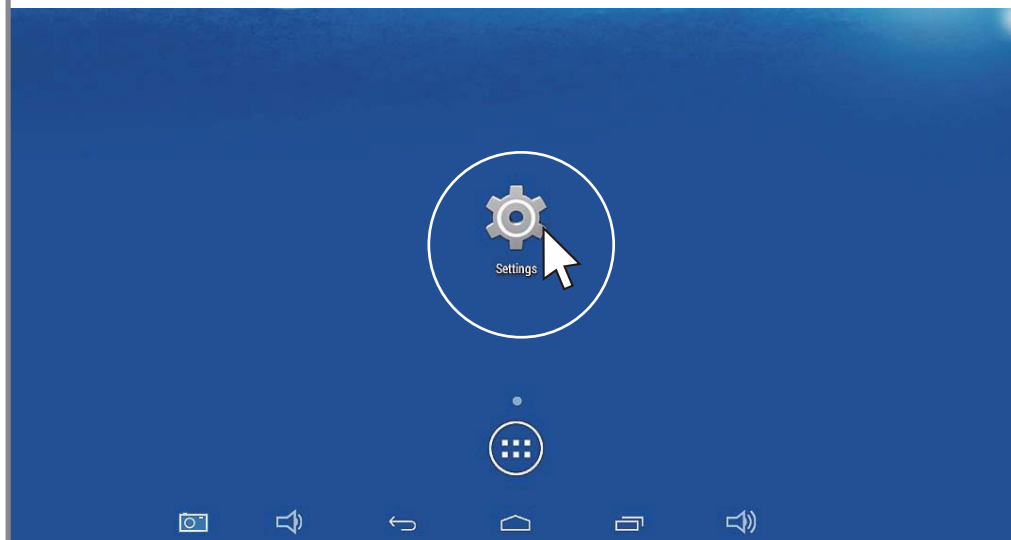
Please follow these instructions to avoid risk of electric shock and/or short circuit.

- The product is self-service, i.e. users do not require assistance to recharge their device.
- Always disconnect the power cord from the main power outlet first.
- Do not clean the product until the unit is powered off and unplugged from the main power outlet. Once unplugged, clean using a dry or slightly damp cloth. Avoid using cleaning products and do not allow liquid to enter the device.
- Do not install in a location where a person could potentially trip on the power chord or Charging Station.
- During care, maintenance, storage and/or transport, avoid places that are wet, humid or have a high temperature.
- Carefully read and abide by the Safety Instructions for care, maintenance, storage and transport.
- We recommend using the original packaging for transportation to protect the product from dust and humidity.

H . Specifications:

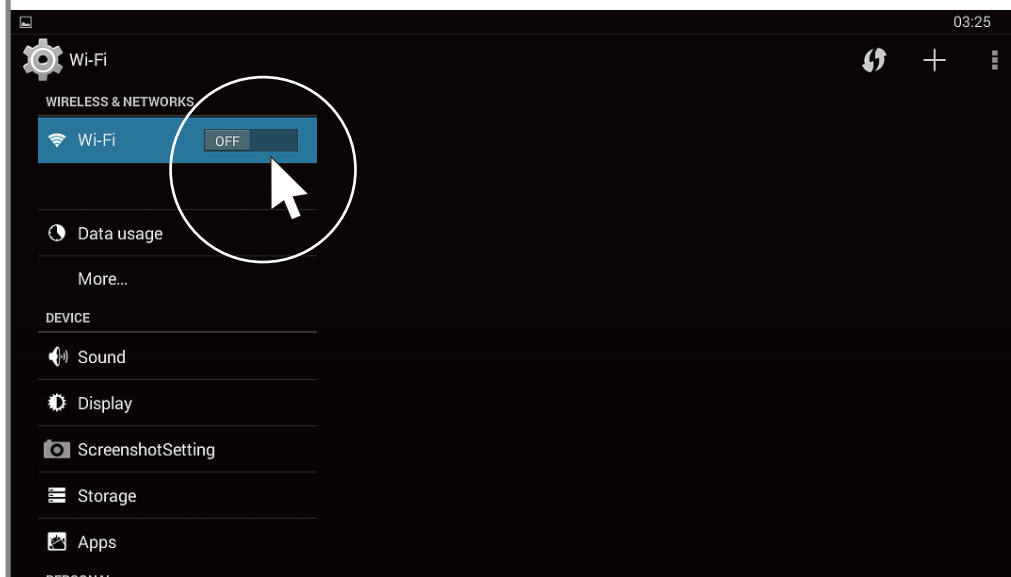
Model	CK-01
Input	100-240V/50-60 Hz 10A
Output	DC: 10x 5V/2.1A
	AC: 2x 100-240V/3A
LCD Resolution	1080P
LCD Size	21.5"

I . Connect to Wi-Fi:



1

Select Settings.



2

Turn on Wi-Fi.