



RF TEST REPORT

Applicant Positec Technology (China)Co., Ltd
FCC ID 2ASC3WA0866
Product Anti-Theft GPS Tracker
Brand WORX
Model WA0866,WA0866.x (x = 0-9, or A-Z)
Report No. R1812A0591-R3V1
Issue Date February 2, 2019

TA Technology (Shanghai) Co., Ltd. tested the above equipment in accordance with the requirements in **FCC CFR47 Part 2 (2018)/ FCC CFR47 Part 27C (2018)**. The test results show that the equipment tested is capable of demonstrating compliance with the requirements as documented in this report.

Performed by: Peng Tao

Approved by: Kai Xu

TA Technology (Shanghai) Co., Ltd.

No.145, Jintang Rd, Tangzhen Industry Park, Pudong Shanghai, China

TEL: +86-021-50791141/2/3

FAX: +86-021-50791141/2/3-8000

Table of Contents

1	Test Laboratory	4
1.1	Notes of the Test Report	4
1.2	Test facility	4
1.3	Testing Location	5
2	General Description of Equipment under Test	6
3	Applied Standards	7
4	Test Configuration	8
5	Test Case Results	9
5.1	Effective Isotropic Radiated Power	9
5.2	Radiates Spurious Emission	14
6	Main Test Instruments	23
ANNEX A: EUT Appearance and Test Setup		24
A.1	EUT Appearance	24
A.2	Test Setup	25

Summary of Measurement Results

Number	Test Case	Clause in FCC rules	Verdict
1	RF power output	2.1046	refer to Report No: RXA1706-0199RF03R1
2	Effective Isotropic Radiated power	27.50(d)(4) /27.50(b)(10) /27.50(c)(10)	PASS
3	Occupied Bandwidth	2.1049	refer to Report No: RXA1706-0199RF03R1
4	Band Edge Compliance	27.53(h) /27.53(g)	refer to Report No: RXA1706-0199RF03R1
5	Peak-to-Average Power Ratio	27.50(d)/KDB971168 D01(5.7)	refer to Report No: RXA1706-0199RF03R1
6	Frequency Stability	2.1055 / 27.54	refer to Report No: RXA1706-0199RF03R1
7	Spurious Emissions at Antenna Terminals	2.1051 /27.53(h) /27.53(g) /27.53(f)	refer to Report No: RXA1706-0199RF03R1
8	Radiates Spurious Emission	2.1053 /27.53(h) /27.53(g) /27.53(f)	PASS
Date of Testing: December 28, 2018~ January 14,2019			
Note: PASS: The EUT complies with the essential requirements in the standard. FAIL: The EUT does not comply with the essential requirements in the standard.			

This report only tested Effective Radiated Power and Radiates Spurious Emission. For other test items, please refer to Report No: RXA1706-0199RF03R1.

1 Test Laboratory

1.1 Notes of the Test Report

This report shall not be reproduced in full or partial, without the written approval of **TA technology (shanghai) co., Ltd.** The results documented in this report apply only to the tested sample, under the conditions and modes of operation as described herein .Measurement Uncertainties were not taken into account and are published for informational purposes only. This report is written to support regulatory compliance of the applicable standards stated above.

1.2 Test facility

CNAS (accreditation number: L2264)

TA Technology (Shanghai) Co., Ltd. has obtained the accreditation of China National Accreditation Service for Conformity Assessment (CNAS).

FCC (Designation number: CN1179, Test Firm Registration Number: 446626)

TA Technology (Shanghai) Co., Ltd. has been listed on the US Federal Communications Commission list of test facilities recognized to perform electromagnetic emissions measurements.

IC (recognition number is 8510A)

TA Technology (Shanghai) Co., Ltd. has been listed by industry Canada to perform electromagnetic emission measurement.

VCCI (recognition number is C-4595, T-2154, R-4113, G-10766)

TA Technology (Shanghai) Co., Ltd. has been listed by industry Japan to perform electromagnetic emission measurement.

A2LA (Certificate Number: 3857.01)

TA Technology (Shanghai) Co., Ltd. has been listed by American Association for Laboratory Accreditation to perform electromagnetic emission measurement.

1.3 Testing Location

Company: TA Technology (Shanghai) Co., Ltd.
Address: No.145, Jintang Rd, Tangzhen Industry Park, Pudong Shanghai, China
City: Shanghai
Post code: 201201
Country: P. R. China
Contact: Xu Kai
Telephone: +86-021-50791141/2/3
Fax: +86-021-50791141/2/3-8000
Website: <http://www.ta-shanghai.com>
E-mail: xukai@ta-shanghai.com

2 General Description of Equipment under Test

Client Information

Applicant	Positec Technology (China)Co., Ltd
Applicant address	18,Dongwang Road,Suzhou Industrial park,Jiangsu 215123,P.R. China
Manufacturer	Positec Technology (China)Co., Ltd
Manufacturer address	18,Dongwang Road,Suzhou Industrial park,Jiangsu 215123,P.R. China

General information

EUT Description			
Model	WA0866,WA0866.x (x = 0-9, or A-Z)		
IMEI	/		
Hardware Version	R1.0.3		
Software Version	V1.65		
Power Supply	Battery		
Antenna Type	Internal Antenna		
Antenna Gain	3.27dBi for LTE Band 4 -0.99dBi for LTE Band 12 0.29 dBi for LTE Band 13		
Test Mode(s)	LTE Band 4; LTE Band 12, LTE Band 13;		
Test Modulation	(LTE)QPSK 16QAM;		
LTE Category	M1		
Maximum E.I.R.P./ E.R.P.	LTE Band 4:	23.87dBm	
	LTE Band 12:	16.57dBm	
	LTE Band 13:	20.49dBm	
Rated Power Supply Voltage:	5V		
Extreme Voltage	Minimum: 4.81V Maximum: 7V		
Extreme Temperature	Lowest: -25°C Highest: +75°C		
Operating Frequency Range(s)	Mode	Tx (MHz)	Rx (MHz)
	LTE Band 4	1710 ~ 1755	2110 ~ 2155
	LTE Band 12	699 ~ 716	729 ~ 746
	LTE Band 13	777 ~ 787	746 ~ 756
Note: 1. The information of the EUT is declared by the manufacturer.			

3 Applied Standards

According to the specifications of the manufacturer, it must comply with the requirements of the following standards:

Test standards

FCC CFR47 Part 2 (2018)

FCC CFR47 Part 27C (2018)

ANSI C63.26 (2015)

KDB 971168 D01 Power Meas License Digital Systems v03r01

4 Test Configuration

Radiated measurements are performed by rotating the EUT in three different orthogonal test planes. EUT stand-up position (Z axis), lie-down position (X, Y axis). Receiver antenna polarization (horizontal and vertical), the worst emission was found in position (X axis, horizontal polarization) and the worst case was recorded.

All mode and data rates and positions and RB size and modulations were investigated.

Subsequently, only the worst case emissions are reported.

The following testing in LTE is set based on the maximum RF Output Power.

The following testing in different Bandwidth is set to detail in the following table:

Test modes are chosen to be reported as the worst case configuration below for LTE Band 4/12/13:

Test items	Modes	Bandwidth (MHz)						Modulation		RB			Test Channel		
		1.4	3	5	10	15	20	QPSK	16QAM	1	50%	100%	L	M	H
Effective Isotropic Radiated power	LTE 4	O	O	O	O	O	O	O	O	-	-	O	O	O	O
	LTE 12	O	O	O	O	-	-	O	O	-	-	O	O	O	O
	LTE 13	-	-	O	O	-	-	O	O	-	-	O	O	O	O
Radiates Spurious Emission	LTE 4	-	-	-	-	-	O	O	-	O	-	-	O	O	O
	LTE 12	-	-	-	O	-	-	O	-	O	-	-	O	O	O
	LTE 13	-	-	-	O	-	-	O	-	O	-	-	O	O	O
Note	1. The mark "O" means that this configuration is chosen for testing. 2. The mark "-" means that this configuration is not testing.														

5 Test Case Results

5.1 Effective Isotropic Radiated Power

Ambient condition

Temperature	Relative humidity	Pressure
23°C ~25°C	45%~50%	101.5kPa

Methods of Measurement

1. The testing follows FCC KDB 971168 D01 v03r01 Section 5.8 and ANSI C63.26 (2015).
 - a) Connect the equipment as illustrated. Mount the equipment with the manufacturer specified antenna in a vertical orientation on a manufacturer specified mounting surface located on a non-conducting rotating platform of a RF anechoic chamber (preferred) or a standard radiation site.
 - b) Key the transmitter, then rotate the EUT 360° azimuthally and record spectrum analyzer power level (LVL) measurements at angular increments that are sufficiently small to permit resolution of all peaks. If a standard radiation test site is used, raise and lower the test antenna to obtain a maximum reading at each angular increment. (Note: several batteries may be needed to offset the effect of battery voltage droop, which should not exceed 5% of the manufactured specified battery voltage during transmission).
 - c) Replace the transmitter under test with a vertically polarized half-wave dipole (or an antenna whose gain is known relative to an ideal half-wave dipole). The center of the antenna should be at the same location as the center of the antenna under test.
 - d) Connect the antenna to a signal generator with a known output power and record the path loss (in dB) as LOSS. If a standard radiation test site is used, raise and lower the test antenna to obtain a maximum reading. $LOSS = \text{Generator Output Power (dBm)} - \text{Analyzer reading (dBm)}$
 - e) Determine the effective radiated output power at each angular position from the readings in steps b) and d) using the following equation: $ERP \text{ (dBm)} = \text{LVL (dBm)} + \text{LOSS (dB)}$
 - f) The maximum ERP is the maximum value determined in the preceding step.
 - g) When calculating ERP, in addition to knowing the antenna radiation and matching characteristics, it is necessary to know the loss values of all elements (e.g. transmission line attenuation, mismatches, filters, combiners) interposed between the point where transmitter output power is measured, and the point where power is applied to the antenna. ERP can then be calculated as follows:

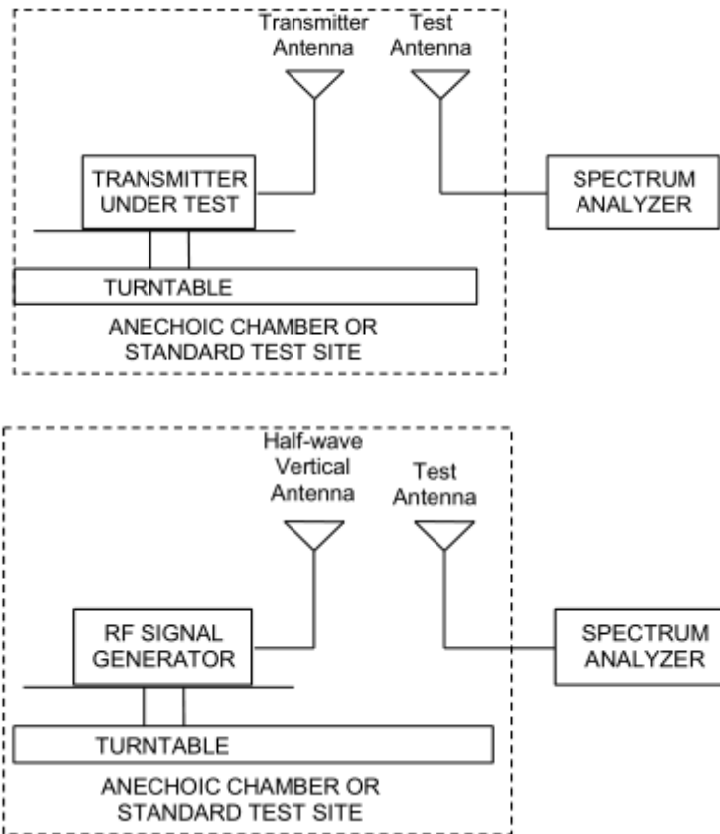
$$EIRP \text{ (dBm)} = \text{Output Power (dBm)} - \text{Losses (dB)} + \text{Antenna Gain (dBi)}$$

where: dBd refers to gain relative to an ideal dipole.

$$EIRP \text{ (dBm)} = ERP \text{ (dBm)} + 2.15 \text{ (dB.)}$$

The RB allocation refers to section 5.1, using the maximum output power configuration.

Test setup



Note: Area side:2.4mX3.6m

The radiated emission was measured in the following position: EUT stand-up position (Z axis), lie-down position (X, Y axis). The worst emission was found in stand-up position (Z axis) and the worst case was recorded.

Limits

Rule Part 27.50(b) (10) specifies that “Portable stations (hand-held devices) transmitting in the 746-757 MHz, 776-788 MHz, and 805-806 MHz bands are limited to 3 watts ERP”

Rule Part 27.50(c) (10) specifies that “Portable stations (hand-held devices) in the 600 MHz uplink band and the 698-746 MHz band, and fixed and mobile stations in the 600 MHz uplink band are limited to 3 watts ERP”

Rule Part 27.50(d) (4) specifies that “Fixed, mobile and portable (hand-held) stations operating in the 1710–1755 MHz band are limited to 1 watt EIRP”

Part 27.50(b)(10)Limit -LTE 13	≤ 3 W (34.77 dBm)
Part 27.50(c)(10)Limit -LTE 12	≤ 3 W (34.77 dBm)
Part 27.50(d)(4)Limit -LTE 4	≤ 1 W (30 dBm)

Measurement Uncertainty

The assessed measurement uncertainty to ensure 95% confidence level for the normal distribution is with the coverage factor $k = 2$, $U = 1.19$ dB

Test Results

The measurement is performed for both of horizontal and vertical antenna Polarization, and only the data of worst mode is recorded in this report.

LTE Band 4							
Band width	Channel/ Frequency(MHz)	Polarization	RB	Index	EIRP (dBm)	Limit (dBm)	Conclusion
1.4 MHz (QPSK)	19957 1710.7	H	1#0	0	22.68	30	Pass
	20175/1732.5	H	1#2	0	23.21	30	Pass
	20393/1754.3	H	1#5	0	23.68	30	Pass
3 MHz (QPSK)	19965/1711.5	H	1#0	0	22.98	30	Pass
	20175/1732.5	H	1#5	0	23.16	30	Pass
	20385/1753.5	H	1#5	1	23.67	30	Pass
5 MHz (QPSK)	19975/1712.5	H	1#0	0	23.01	30	Pass
	20175/1732.5	H	1#5	1	23.29	30	Pass
	20375/1752.5	H	1#5	3	23.87	30	Pass
10 MHz (QPSK)	20000/1715	H	4#0	0	22.61	30	Pass
	20175/1732.5	H	4#2	3	23.26	30	Pass
	20350/1750	H	4#2	7	23.83	30	Pass
15 MHz (QPSK)	20025/1717.5	H	1#0	0	22.84	30	Pass
	20175/1732.5	H	1#5	5	23.43	30	Pass
	20325/1747.5	H	1#5	11	23.71	30	Pass
20 MHz (QPSK)	20050/1720	H	6#0	0	22.91	30	Pass
	20175/1732.5	H	6#0	7	23.38	30	Pass
	20300/1745	H	6#0	15	23.69	30	Pass
1.4 MHz (16QAM)	19957 1710.7	H	1#0	0	22.23	30	Pass
	20175/1732.5	H	1#2	0	22.74	30	Pass
	20393/1754.3	H	1#5	0	23.16	30	Pass
3 MHz (16QAM)	19965/1711.5	H	1#0	0	22.41	30	Pass
	20175/1732.5	H	1#5	0	22.51	30	Pass
	20385/1753.5	H	1#5	1	23.17	30	Pass
5 MHz (16QAM)	19975/1712.5	H	1#0	0	22.57	30	Pass
	20175/1732.5	H	1#5	1	22.81	30	Pass
	20375/1752.5	H	1#5	3	23.21	30	Pass
10 MHz (16QAM)	20000/1715	H	4#0	0	22.19	30	Pass
	20175/1732.5	H	4#2	3	22.77	30	Pass
	20350/1750	H	4#2	7	23.38	30	Pass
15 MHz (16QAM)	20025/1717.5	H	1#0	0	22.19	30	Pass
	20175/1732.5	H	1#5	5	22.97	30	Pass
	20325/1747.5	H	1#5	11	23.11	30	Pass
20 MHz (16QAM)	20050/1720	H	6#0	0	22.43	30	Pass
	20175/1732.5	H	6#0	7	22.77	30	Pass



	20300/1745	H	6#0	15	23.13	30	Pass
--	------------	---	-----	----	-------	----	------

LTE Band 12							
Bandwidth	Channel/ Frequency(MHz)	Polarization	RB	Index	ERP(dBm)	Limit (dBm)	Conclusion
1.4MHz QPSK	23017/699.7	H	1#0	0	15.72	34.77	Pass
	23095/707.5	H	1#2	0	15.84	34.77	Pass
	23173/715.3	H	1#5	0	16.52	34.77	Pass
3MHz QPSK	23025/700.5	H	1#0	0	15.53	34.77	Pass
	23095/707.5	H	1#5	0	15.72	34.77	Pass
	23165/714.5	H	1#5	1	16.56	34.77	Pass
5MHz QPSK	23035/701.5	H	1#0	0	15.52	34.77	Pass
	23095/707.5	H	1#5	1	15.66	34.77	Pass
	23155/713.5	H	1#5	3	16.49	34.77	Pass
10MHz QPSK	23060/704	H	4#0	0	15.67	34.77	Pass
	23095/707.5	H	4#2	3	15.83	34.77	Pass
	23130/711	H	4#2	7	16.57	34.77	Pass
1.4MHz 16QAM	23017/699.7	H	1#0	0	15.11	34.77	Pass
	23095/707.5	H	1#2	0	15.33	34.77	Pass
	23173/715.3	H	1#5	0	16.06	34.77	Pass
3MHz 16QAM	23025/700.5	H	1#0	0	15.04	34.77	Pass
	23095/707.5	H	1#5	0	15.18	34.77	Pass
	23165/714.5	H	1#5	1	16.03	34.77	Pass
5MHz 16QAM	23035/701.5	H	1#0	0	14.98	34.77	Pass
	23095/707.5	H	1#5	1	15.12	34.77	Pass
	23155/713.5	H	1#5	3	16.03	34.77	Pass
10MHz 16QAM	23060/704	H	4#0	0	15.17	34.77	Pass
	23095/707.5	H	4#2	3	15.07	34.77	Pass
	23130/711	H	4#2	7	16.04	34.77	Pass

LTE Band 13							
Bandwidth	Channel/ Frequency(MHz)	Polarization	RB	Index	ERP(dBm)	Limit (dBm)	Conclusion
5MHz QPSK	23205/779.5	H	1#0	0	20.49	34.77	Pass
	23230/782	H	1#5	1	20.24	34.77	Pass
	23255/784.5	H	1#5	3	20.30	34.77	Pass
10MHz QPSK	23230/782	H	4#2	3	19.89	34.77	Pass
5MHz 16QAM	23205/779.5	H	1#0	0	19.97	34.77	Pass
	23230/782	H	1#5	1	19.82	34.77	Pass
	23255/784.5	H	1#5	3	19.86	34.77	Pass
10MHz 16QAM	23230/782	H	4#2	3	19.52	34.77	Pass

5.2 Radiates Spurious Emission

Ambient condition

Temperature	Relative humidity	Pressure
23°C ~25°C	45%~50%	101.5kPa

Method of Measurement

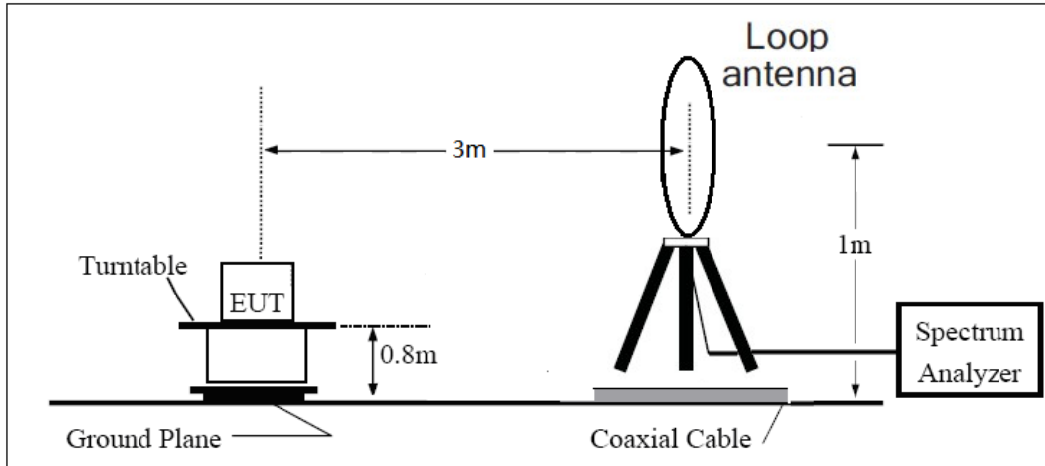
- The testing follows FCC KDB 971168 D01 v03r01 Section 5.8 and ANSI C63.26 (2015).
- Below 1GHz: The EUT is placed on a turntable 0.8 meters above the ground in the chamber, 3 meter away from the antenna. The maximal emission value is acquired by adjusting the antenna height, polarisation and turntable azimuth. Normally, the height range of antenna is 1 m to 4 m, the azimuth range of turntable is 0° to 360°, and the receive antenna has two polarizations Vertical (V) and Horizontal (H). Above 1GHz: (Note: the FCC's permission to use 1.5m as an alternative per TCBC Conf call of Dec. 2, 2014.) The EUT is placed on a turntable 1.5 meters above the ground in the chamber, 3 meter away from the antenna. The maximal emission value is acquired by adjusting the antenna height, polarisation and turntable azimuth. Normally, the height range of antenna is 1 m to 4 m, the azimuth range of turntable is 0° to 360°, and the receive antenna has two polarizations Vertical (V) and Horizontal (H).
- A loop antenna, A log-periodic antenna or horn antenna shall be substituted in place of the EUT. The log-periodic antenna will be driven by a signal generator and the level will be adjusted till the same power value on the spectrum analyzer or receiver. The level of the spurious emissions can be calculated through the level of the signal generator, cable loss, the gain of the substitution antenna and the reading of the spectrum analyzer or receiver.
- The EUT is then put into continuously transmitting mode at its maximum power level during the test. Set Test Receiver or Spectrum RBW=200Hz,VBW=600Hz for 9kHz150kHz , RBW=10kHz, VBW=30kHz 150kHz-30MHz ,RBW=100kHz,VBW=300kHz for 30MHz to 1GHz and RBW=1MHz, VBW=3MHz for above 1GHz And the maximum value of the receiver should be recorded as (Pr).
- The EUT shall be replaced by a substitution antenna. In the chamber, an substitution antenna for the frequency band of interest is placed at the reference point of the chamber. An RF Signal source for the frequency band of interest is connected to the substitution antenna with a cable that has been constructed to not interfere with the radiation pattern of the antenna. A power (PMea) is applied to the input of the substitution antenna, and adjust the level of the signal generator output until the value of the receiver reach the previously recorded (Pr). The power of signal source (PMea) is recorded. The test should be performed by rotating the test item and adjusting the receiving antenna polarization.
- A amplifier should be connected to the Signal Source output port. And the cable should be connect between the Amplifier and the Substitution Antenna. The cable loss (Pcl) ,the Substitution Antenna Gain (Ga) and the Amplifier Gain (PAg) should be recorded after test.
- The measurement results are obtained as described below:
 $Power(EIRP)=PMea- PAg - Pcl + Ga$
 The measurement results are amend as described below:
 $Power(EIRP)=PMea- Pcl + Ga$
- This value is EIRP since the measurement is calibrated using an antenna of known gain (2.15 dBi) and known input power. ERP can be calculated from EIRP by subtracting the gain of the dipole, ERP

= EIRP-2.15dBi.

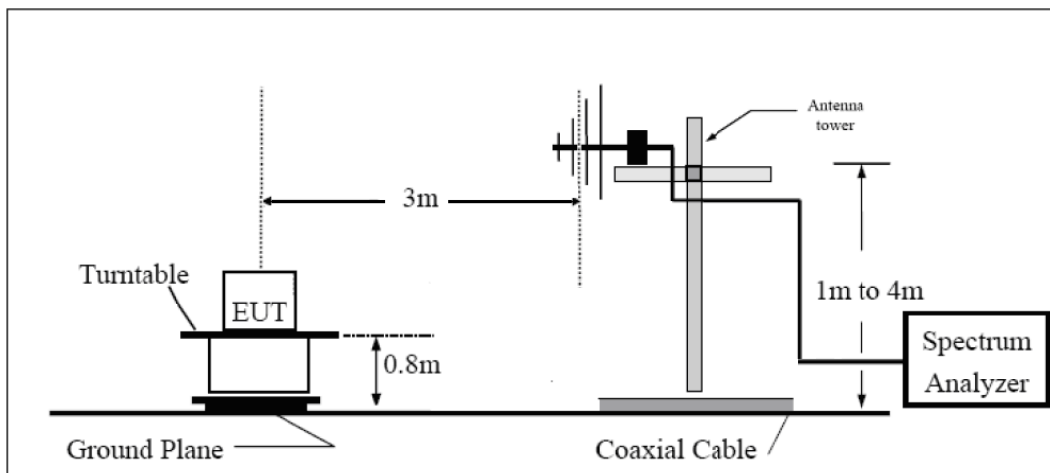
The modulation mode and RB allocation refer to section 5.1, using the maximum output power configuration.

Test setup

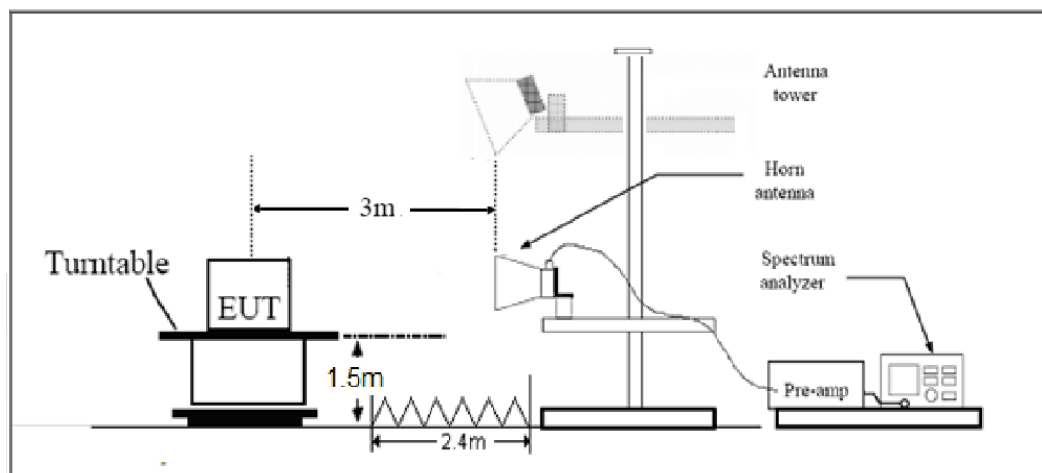
9KHz ~ 30MHz



30MHz ~ 1GHz



Above 1GHz



Note: Area side:2.4mX3.6m

**Limits**

LTE -4 Rule Part 27.53(h) specifies that “for operations in the 1695-1710 MHz, 1710-1755 MHz, 1755-1780 MHz, 1915-1920 MHz, 1995-2000 MHz, 2000-2020 MHz, 2110-2155 MHz, 2155-2180 MHz, and 2180-2200 bands, the power of any emission outside a licensee's frequency block shall be attenuated below the transmitter power (P) in watts by at least $43 + 10 \log_{10} (P)$ dB.”

LTE -12 Rule Part 27.53 (g) For operations in the 600 MHz band and the 698-746 MHz band, the power of any emission outside a licensee's frequency band(s) of operation shall be attenuated below the transmitter power (P) within the licensed band(s) of operation, measured in watts, by at least $43 + 10 \log (P)$ dB. Compliance with this provision is based on the use of measurement instrumentation employing a resolution bandwidth of 100 kilohertz or greater. However, in the 100 kilohertz bands immediately outside and adjacent to a licensee's frequency block, a resolution bandwidth of at least 30 kHz may be employed.

LTE -13 Rule Part 27.53(f) For operations in the 746-758 MHz, 775-788 MHz, and 805-806 MHz bands, emissions in the band 1559-1610 MHz shall be limited to -70 dBW/MHz equivalent isotropically radiated power (EIRP) for wideband signals, and -80 dBW EIRP for discrete emissions of less than 700 Hz bandwidth. For the purpose of equipment authorization, a transmitter shall be tested with an antenna that is representative of the type that will be used with the equipment in normal operation.

Part 27.53(a)/(h)/(g) Limit		-13 dBm
Part 27.53(f) Limit	Limit out of the band 1559-1610 MHz	-13 dBm
	Limit in the band 1559-1610 MHz	-40 dBm

Measurement Uncertainty

The assessed measurement uncertainty to ensure 95% confidence level for the normal distribution is with the coverage factor $k = \pm 1.96$, $U = \pm 3.55$ dB.

Test Result

Sweep the whole frequency band through the range from 9kHz to the 10th harmonic of the carrier, the emissions below the noise floor will not be recorded in the report.

LTE Band 4 CH-Low

Harmonic	Frequency (MHz)	SG (dBm)	Cable Loss (dB)	Gain (dBi)	Antenna Polarization	EIRP Level (dBm)	Limit (dBm)	Margin (dB)	Azimuth (deg)
2	3440.0	-57.57	2.6	10.15	Horizontal	-50.02	-13.00	37.02	0
3	5133.4	-62.05	2.4	11.35	Horizontal	-53.10	-13.00	40.10	135
4	6880.0	-57.88	4.5	10.85	Horizontal	-51.53	-13.00	38.53	45
5	8600.0	-55.84	5.1	11.35	Horizontal	-49.59	-13.00	36.59	135
6	10320.0	-53.52	5.3	11.95	Horizontal	-46.87	-13.00	33.87	225
7	12040.0	-53.64	5.5	13.55	Horizontal	-45.59	-13.00	32.59	90
8	13760.0	-51.24	6.3	13.75	Horizontal	-43.79	-13.00	30.79	180
9	15480.0	-54.46	6.7	13.85	Horizontal	-47.31	-13.00	34.31	315
10	17200.0	-50.51	6.8	14.25	Horizontal	-43.06	-13.00	30.06	180

Note: 1.The other Spurious RF Radiated emissions level is no more than noise floor.
2. The worst emission was found in the antenna is Horizontal position.

LTE Band 4 CH-Middle

Harmonic	Frequency (MHz)	SG (dBm)	Cable Loss (dB)	Gain (dBi)	Antenna Polarization	EIRP Level (dBm)	Limit (dBm)	Margin (dB)	Azimuth (deg)
2	3465.0	-58.81	2.6	10.75	Horizontal	-50.66	-13.00	37.66	315
3	5170.9	-61.37	2.4	11.05	Horizontal	-52.72	-13.00	39.72	225
4	6930.0	-56.84	4.5	11.15	Horizontal	-50.19	-13.00	37.19	135
5	8662.5	-55.62	5.1	11.35	Horizontal	-49.37	-13.00	36.37	225
6	10395.0	-53.11	5.3	11.95	Horizontal	-46.46	-13.00	33.46	270
7	12127.5	-53.21	5.5	13.55	Horizontal	-45.16	-13.00	32.16	0
8	13860.0	-51.87	6.3	13.75	Horizontal	-44.42	-13.00	31.42	135
9	15592.5	-53.74	6.7	13.85	Horizontal	-46.59	-13.00	33.59	225
10	17325.0	-50.49	6.8	14.25	Horizontal	-43.04	-13.00	30.04	270

Note: 1.The other Spurious RF Radiated emissions level is no more than noise floor.
2. The worst emission was found in the antenna is Horizontal position.

LTE Band 4 CH-High

Harmonic	Frequency (MHz)	SG (dBm)	Cable Loss (dB)	Gain (dBi)	Antenna Polarization	EIRP Level (dBm)	Limit (dBm)	Margin (dB)	Azimuth (deg)
2	3490.0	-57.21	2.6	10.15	Horizontal	-49.66	-13.00	36.66	0
3	5208.4	-62.28	2.4	11.05	Horizontal	-53.63	-13.00	40.63	135
4	6980.0	-57.56	4.5	11.15	Horizontal	-50.91	-13.00	37.91	270
5	8725.0	-55.18	5.1	11.35	Horizontal	-48.93	-13.00	35.93	0
6	10470.0	-52.77	5.3	11.95	Horizontal	-46.12	-13.00	33.12	135
7	12215.0	-53.47	5.5	13.55	Horizontal	-45.42	-13.00	32.42	45
8	13960.0	-51.94	6.3	13.75	Horizontal	-44.49	-13.00	31.49	135
9	15705.0	-56.00	6.7	13.85	Horizontal	-48.85	-13.00	35.85	225
10	17450.0	-51.00	6.8	14.25	Horizontal	-43.55	-13.00	30.55	90

Note: 1.The other Spurious RF Radiated emissions level is no more than noise floor.
 2. The worst emission was found in the antenna is Horizontal position.

LTE Band 12 CH-Low

Harmonic	Frequency (MHz)	SG (dBm)	Cable Loss (dB)	Gain (dBi)	Antenna Polarization	ERP Level (dBm)	Limit (dBm)	Margin (dB)	Azimuth (deg)
2	1408.0	-58.15	2.00	10.15	Horizontal	-52.15	-13.00	39.15	180
3	2112.0	-60.33	2.50	11.35	Horizontal	-53.63	-13.00	40.63	315
4	2816.0	-58.37	4.20	10.85	Horizontal	-53.87	-13.00	40.87	225
5	3520.0	-63.20	5.20	11.35	Horizontal	-59.20	-13.00	46.20	135
6	4224.0	-59.71	5.50	11.95	Horizontal	-55.41	-13.00	42.41	225
7	4928.0	-59.92	5.70	13.55	Horizontal	-54.22	-13.00	41.22	270
8	5632.0	-58.90	6.30	13.75	Horizontal	-53.60	-13.00	40.60	0
9	6336.0	-56.16	6.80	13.85	Horizontal	-51.26	-13.00	38.26	135
10	7040.0	-54.24	6.90	14.25	Horizontal	-49.04	-13.00	36.04	270

Note: 1. The other Spurious RF Radiated emissions level is no more than noise floor.

2. The worst emission was found in the antenna is Horizontal position.

LTE Band 12 CH-Middle

Harmonic	Frequency (MHz)	SG (dBm)	Cable Loss (dB)	Gain (dBi)	Antenna Polarization	ERP Level (dBm)	Limit (dBm)	Margin (dB)	Azimuth (deg)
2	1415.0	-61.26	2.00	10.75	Horizontal	-54.66	-13.00	41.66	135
3	2122.5	-56.86	2.51	11.05	Horizontal	-50.47	-13.00	37.47	225
4	2830.0	-59.89	4.20	11.15	Horizontal	-55.09	-13.00	42.09	270
5	3537.5	-61.47	5.20	11.15	Horizontal	-57.67	-13.00	44.67	0
6	4245.0	-58.03	5.50	11.95	Horizontal	-53.73	-13.00	40.73	135
7	4952.5	-59.31	5.70	13.55	Horizontal	-53.61	-13.00	40.61	45
8	5660.0	-59.12	6.30	13.75	Horizontal	-53.82	-13.00	40.82	225
9	6367.5	-56.59	6.80	13.85	Horizontal	-51.69	-13.00	38.69	135
10	7075.0	-53.71	6.90	14.25	Horizontal	-48.51	-13.00	35.51	225

Note: 1. The other Spurious RF Radiated emissions level is no more than noise floor.
 2. The worst emission was found in the antenna is Horizontal position.

LTE Band 12 CH-High

Harmonic	Frequency (MHz)	SG (dBm)	Cable Loss (dB)	Gain (dBi)	Antenna Polarization	ERP Level (dBm)	Limit (dBm)	Margin (dB)	Azimuth (deg)
2	1422.0	-61.30	2.00	10.15	Horizontal	-55.30	-13.00	42.30	225
3	2133.0	-56.56	2.51	11.05	Horizontal	-50.17	-13.00	37.17	270
4	2844.0	-59.66	4.20	11.15	Horizontal	-54.86	-13.00	41.86	0
5	3555.0	-61.19	5.20	11.15	Horizontal	-57.39	-13.00	44.39	270
6	4266.0	-60.64	5.50	11.95	Horizontal	-56.34	-13.00	43.34	225
7	4977.0	-60.16	5.70	13.55	Horizontal	-54.46	-13.00	41.46	270
8	5688.0	-58.31	6.30	13.75	Horizontal	-53.01	-13.00	40.01	0
9	6399.0	-57.19	6.80	13.85	Horizontal	-52.29	-13.00	39.29	135
10	7110.0	-54.28	6.90	14.25	Horizontal	-49.08	-13.00	36.08	0

Note: 1. The other Spurious RF Radiated emissions level is no more than noise floor.
 2. The worst emission was found in the antenna is Horizontal position.

LTE Band 13 CH-Low

Harmonic	Frequency (MHz)	SG (dBm)	Cable Loss (dB)	Gain (dBi)	Antenna Polarization	ERP Level (dBm)	Limit (dBm)	Margin (dB)	Azimuth (deg)
2	1556.5	-55.44	2.00	10.15	Horizontal	-49.44	-13.00	36.44	270
3	2346.0	-54.79	2.50	11.35	Horizontal	-48.09	-13.00	35.09	0
4	3128.0	-59.69	4.20	10.85	Horizontal	-55.19	-13.00	42.19	225
5	3910.0	-60.29	5.20	11.35	Horizontal	-56.29	-13.00	43.29	270
6	4692.0	-59.01	5.50	11.95	Horizontal	-54.71	-13.00	41.71	225
7	5474.0	-59.25	5.70	13.55	Horizontal	-53.55	-13.00	40.55	270
8	6256.0	-58.28	6.30	13.75	Horizontal	-52.98	-13.00	39.98	225
9	7038.0	-53.98	6.80	13.85	Horizontal	-49.08	-13.00	36.08	270
10	7820.0	-54.59	6.90	14.25	Horizontal	-49.39	-13.00	36.39	0

Note: 1. The other Spurious RF Radiated emissions level is no more than noise floor.
2. The worst emission was found in the antenna is Horizontal position.

LTE Band 13 CH-Middle

Harmonic	Frequency (MHz)	SG (dBm)	Cable Loss (dB)	Gain (dBi)	Antenna Polarization	ERP Level (dBm)	Limit (dBm)	Margin (dB)	Azimuth (deg)
2	1555.3	-58.63	2.00	10.75	Horizontal	-52.03	-13.00	39.03	135
3	2346.0	-54.33	2.51	11.05	Horizontal	-47.94	-13.00	34.94	45
4	3128.0	-59.99	4.20	11.15	Horizontal	-55.19	-13.00	42.19	135
5	3910.0	-59.40	5.20	11.15	Horizontal	-55.60	-13.00	42.60	0
6	4692.0	-59.01	5.50	11.95	Horizontal	-54.71	-13.00	41.71	135
7	5474.0	-59.25	5.70	13.55	Horizontal	-53.55	-13.00	40.55	270
8	6256.0	-60.44	6.30	13.75	Horizontal	-55.14	-13.00	42.14	0
9	7038.0	-53.98	6.80	13.85	Horizontal	-49.08	-13.00	36.08	135
10	7820.0	-54.76	6.90	14.25	Horizontal	-49.56	-13.00	36.56	45

Note: 1. The other Spurious RF Radiated emissions level is no more than noise floor.
2. The worst emission was found in the antenna is Horizontal position.



Harmonic	Frequency (MHz)	SG (dBm)	Cable Loss (dB)	Gain (dBi)	Antenna Polarization	ERP Level (dBm)	Limit (dBm)	Margin (dB)	Azimuth (deg)
2	1564.0	-58.46	2.00	10.15	Horizontal	-52.46	-13.00	39.46	225
3	2346.0	-54.09	2.51	11.05	Horizontal	-47.70	-13.00	34.70	135
4	3128.0	-60.92	4.20	11.15	Horizontal	-56.12	-13.00	43.12	225
5	3910.0	-58.48	5.20	11.15	Horizontal	-54.68	-13.00	41.68	270
6	4692.0	-58.75	5.50	11.95	Horizontal	-54.45	-13.00	41.45	225
7	5474.0	-59.39	5.70	13.55	Horizontal	-53.69	-13.00	40.69	270
8	6256.0	-61.17	6.30	13.75	Horizontal	-55.87	-13.00	42.87	225
9	7038.0	-54.02	6.80	13.85	Horizontal	-49.12	-13.00	36.12	315
10	7820.0	-55.19	6.90	14.25	Horizontal	-49.99	-13.00	36.99	135

Note: 1. The other Spurious RF Radiated emissions level is no more than noise floor.

2. The worst emission was found in the antenna is Horizontal position.

6 Main Test Instruments

Name	Manufacturer	Type	Serial Number	Calibration Date	Expiration Date
Base Station Simulator	R&S	CMW500	113824	2018-05-20	2019-05-19
Power Splitter	Hua Xiang	SHX-GF2-2-13	10120101	/	/
Spectrum Analyzer	Key sight	N9010A	MY50210259	2018-05-20	2019-05-19
Signal Analyzer	R&S	FSV30	100815	2018-12-16	2019-12-15
EMI Test Receiver	R&S	ESCI	100948	2018-05-20	2019-05-19
Loop Antenna	SCHWARZBECK	FMZB1519	1519-047	2017-09-26	2019-09-25
Trilog Antenna	SCHWARZBECK	VUBL 9163	9163-201	2017-11-18	2019-11-17
Horn Antenna	R&S	HF907	100126	2018-07-07	2020-07-06
Horn Antenna	ETS-Lindgren	3160-09	00102643	2018-06-20	2020-06-19
Horn Antenna	STEATITE	QSH-SL-26-40-K-15	16779	2017-07-20	2019-07-19
Signal generator	R&S	SMB 100A	102594	2018-05-20	2019-05-19
Climatic Chamber	ESPEC	SU-242	93000506	2017-12-17	2020-12-16
Preamplifier	R&S	SCU18	102327	2018-05-20	2019-05-19
MOB COMMS DC SUPPLY	Keysight	66319D	MY43004105	2018-05-21	2019-05-20
RF Cable	Agilent	SMA 15cm	0001	/	/
Software	R&S	EMC32	9.26.0	/	/

*****END OF REPORT *****

ANNEX A: EUT Appearance and Test Setup

A.1 EUT Appearance



Front Side

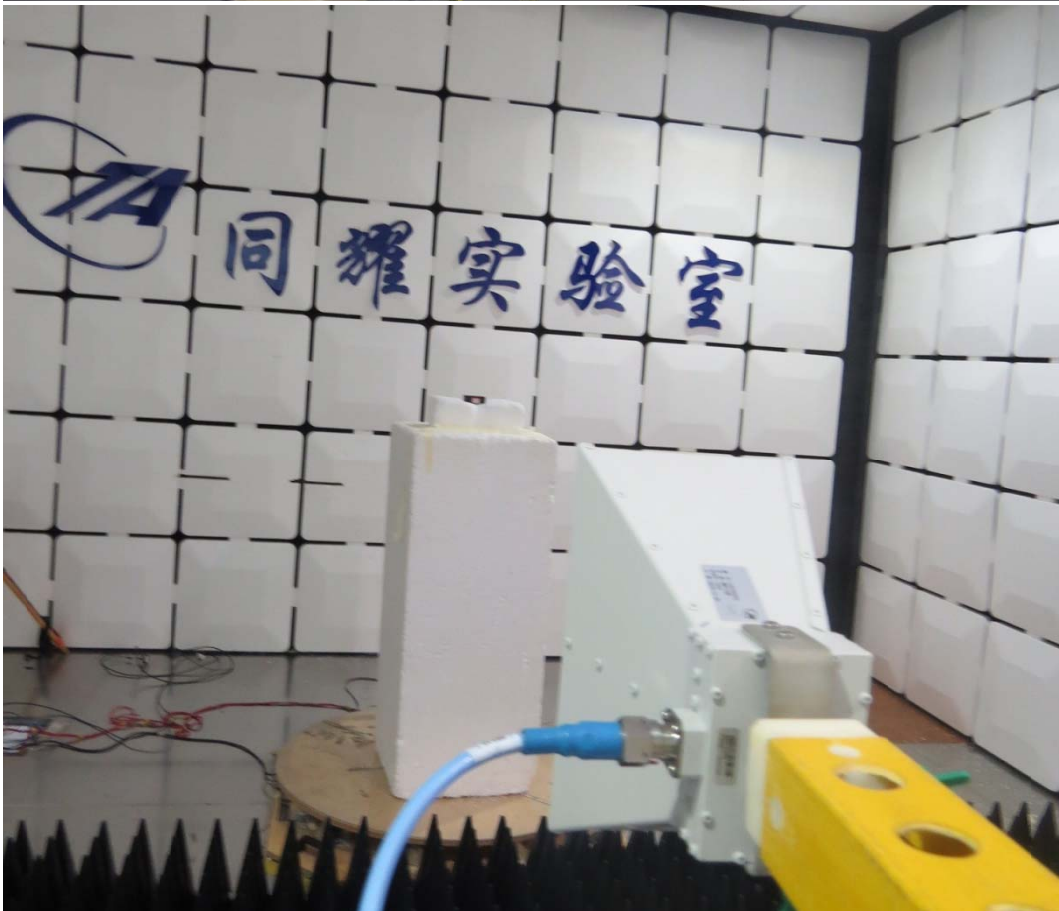


Back Side

a: EUT

Picture 1 EUT and Accessory

A.2 Test Setup



Picture 2 Radiated Spurious Emissions Test setup