

## Doorbell Camera

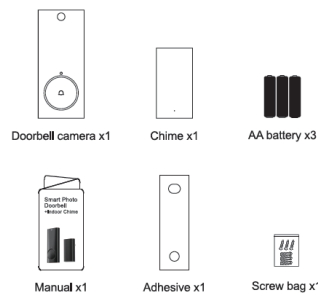
The Doorbell Camera sends a notification and a photo-stitch when it senses motion or when the doorbell button is pressed.

Your Chime will also sound a tone to let you know someone is at the door.

The Chime also help to ensure your doorbell has a strong WiFi connection, place these products as close to the doorbell as possible.

## What's in the BOX

1. Doorbell camera x1
2. Chime x1
3. AA battery x3
4. Manual x1
5. Screw bag x1
6. Adhesive x1



## Get Started

1. Download the iOS or Android "Tuya Smart" app and have your WiFi password handy.
2. Turn on your phone's Bluetooth, you can turn it off after setup. (To turn it on, go to Settings on your phone, select and turn it on.)
3. Make sure your network is 2.4GHz and working well.
4. Make sure the batteries are aligned correctly and working well.
5. Setup the doorbell camera first. The app will guide you step-by-step.

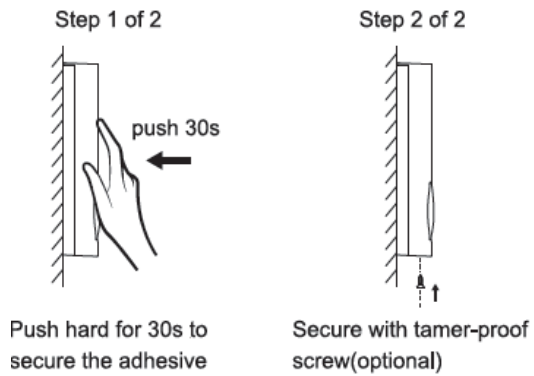
## Link the Chime to your Doorbell Camera

1. Plug in the outlet
2. Wait for few seconds until chime's indicator light begin blinking slowly (If not, try to reset the chime)
3. Press the doorbell button to pair with chime
4. If succeed, the doorbell will sound together with the doorbell, and chime's indicator light will go off
5. Note: you can press "the volume button" for 5s to reset the chime

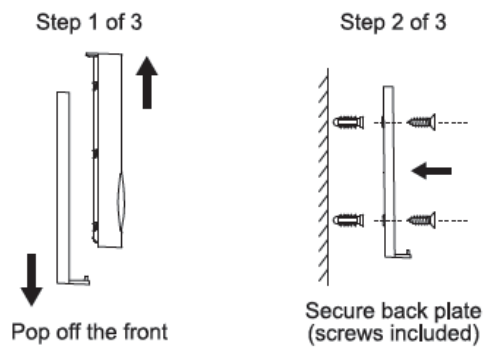
Install your Doorbell Camera

1. Support Peel & Stick and Screw Mount
2. You can install doorbell camera following the steps as follow.
3. Install the doorbell camera in the blue area. It's better to center it on the door as shown below for the best photos.

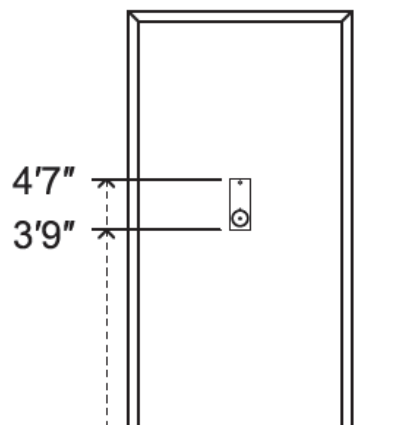
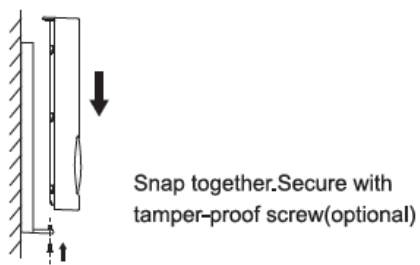
### **Peel & Stick**



### **Screw Mount**



**Step 3 of 3**



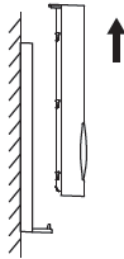
## How to Reset your Doorbell Camera (需要有示意图)

1. Remove the front cover of the doorbell
2. Press the doorbell button for 15s until the indicator light begin blinking slowly

Step 1 of 2



Step 2 of 2



## MOTION DETECTION

1. Your Doorbell Camera has a 60° viewing angle and monitor a distance of up to a 3m, in an arc 70° left and right.
2. When the doorbell detects motion, a notification with a photo-stitch will be sent to your phone.
3. Motion detection sensitivity and distance are customizable in the app. If the doorbell faces a busy street, try using the lowest setting to avoid false alarms.

## CLOUD STORAGE

1. All cameras come with a basic level of cloud storage, this what allows you to view the photos for 3X24 hours.
2. To access and store photos for longer, you can increase your amount of cloud storage by signing up additional service (optional)

## Doorbell Camera Specs

1. Power Source: 3 AA batteries
2. Operation temperature: -20°C to 50°C
3. User Location: Indoor and outdoor (IP54)
4. Mounting Method: Peel & Stick and Screw Mount

## Chime Specs

1. Power Source: 100-120V~50/60Hz
2. Operation temperature: -10°C to 45°C
3. User Location: Indoor use only
4. Mounting Method: Plug in the outlet

## Troubleshooting

1. If you're having trouble pairing, try to reset the device
2. The new setting from APP will be effective by the next button press or motion trigger or auto apply if not triggered in 12hrs
3. When you press the doorbell button, the indicator light will be on. If not, check the batteries have run out or not.

This device complies with Part 15 of the FCC Rules. Operation is subject to the following two conditions: (1) this device may not cause harmful interference, and (2) this device must accept any interference received, including interference that may cause undesired operation.

Caution: The user is cautioned that changes or modifications not expressly approved by the party responsible for compliance could void the user's authority to operate the equipment.

## Federal Communication Commission Interference Statement

This equipment has been tested and found to comply with the limits for a Class B digital device, pursuant to part 15 of the FCC Rules. These limits are designed to provide reasonable protection against harmful interference in a residential installation. This equipment generates uses and can radiate radio frequency energy and, if not installed and used in accordance with the instructions, may cause harmful interference to radio communications. However, there is no guarantee that interference will not occur in a particular installation. If this equipment does cause harmful interference to radio or television reception, which can be determined by turning the equipment off and on, the user is encouraged to try to correct the interference by one or more of the following measures:

- Reorient or relocate the receiving antenna.

- Increase the separation between the equipment and receiver.
- Connect the equipment into an outlet on a circuit different from that to which the receiver is connected.
- Consult the dealer or an experienced radio/TV technician for help.

FCC Radiation Exposure Statement:

This equipment complies with FCC radiation exposure limits set forth for an uncontrolled environment. This equipment should be installed and operated with minimum distance 20cm between the radiator & your body.

RF Exposure: A distance of 20cm shall be maintained between the antenna and users, and the transmitter module may not be colocated with any other transmitter or antenna.