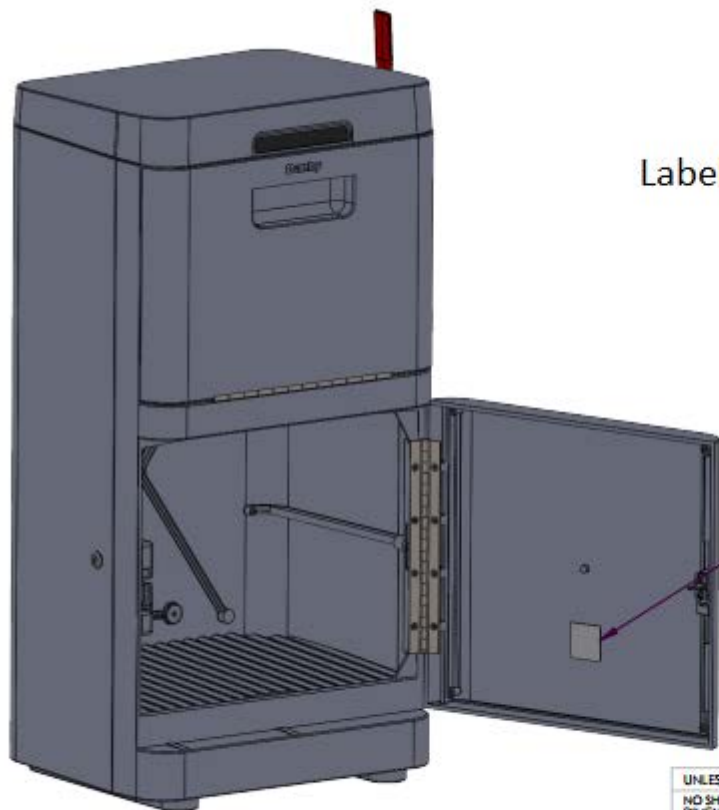


Label Size 2"x4"



LOCATION OF LABEL

UNLESS OTHERWISE SPECIFIED:

NO SHARP EDGES ON ALL PARTS
DIMENSIONS ARE IN MILLIMETERS
TOLERANCES:
X.XX ± 0.15
X.X ± 0.8
X ± 0.5
FRACTIONAL ± N/A
HOLES ± 0.15
ANGULAR: ± 1 DEGREES

PROPRIETARY AND CONFIDENTIAL

Danby Danby Products Limited
3070 Whitehawk Road, Guelph, ON
Canada, N1H 4Z9

TITLE:

LABEL - MFG SN MODEL
BAR CODE

Danby Products Ltd., Guelph ON

PATENT PENDING

UPC:



067638018494

MAC:



MM0MM0MM0SS0SS0SS

SN:



7719016700001

Model/Modèle:

DPG37B

Build Code/Code de Fabrication: 001

Build Date/Date de Fabrication: 0519

This device complies with Part 15 of the FCC rules. Operation is subject to the following two conditions: (1) this device may not cause harmful interference, and (2) this device must accept any interference that may cause undesired operation.

Cet appareil est conforme à la norme RSS exempte de licence d'Industrie Canada. 1. Son utilisation est soumise aux deux conditions suivantes: Cet appareil ne doit pas causer d'interférences. 2. Cet appareil doit accepter toutes les interférences, y compris celles susceptibles de provoquer un fonctionnement indésirable de l'appareil.



FCC ID: 2AS9ODPG37B

IC: 25031-DPG37B

CAN ICES-3 (B)/NMB-3(B)



Label Z00585-D