

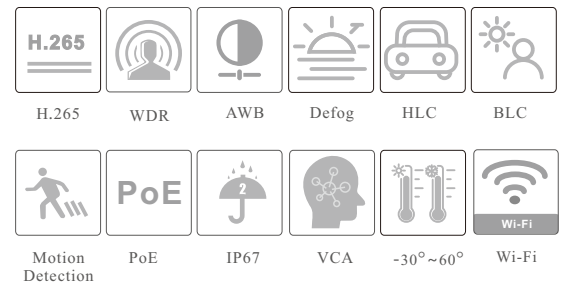
CAMERA

O4VBW2

4MP IR Water-proof Bullet Network Camera



- H.265 /H.264/MJPEG coding
- Max.resolution: 4MP (2560 × 1440)
- ICR auto switch, true day / night vision
- 3D DNR, WDR, HLC, BLC, smart IR, etc.
- ROI coding
- 20~30m IR night view distance
- Built-in micro SD card slot, up to 256GB
- IP 67 ingress protection
- Support Wi-Fi
- Support three streams
- Support remote monitoring by smart phones& tablet PCs with
- iOS and Android OS
- Intelligent analytics



en.tvt.net.cn

For more information, please visit our website

Shenzhen TVT DIGITAL TECHNOLOGY CO., LTD.

Address: 23rd Floor, Block B4, Building NO.9, Shenzhen Bay
Eco-Technology Park, Nanshan District, Shenzhen, Guangdong
Province, P.R.China

Tel: +86-755-36995888

Web site: <http://en.tvt.net.cn>

Fax: +86-755-33104777

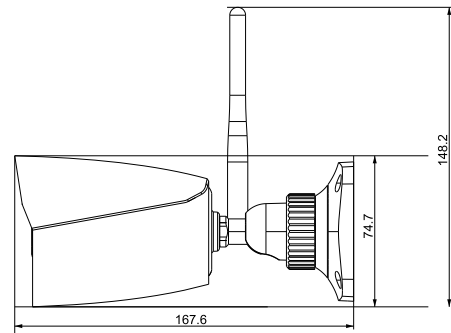
E-mail: overseas@tvt.net.cn

SPECIFICATIONS

Specifications	Model	O4VBW2			
Camera					
Image Sensor	1 / 3" CMOS				
Image Size	2560×1440				
Electronic Shutter	1 / 1s ~ 1 / 100000s				
Iris Type	Fixed Iris				
Min. Illumination	0.005 lux @F1.6, AGC ON; 0 lux with IR				
Lens	2.8mm@F1.6, Horizontal FoV: 94°; Vertical FoV: 50°; Diagonal FoV: 115° 3.6mm@F1.6, Horizontal FoV: 78°; Vertical FoV: 40°; Diagonal FoV: 97°				
Focus	Fixed				
Lens Mount	M12				
Day&Night	ICR				
Wide Dynamic Range	120dB				
BLC	Yes				
HLC	Yes				
Digital NR	Yes				
S/N ratio	≥50dB				
Angle Adjustment	Pan: 0°~360°; Tilt: 0°~80°; Rotation: 0°~360°				
Image					
Video Compression	Main stream: H.265 / H.264 Sub/Third stream: H.265 / H.264 / MJPEG				
H.265 Compression Standard	Main Profile@Leve4.1 High Tier				
Resolution	4MP (2560 × 1440), 3MP (2304 × 1296), 1080P (1920 × 1080), 720P (1280 × 720), D1, VGA (640×480), 480×240, CIF				
Main Stream	60Hz: 4MP/3MP/1080P/720P(1~30fps); 50Hz: 4MP/3MP/1080P/720P(1~25fps)				
Sub Stream	60Hz: 720P/D1/VGA/CIF (1~30fps); 50Hz: 720P/D1/VGA/CIF (1~25fps)				
Third Stream	60Hz: D1/480×240/CIF (1~30fps); 50Hz: D1/480×240/CIF (1~25fps)				
Bit Rate	64 Kbps ~ 8 Mbps				
Bit Rate Type	VBR / CBR				
Image Settings	ROI, Saturation, Brightness, Hue, Contrast, Wide Dynamic, Sharpness, Image Mirror, Image Flip, NR, etc. adjustable through client software or web browser				
ROI	Each ROI to be configured separately				
Interfaces					
Network	RJ 45 10M/100M self-adaptive Ethernet port				
Video Output	No				
Audio	1CH audio input				
Storage	Built-in micro SD card slot, up to 256GB				
Reset	Yes				
Functions					
Remote Monitoring	Web browser / TVT NVR/NVMS2.X/Mobile APP				
Web Browser	IE11(plug-in required)/Chrome 89.0+/Edge 89.0+/Firefox 87.0+/Safari 14.0+				
Online Connection	Support simultaneous monitoring for up to 3 users; Support multi-stream real time transmission				
Network Protocol	UDP, IPv4, IPv6, DHCP, NTP, RTSP, RTP, RTCP, PPPoE, DDNS, SMTP, FTP, 802.1x, SNMP, UPnP, HTTP, HTTPS, QoS				
Interface Protocol	ONVIF				
Storage	Network remote storage; micro SD card storage				
Smart Alarm	Motion detection, SD card full, SD card error				
Smart Event	Video exception (scene change, video blur and abnormal color detection), line crossing detection, region intrusion detection, abandoned/missing object detection				
General Function	Watermark, video mask, heartbeat, corridor pattern				
Security	Video encryption, firmware encryption, HTTPs encryption, configuration encryption, illegal login lock, IP address filtering, 802.1x authentication, basic and digest authentication for HTTP/HTTPS				
PoE	Yes				
IR Distance	20 ~ 30 m				
Ingress Protection	IP67				
DORI Distance					
Lens	Detect	Observe	Recognize	Identify	
2.8mm	61.76m(202.62ft)	24.70m(81.03ft)	12.35m(40.51ft)	6.18m(20.27ft)	
3.6mm	79.13m(259.61ft)	31.65m(103.83ft)	15.83m(51.93ft)	7.91m(25.95ft)	

Wi-Fi	
Wireless Standards	IEEE802.11b/g/n
Frequency Range	2.4GHz ~ 2.4835 GHz
Channel Bandwidth	20MHz
Security	WEP, WPA-PSK/WPA2-PSK
Wireless Range	80m
Transfer Rates	11b: 11Mbps 11g: 54Mbps 11n: up to 150Mbps
Others	
Power Supply	DC12V 2.0A / PoE DC48V 0.35A
Power Consumption	< 5W
Operating Environment	- 30 °C ~ 60 °C (-22°F~140°F); Humidity: less than 95 % (non-condensing)
Storage Environment	- 30 °C ~ 65 °C (-22°F~149°F), Humidity: less than 95 % (non-condensing)
Dimensions (mm)	167.6 × 74.7 × 148.2
Weight (net)	Approx. 0.465KG
Installation	Ceiling mounting; Wall mounting
Certificate	CE, FCC
Environmental Protection	Complies with Directive EU RoHS, WEEE(2012/19/EU), directive 94/62/EC and REACH(EC1907/2006)

DIMENSIONS



AVAILABLE ACCESSORIES



AVAILABLE MODEL

Available Model	O4VBW2(D/PE/WF/AR2)
-----------------	---------------------

FCC Warning:

This equipment has been tested and found to comply with the limits for a Class B digital device, pursuant to part 15 of the FCC Rules. These limits are designed to provide reasonable protection against harmful interference in a residential installation. This equipment generates, uses and can radiate radio frequency energy and, if not installed and used in accordance with the instructions, may cause harmful interference to radio communications. However, there is no guarantee that interference will not occur in a particular installation. If this equipment does cause harmful interference to radio or television reception, which can be determined by turning the equipment off and on, the user is encouraged to try to correct the interference by one or more of the following measures:

- Reorient or relocate the receiving antenna.
- Increase the separation between the equipment and receiver.
- Connect the equipment into an outlet on a circuit different from that to which the receiver is connected.
- Consult the dealer or an experienced radio/TV technician for help.

Caution: Any changes or modifications to this device not explicitly approved by manufacturer could void your authority to operate this equipment.

This device complies with part 15 of the FCC Rules. Operation is subject to the following two conditions:

(1) This device may not cause harmful interference, and (2) this device must accept any interference received, including interference that may cause undesired operation.

This equipment complies with FCC radiation exposure limits set forth for an uncontrolled environment. This equipment should be installed and operated with minimum distance 20cm between the radiator and your body.