

yGalax *Antenna Electrical Report*

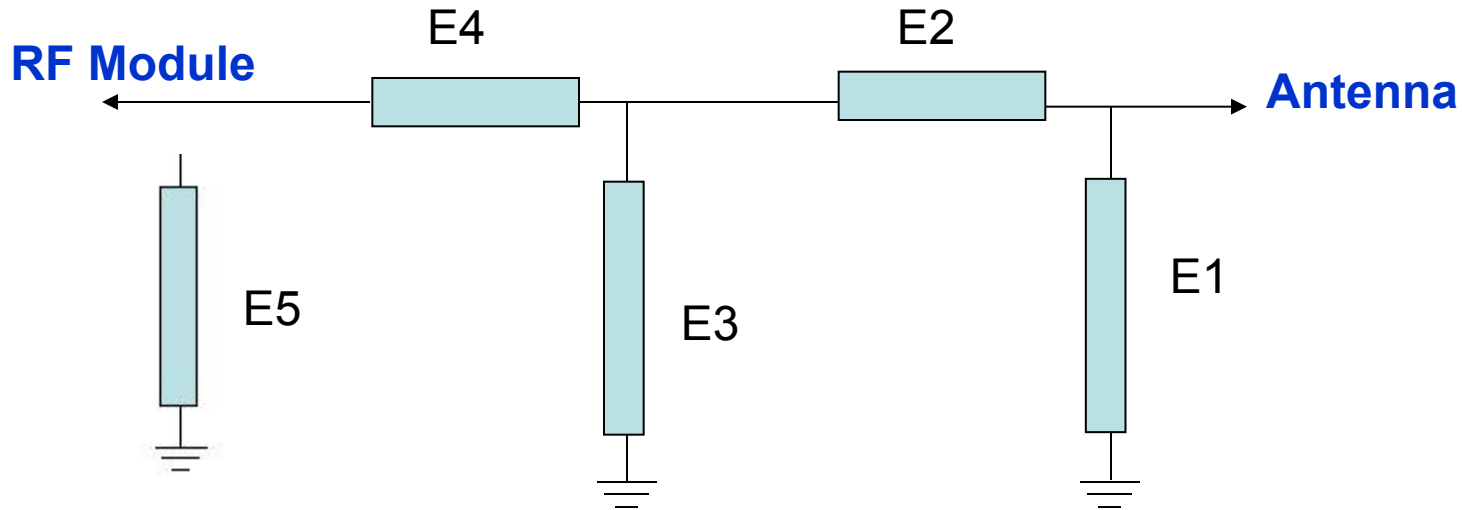
Customer : 炫名坊

Project Name:mini

RF Engineer:吴朝坤

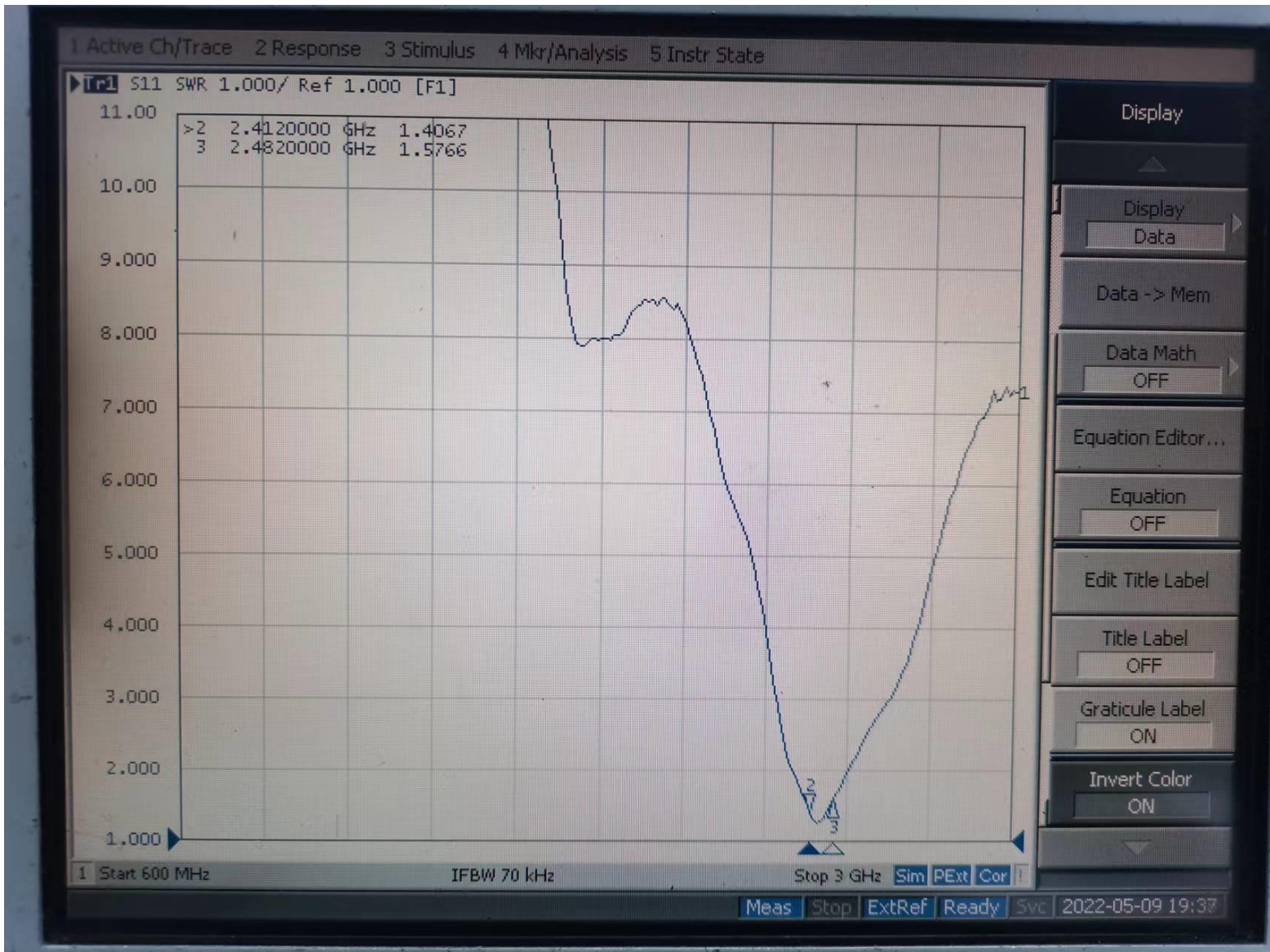
Testing Date: 20230508

Matching Circuits



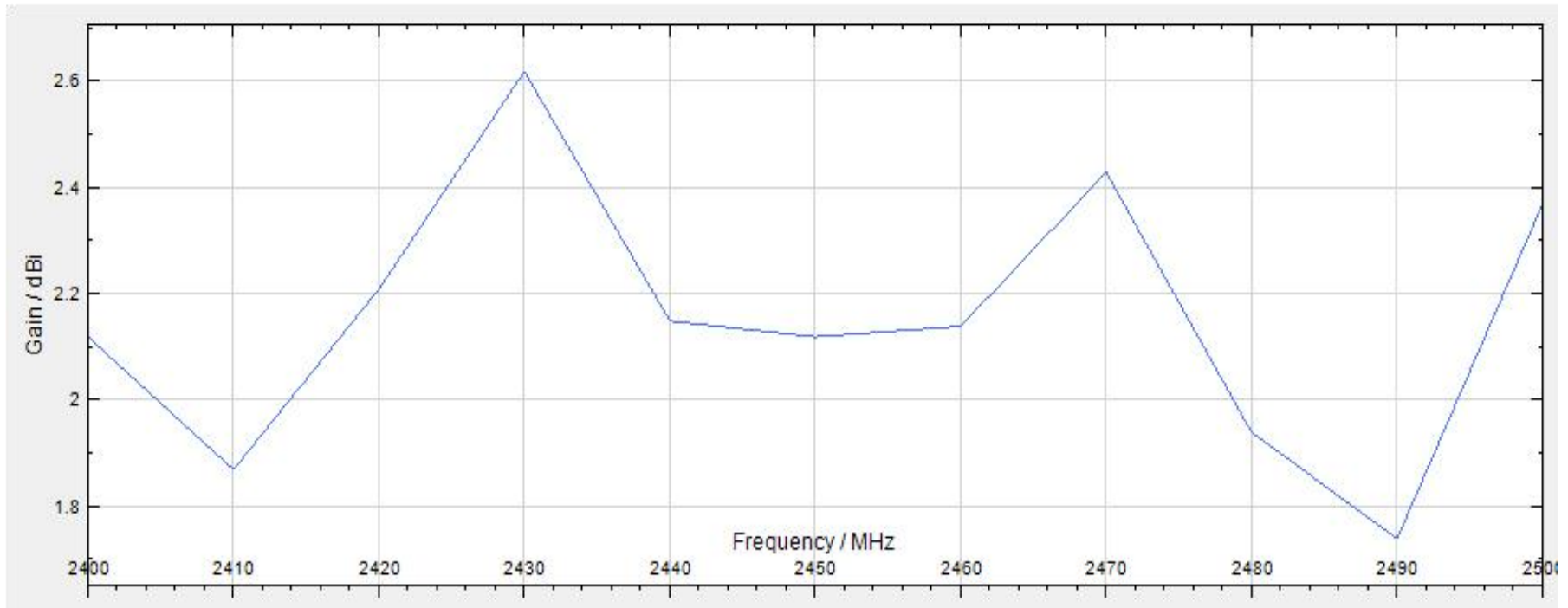
Element	Value
E1(0201)	
E2(0201)	
E3(0201)	
E4(0201)	
E5(0201)	

WiFi&BT

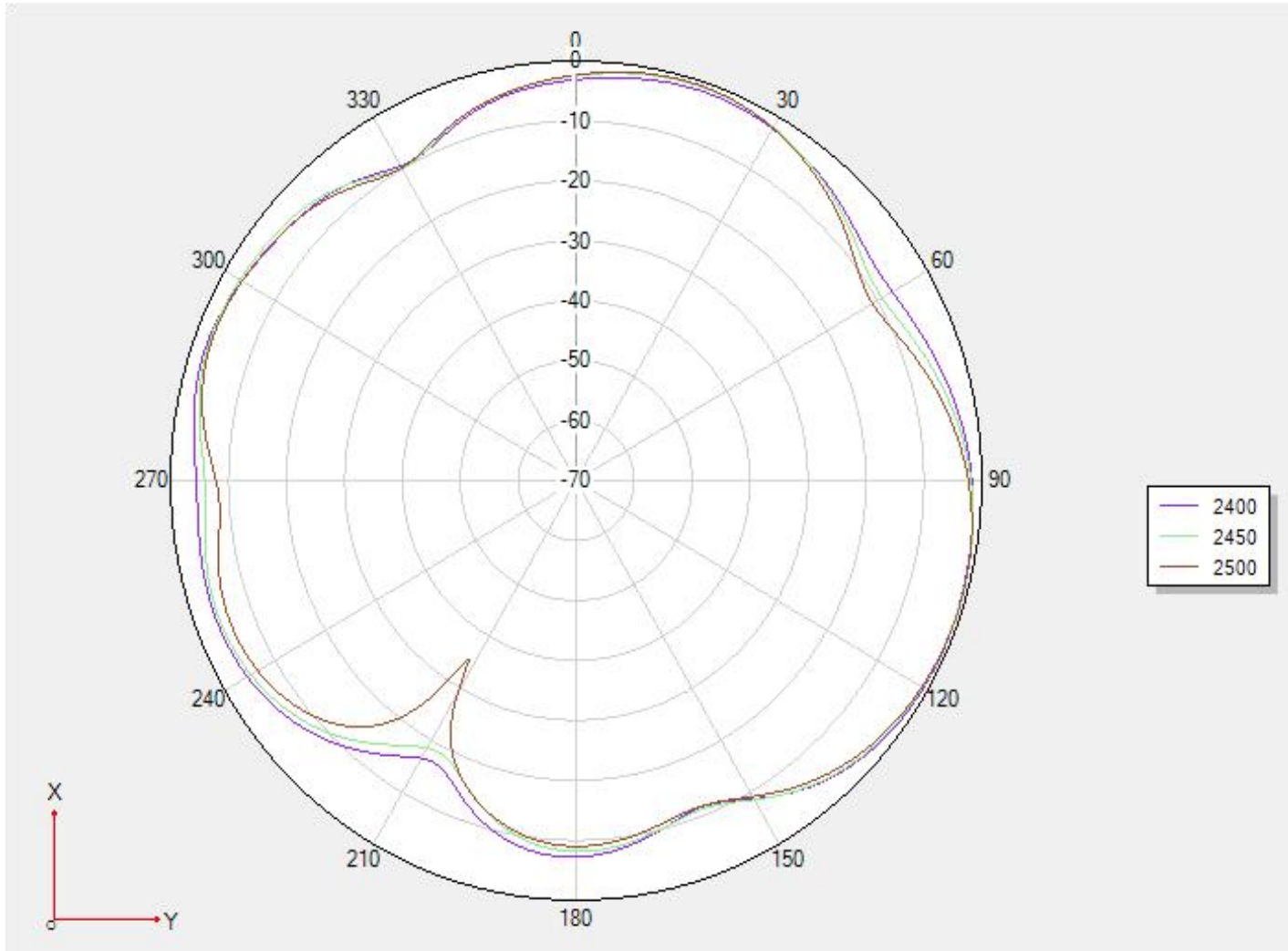


Gain and Efficiency

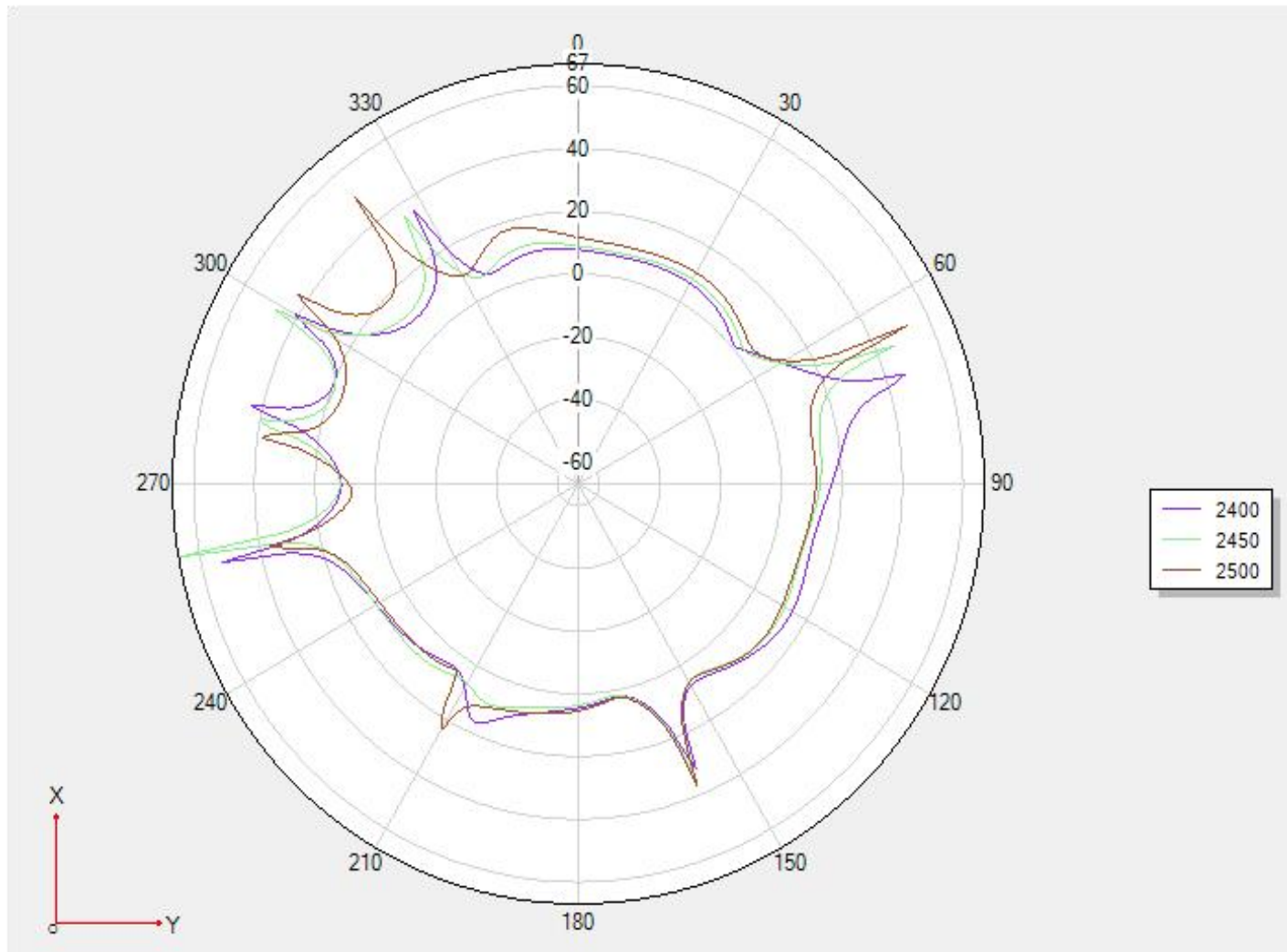
Frequency / MHz	Efficiency / dB	Efficiency / %	Gain/ dBi
2400	-3.51	44.57	2.12
2410	-3.33	46.45	1.87
2420	-3.23	47.53	2.21
2430	-3.2	47.86	2.62
2440	-3.38	45.92	2.15
2450	-3.11	48.87	2.12
2460	-3.34	46.34	2.14
2470	-3.4	45.71	2.43
2480	-3.36	46.13	1.94
2490	-3.39	45.81	1.74
2500	-3.54	44.26	2.37



2D



2D



3D

