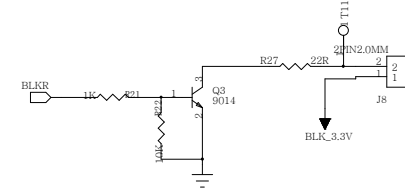
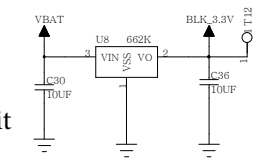


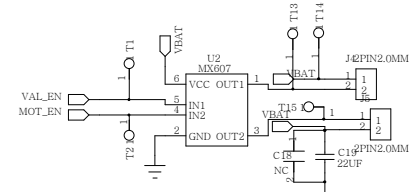
LCD screen port



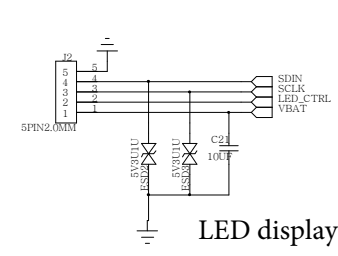
Backlight circuit



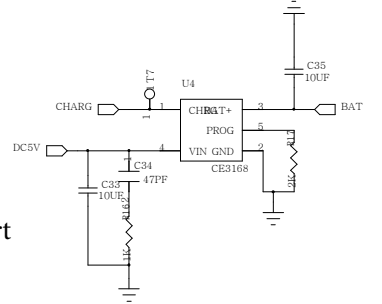
Lithium charging circuit



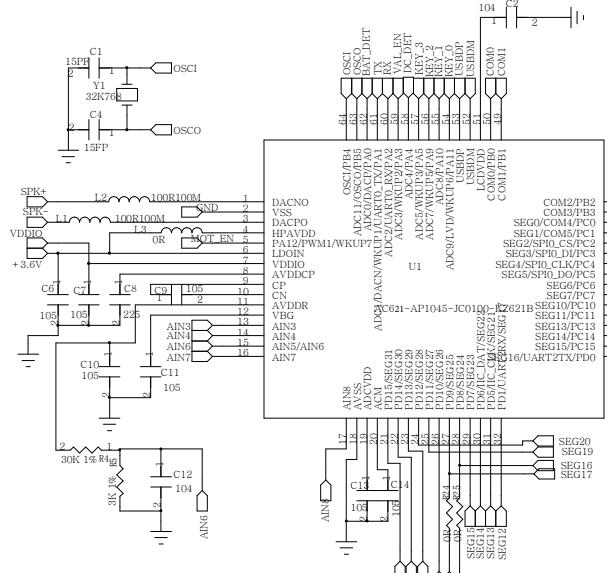
Air pump solenoid valve circuit



LED display port

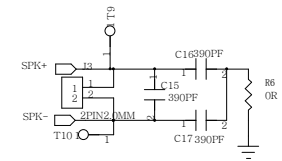
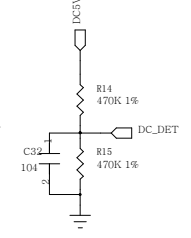
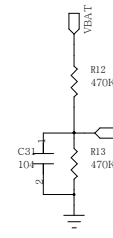


BT Port

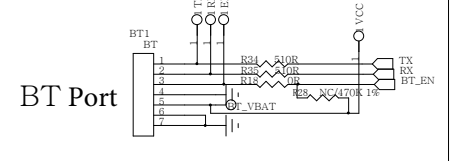


BAT_detection

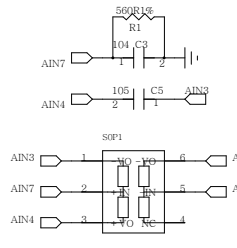
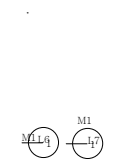
DC_detection



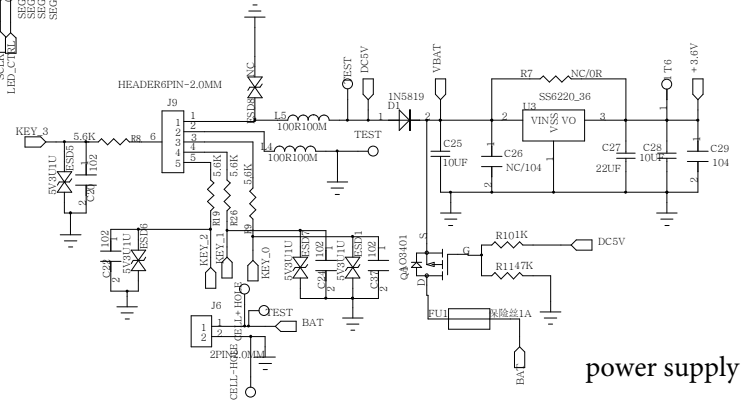
Audio circuit



Program burn port



Sensor circuit



power supply circuit