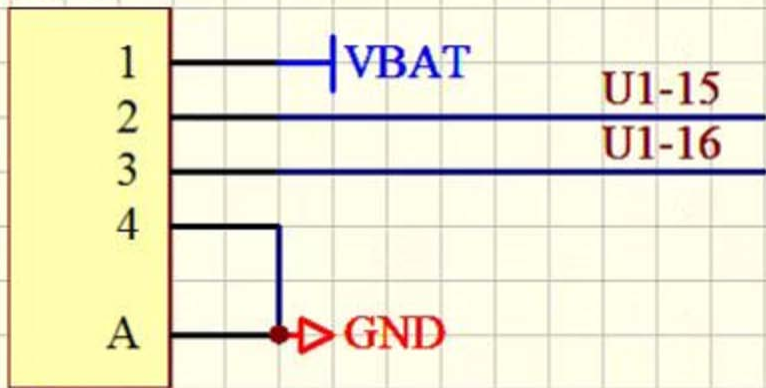


USB1



NC

