



3 in 1 WIRELESS CHARGING STATION

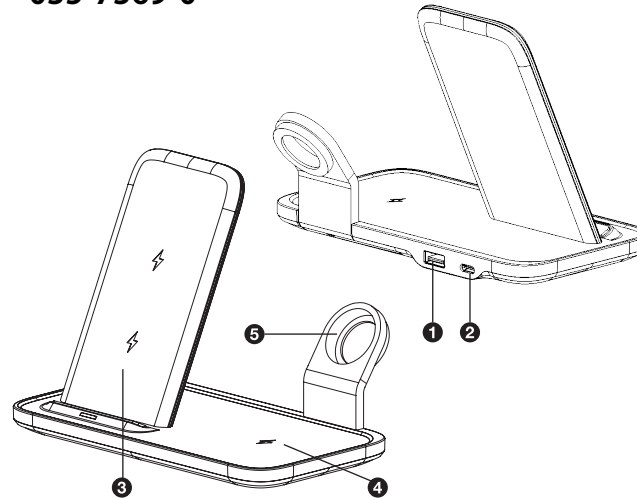
User's Manual for 035-7369



In the Box:
3-1 Wireless Charging Station
USB Power Cable

Detailed Instructions and Diagrams

035-7369-0



- 1 USB-A Output
- 2 USB-C Input
- 3 Wireless Pad #1

- 4 Wireless Pad #2
- 5 Apple Watch Charger Pass Through Slot

Technical Specifications:

Input: 5V/3A, 9V/2A
Output: 5V/1A, 9V/1.1A
Wireless Pad #1 Output: 5W, 7.5W, 10W
Wireless Pad #2 Output: 5W
USB-A Output: 5V/1A

Preparing to Charge:

- The Wireless Charging Station can charge Qi® enabled smartphones.
- You can charge your smartphone with a protective case on it. (Works with most cases up to 4 mm thick.)
- If your protective case has metallic studs, magnetic clasps, or a magnetic plate, you must remove the case before placing your phone on the pad.
- Also ensure the protective case does not create distance between the charging pad and the back of the phone that is greater than 4 mm.

Charging:

- Connect the Wireless Charger using the included USB-C power cable.
- Place your Qi enabled smartphone on Wireless Pad #1. Your smartphone will automatically begin to charge.
- For optimum charging, place your mobile phone in the center of the wireless pad.
- Place your Qi enabled wireless earbuds case on Wireless Pad #2. Your earbuds case will automatically begin to charge.

LED Status Indicator:

- Steady Light: Device is charging properly.
- Blinking Light: Foreign object detected. Charging is disabled.

Fast Charging:

- The Wireless Charging Station supports outputs of up to 10W (Fast Charging).
- To enable fast charging for your compatible device the Wireless Charging Station must be powered by a USB charger with Quick Charge 3.0 Technology (5V/3A, 9V/2A).

Troubleshooting:

- No power: First make sure you plugged the USB cord into the correct ports. Then try using a different cable.
- Device isn't charging: Make sure your smartphone is in the centre of the Wireless Charging Station. Remove the smartphone and place it on the centre of the pad.

Precautions:

- Medical Implants: Please maintain a minimum of 20 cm (8") safe distance between the Wireless Charging Station (when powered ON) and any medical implants that can be affected by a magnetic field, such as pacemakers.
- Do not immerse in liquid.
- Do not place a magnet or any magnetically sensitive devices such as credit cards on the charging pad.
- Avoid placing metal or magnetic objects near the Wireless Charging Station to prevent damage.

This device complies with Part 15 of the FCC Rules. Operation is subject to the two following conditions:

1. This device may not cause harmful interference.
2. This device must accept any interference received, including interference that may cause undesired operation.

The "Qi" symbol is a trademark of the Wireless Power Consortium.
Made in China.

FCC STATEMENT :

This device complies with Part 15 of the FCC Rules. Operation is subject to the following two conditions:

- (1) This device may not cause harmful interference, and
- (2) This device must accept any interference received, including interference that may cause undesired operation.

Warning: Changes or modifications not expressly approved by the party responsible for compliance could void the user's authority to operate the equipment.

NOTE: This equipment has been tested and found to comply with the limits for a Class B digital device, pursuant to Part 15 of the FCC Rules. These limits are designed to provide reasonable protection against harmful interference in a residential installation. This equipment generates uses and can radiate radio frequency energy and, if not installed and used in accordance with the instructions, may cause harmful interference to radio communications. However, there is no guarantee that interference will not occur in a particular installation. If this equipment does cause harmful interference to radio or television reception, which can be determined by turning the equipment off and on, the user is encouraged to try to correct the interference by one or more of the following measures:

- Reorient or relocate the receiving antenna.

- Increase the separation between the equipment and receiver.

- Connect the equipment into an outlet on a circuit different from that to which the receiver is connected.

- Consult the dealer or an experienced radio/TV technician for help.

FCC Radiation Exposure Statement:

This equipment complies with FCC radiation exposure limits set forth for an uncontrolled environment. This equipment should be installed and operated with minimum distance 20cm between the radiator & your body.

- English: "

This device complies with Industry Canada licence-exempt RSS standard(s). Operation is subject to the following two conditions:

(1) this device may not cause interference, and

(2) this device must accept any interference, including interference that may cause undesired operation of the device."

- French:"

Le présent appareil est conforme aux CNR d'Industrie Canada applicables aux appareils radio exempts de licence. L'exploitation est autorisée aux deux conditions suivantes :

(1) l'appareil n' doit pas produire de brouillage, et

(2) l'utilisateur de l'appareil doit accepter tout brouillage radioélectrique subi, même si le brouillage est susceptible d'en compromettre le fonctionnement."