

XOTIK XTX200 2.4GHz Radio Control System

Instruction Manual



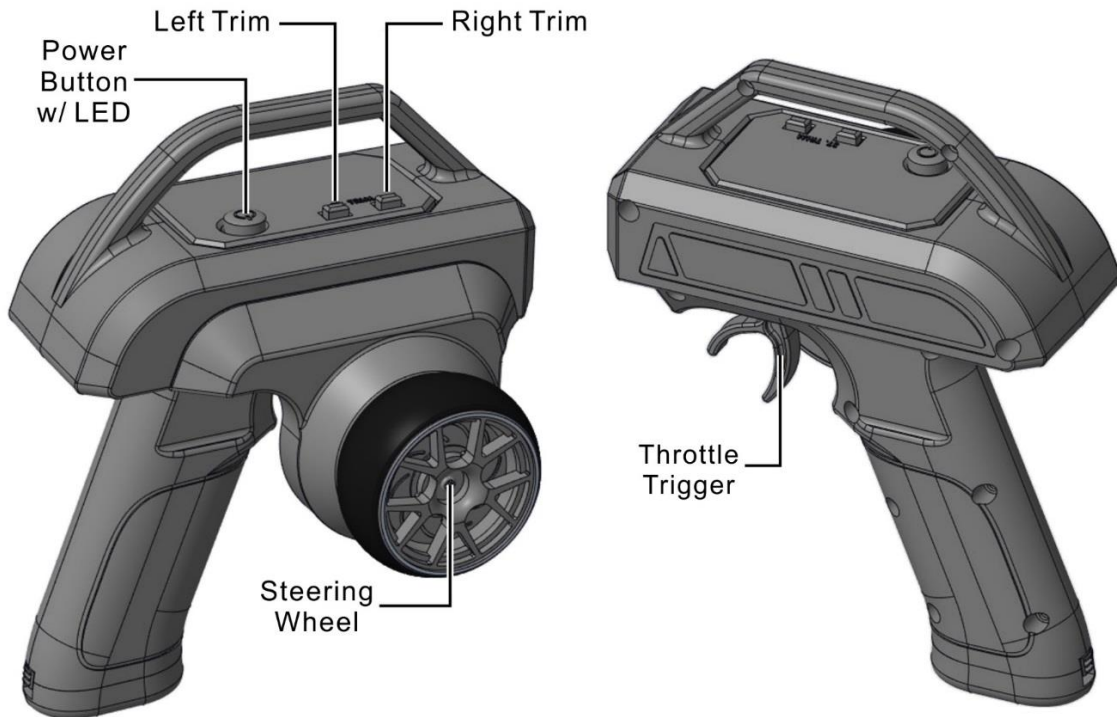
IMPORTANT! Read the ENTIRE instruction manual to become familiar with the features of the product before operating. This manual contains instructions for safety, operation, and maintenance. It is essential to read and follow all the instructions and warnings in the manual, prior to assembly, setup or use, in order to operate correctly and avoid damage or serious injury.

NOTICE: All instructions, warranties, and other collateral documents are subject to change at the sole discretion of XOTIK. For up-to-date product literature, please visit www.xotikmodel.com.

FEATURES

- 2.4GHz Spread Spectrum Technology
- Built in failsafe function
- Push button steering trim
- Ergonomic drop wheel design

SPECIFICATIONS



XTX200 TRANSMITTER

Channels: 2

Frequencies: 2.405 – 2.475GHz

Modulation: FHSS spread spectrum

Input Power: 2.20 – 3.0V DC

Output Power: <0.1W

Power On Indicator: LED

XRX200E RECEIVER

Channels: 2

Frequencies: 2.405 – 2.475GHz

Modulation: FHSS spread spectrum

Input Power: 2.9 – 4.2V DC

Power On Indicator: LED

SAFETY PRECAUTIONS

- **IMPORTANT!** Always follow these instructions when operating this system.
- Do not modify or alter this system.
- The system is suitable for ages 14 and above.
- Switch off the transmitter and take out the battery when it is not in use.
- Do not operate near people or animals.
- Do not allow any water or moisture to make contact with the system.
- Before operating, examine all parts for damage. If any is found, do not operate until the damage has been repaired.
- Use a clean cloth to wipe the transmitter clean.
- Keep the transmitter and batteries away from direct sunlight and/or heat sources.
- Visit www.xotikmodel.com for repair guides and replacement parts.

FCC STATEMENT

This device complies with part 15 of the FCC rules. Operation is subject to the following two conditions.



- (1) This device may not cause harmful interference.
- (2) This device must accept any interference received, including interference that may cause undesired operation.

FCC Rf Radiated Exposure Statement: This equipment complies with FCC radiation exposure limits set forth for an uncontrolled environment. This equipment should be installed and operated with a minimum distance of 20cm between the radiator (transmitter) and your body. This transmitter must not be co-located or operating in conjunction with any other antenna or transmitter.

NOTE: THE MANUFACTURER IS NOT RESPONSIBLE FOR ANY RADIO OR TV INTERFERENCE CAUSED BY UNAUTHORIZED MODIFICATIONS TO THIS EQUIPMENT. ANY CHANGES OR MODIFICATIONS NOT EXPRESSLY APPROVED BY THE PARTY RESPONSIBLE FOR COMPLIANCE COULD VOID THE USER'S AUTHORITY TO OPERATE THE EQUIPMENT.

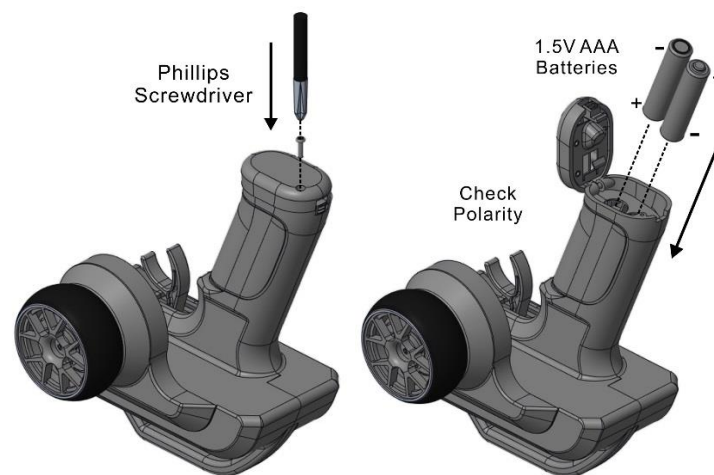
FCC ID:2AS4Q-XTX200

BATTERY REQUIREMENT

The transmitter requires two 1.5V AAA size batteries (not included).

- Do not power transmitter by mixing different types of batteries, or old and new batteries.
- Use only batteries of the same or equivalent type as those recommended.
- **IMPORTANT!** Do not operate with weak batteries as it could result in reduced range and/or possible loss of control.

TRANSMITTER SETUP



Remove the safety screw and press the lever at the base of the handle to swing open the battery door. Install the two batteries according the orientation stated inside the battery compartment. After battery installation, close battery door and tighten safety screw.

Press in the power button on the top of the transmitter. The LED around the power button will glow after power on. If not, power off the transmitter and re-check the installation of batteries. A flashing LED means low batteries and needs to be replaced.

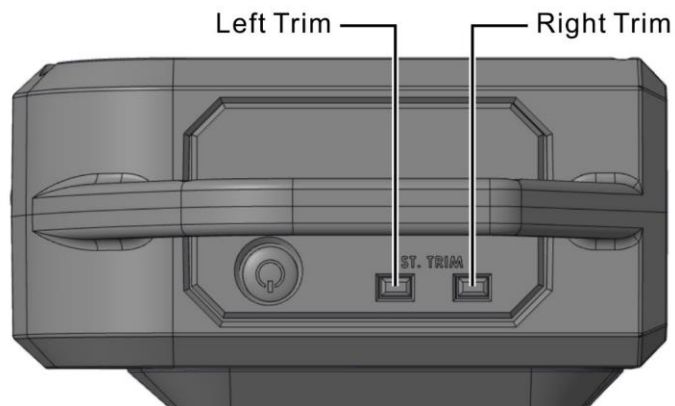
IMPORTANT! Always power on the transmitter first and the receiver second. Your transmitter will automatically link (connect) to your receiver. If you are running two or more receivers at the same time be sure to power on the receiver one at a time. If not you may link to the wrong transmitter.

RECEIVER SETUP

Mount the receiver as stated in the model's instructions.

IMPORTANT! Always power on the transmitter first and the receiver second. Your transmitter will automatically link (connect) to your receiver. If you are running two or more receivers at the same time be sure to power on the receiver one at a time. If not you may link to the wrong transmitter.

STEERING TRIM CONTROL



The center point of the steering can be finely adjusted as needed to get the best control of the model. Press either of the two ST TRIM button on the top control panel of the transmitter to adjust the left and right center trim of the model.

The center position of the steering can be identified when the LED flashes briefly while the left or right trim is being adjusted.

FAILSAFE

A failsafe function is built into the transmitter system. If the link between the transmitter and receiver is broken, both steering and throttle will return automatically to the center position. To re-established normal function, both transmitter and receiver will need to be power cycled (turned off, then turned back on).

POWERING THE SYSTEM

IMPORTANT! Always power on the transmitter first, then power on the receiver. Always power off the receiver first, then power off the transmitter. Never power off the transmitter while running the model.

CARE AND MAINTENANCE

- After each run, examine all parts for damage. If any is found, do not operate until the damage has been repaired.
- Use a clean cloth to wipe the transmitter clean.
- Keep the transmitter and battery away from direct sunlight and/or heat sources.
- For long term storage, we recommend removing the transmitter batteries to avoid unwanted corrosion.

REPLACEMENT AND OPTION PARTS

For a complete list of replacement and option parts, visit www.xotikmodel.com.

WARRANTY AND PRODUCT SUPPORT

Do not return your product to the place of purchase. XOTIK will repair or replace factory defects for 30 days from the date of purchase. This warranty specifically does not cover crash damage, misuse, or abuse. To make a warranty claim, please contact our product support team at productsupport@xotikmodel.com. This warranty applies only if the product is operated in compliance with the instructions and warnings provided with this model. XOTIK assumes no liability except for the exclusive remedy or repair of parts as specified above. XOTIK shall not be liable for consequential or incidental damages.

If you have any questions, please contact: productsupport@xotikmodel.com

XOTIK

Guangzhou Youli Plastic Manufacture Co., Ltd

No.7 The Keer Road, Dongchong Town, Nansha, Guangzhou 511475, Guangdong, China

Tel: 86-20-3491-2638

Fax: 86-20-3491-2678

Made In Guangzhou, Guangdong, China

FCC Statement

1. This device complies with Part 15 of the FCC Rules. Operation is subject to the following two conditions:

(1) This device may not cause harmful interference.

(2) This device must accept any interference received, including interference that may cause undesired operation.

2. Changes or modifications not expressly approved by the party responsible for compliance could void the user's authority to operate the equipment.

NOTE:

This equipment has been tested and found to comply with the limits for a Class B digital device, pursuant to Part 15 of the FCC Rules. These limits are designed to provide reasonable protection against harmful interference in a residential installation.

This equipment generates uses and can radiate radio frequency energy and, if not installed and used in accordance with the instructions, may cause harmful interference to radio communications. However, there is no guarantee that interference will not occur in a particular installation. If this equipment does cause harmful interference to radio or television reception, which can be determined by turning the equipment off and on, the user is encouraged to try to correct the interference by one or more of the following measures:

Reorient or relocate the receiving antenna.

Increase the separation between the equipment and receiver.

Connect the equipment into an outlet on a circuit different from that to which the receiver is connected.

Consult the dealer or an experienced radio/TV technician for help.

Body-worn Operation

This device was tested for typical body-worn operations. To comply with RF exposure requirements, a minimum separation distance of 10mm must be maintained between the user's body and the handset, including the antenna. Third-party belt-clips, holsters, and similar accessories used by this device should not contain any metallic components. Body-worn accessories that do not meet these requirements may not comply with RF exposure requirements and should be avoided. Use only the supplied or an approved antenna.