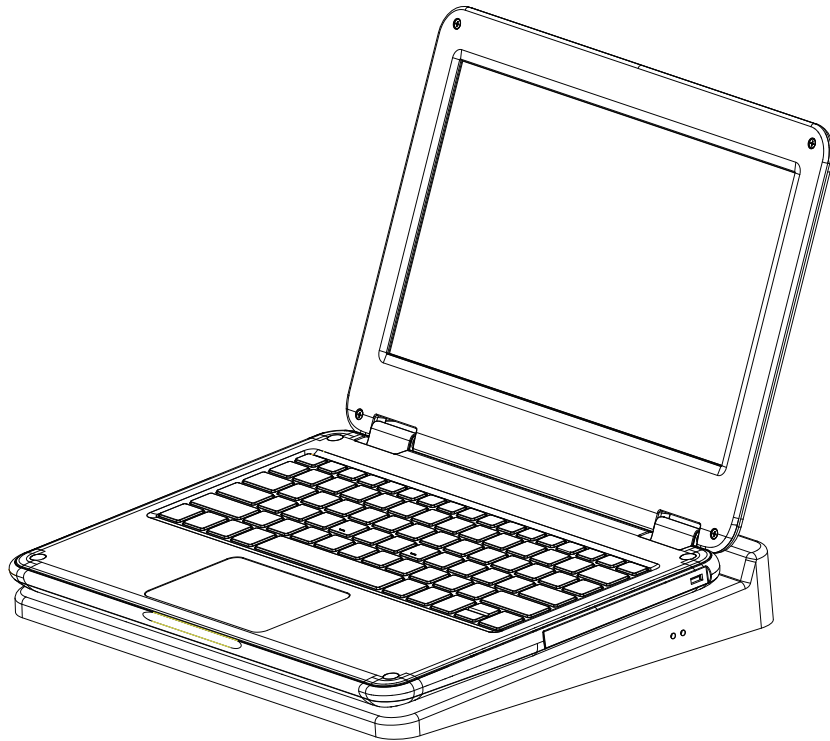


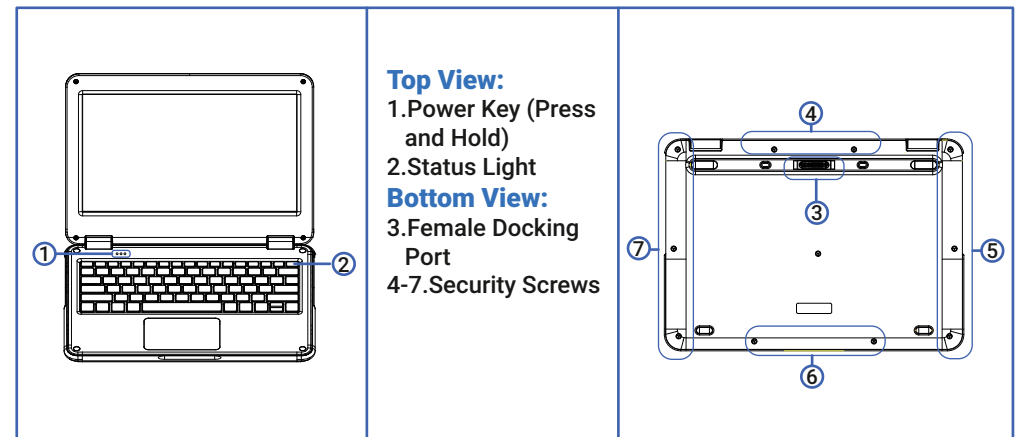
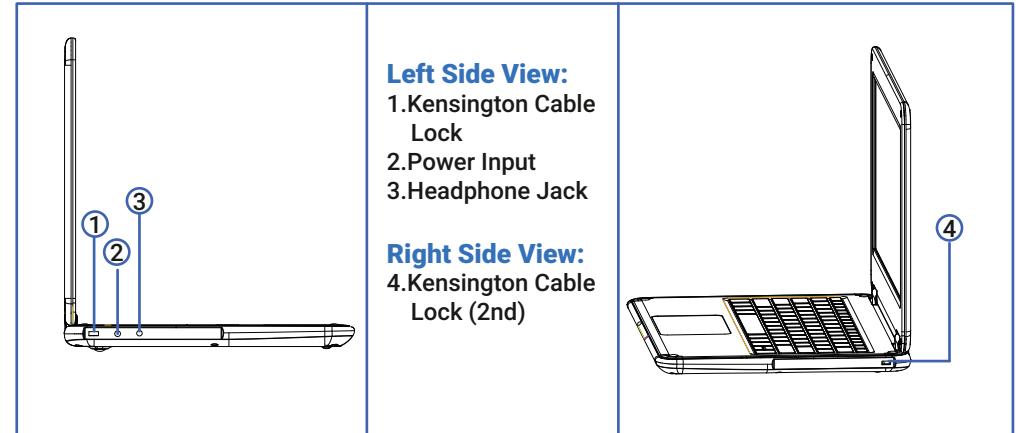
JTS Securebook 6 Quick Start Guide



This guide covers operation of the Securebook 6 hardware only.

Ports and Connectivity:

The Securebook by itself has no I/O ports for content to go on or off of the device. The Securebook connects to a docking station (the Securedock) in order to provide access to USB ports, HDMI, Ethernet, or WiFi (optional), which are included only in the Securedock.

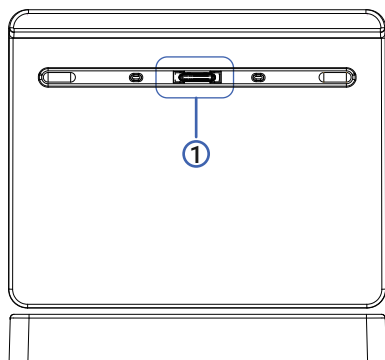


BIOS Administration:

The Securebook has a number of BIOS options to keep the device secure. By default, a password has been set on BIOS. For most secure deployments, BIOS is accessed with a USB unlock key. Press esc key at American Megatrends boot screen to enter BIOS.

Pairing with Securedock (Sold Separately):

The Securedock is a docking station designed to add USB, HDMI, Ethernet, or WiFi (optional) connectivity ports to your Securebook for short periods of time. This is valuable for managing the device. By putting all of the connectivity ports on a separate piece of hardware (the Securedock), the Securebook cannot be abused by residents who wish to transfer content or access a network while in their living units unsupervised. Any Securebook works with any Securedock. Do not provide access to a Securebook and Securedock simultaneously unless supervised by admin.



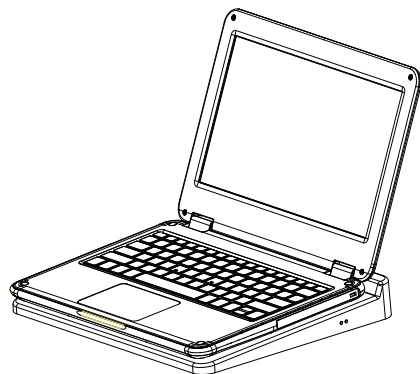
Securedock:

1. Male Docking Port

IMPORTANT:

Do not provide access to a Securebook and Securedock simultaneously unless supervised by admin.

When provided access to a Securedock, the computer can have unrestricted access to USB and network ports.



Important Note:

This guide does not cover the operation of software on the Securebook. The Securebook is compatible with a variety of operating systems, including Windows, Ubuntu Linux, Chrome (via CloudReady), and Endless OS for Corrections.

FCC Warning

This device complies with part 15 of the FCC rules. Operation is subject to the following two conditions: (1) this device may not cause harmful interference, and (2) this device must accept any interference received, including interference that may cause undesired operation.

NOTE: The manufacturer is not responsible for any radio or TV interference caused by unauthorized modifications or changes to this equipment. Such modifications or changes could void the user's authority to operate the equipment.

Note:

This equipment has been tested and found to comply with the limits for a Class B digital device, pursuant to part 15 of the FCC Rules. These limits are designed to provide reasonable protection against harmful interference in a residential installation. This equipment generates uses and can radiate radio frequency energy and, if not installed and used in accordance with the instructions, may cause harmful interference to radio communications.

However, there is no guarantee that interference will not occur in a particular installation. If this equipment does cause harmful interference to radio or television reception, which can be determined by turning the equipment off and on, the user is encouraged to try to correct the interference by one or more of the following measures:

- Reorient or relocate the receiving antenna.
 - Increase the separation between the equipment and receiver.
 - Connect the equipment into an outlet on a circuit different from that to which the receiver is connected.
 - Consult the dealer or an experienced radio/TV technician for help.
- The SAR limit of USA (FCC) is 1.6 W/kg averaged over one gram of tissue. Device types Securebook 6 (FCC ID: 2AS4KJTS-SEBOOK6) and Securebook 6DSW (FCC ID: 2AS4KJTS-SEBOOK6DS) has also been tested against this SAR limit. To maintain compliance with FCC RF exposure requirements, use accessories that maintain a 0mm separation distance between the user's body and the back of the handset. The use of belt clips, holsters and similar accessories should not contain metallic components in its assembly. The use of accessories that do not satisfy these requirements may not comply with FCC RF exposure requirements, and should be Avoided.

UL warning

Do not use the device in the environment at too high or too low temperature, never expose the device under strong sunshine or too wet environment. The suitable temperature for the product is -20~60℃.

CAUTION RISK OF EXPLOSION IF BATTERY IS REPLACED BY AN INCORRECT TYPE. DISPOSE OF USED BATTERIES ACCORDING TO THE INSTRUCTIONS.

The battery shall be prevented to be exposed in effulgence so as not to cause over-heated, distort, smoke and weaken its performance and cycle life.

There is a protective circuit inside the battery to prevent contingency. Do not use the battery in the Electro static circumstances, (above 1000V), for it is easily destroyed the circuit board so that the battery doses not work and causes over-heated, distort, smoke or burning.

When charging, please place the device in an environment that has a normal room temperature and good ventilation. It is recommended to charge the device in an environment with a temperature that ranges from 10℃~40℃.

- Replacement of a battery with an incorrect type that can defeat a safeguard;
- Disposal of a battery into fire or a hot oven, or mechanically crushing or cutting of a battery, that can result in an explosion;
- leaving a battery in an extremely high temperature surrounding environment that can result in an explosion or the leakage of flammable liquid or gas;
- A battery subjected to extremely low air pressure that may result in an explosion or the leakage of flammable liquid or gas;
- Risk of fire or explosion if the battery is replaced by an incorrect type;