

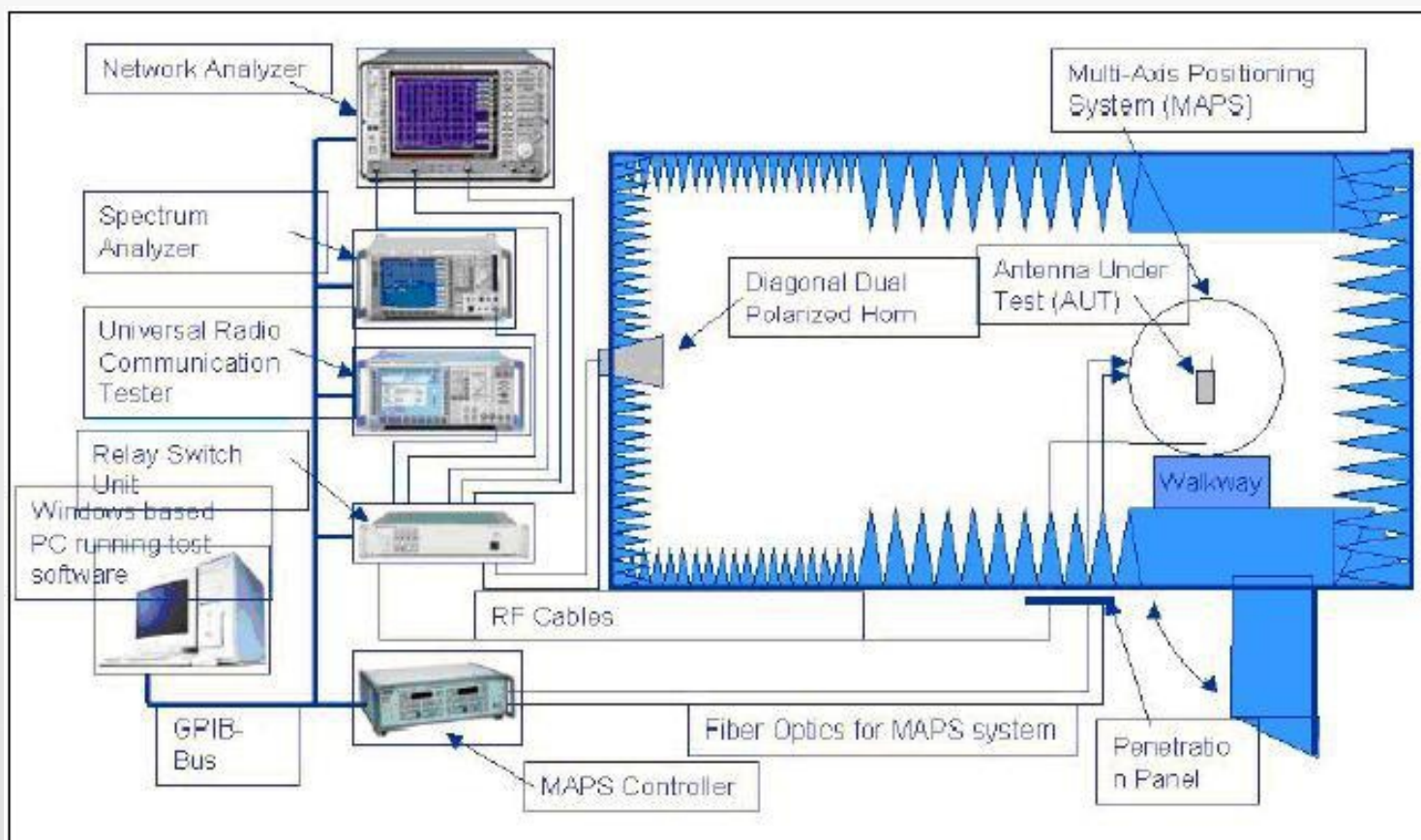
调频: 2.4GMHz
Topocom —The test report

EL PASO COMMUNICATION SYSTEMS, INC
8301 NW 27 St. #1 Dorlal,FL 33122 USA

2021-08-17

一、测试环境：CTIA 743暗室，8960/5515C，E型wifi天线背向放置离标准喇叭天线3米转台处

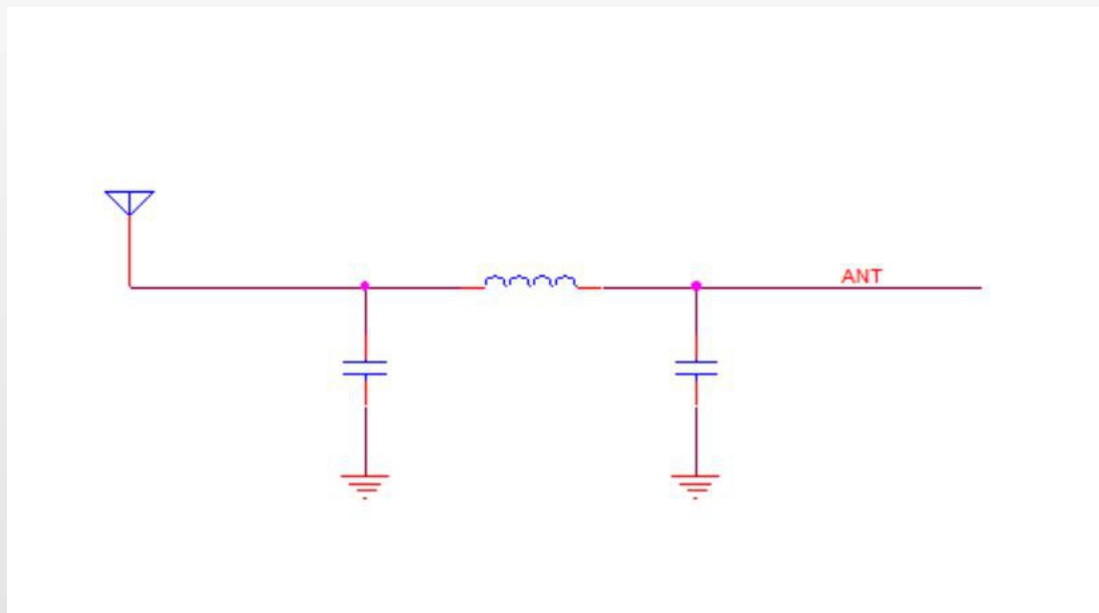
Test environment :CTIA 743 darkroom, 8960/5515C, type E wifi antenna is placed at the turntable 3 meters away from the standard horn antenna



二、匹配电路。 Matching circuit

只测试天线，未增加匹配电路。

Only the antenna is tested, no matching circuit is added.

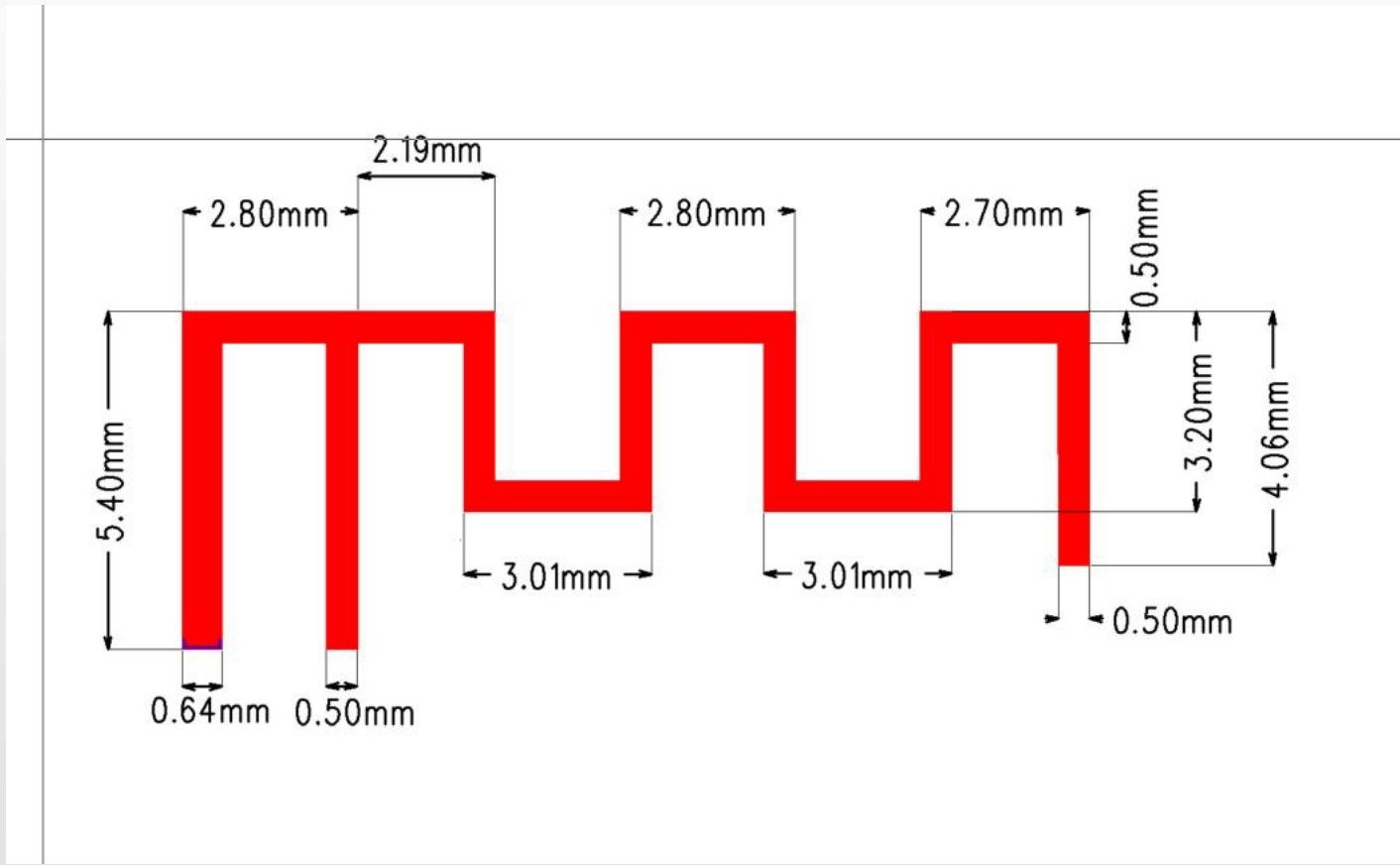


驻波比 (SWR) :



E型天线尺寸:

E antenna size:



PCB E型天线辐射数据:
PCB E antenna radiation data:

Passive Test For WIFI										
Freq (MHz)	Effi (%)	Effi (dB)	Gain (dBi)	Gain (dBd)	UHS (%)	DHS (%)	Max (dB)	Min (dB)	Attenut Hor	Attenut Ver
2400	43.32	-3.63	2.07	-0.08	22.696	20.627	2.07	-14.98	50.98	51.66
2410	38.68	-4.13	1.48	-0.67	20.34	18.34	1.48	-14.22	50.3	51.33
2420	40.12	-3.97	1.53	-0.62	21.131	18.985	1.53	-14.22	50.35	51.37
2430	36.17	-4.42	0.99	-1.16	18.964	17.205	0.99	-16.03	50.82	51.91
2440	39.81	-4	1.33	-0.82	20.882	18.931	1.33	-18.47	50.21	51.68
2450	38.63	-4.13	1.13	-1.02	20.252	18.38	1.13	-22.47	50.71	51.95
2460	41.04	-3.87	1.35	-0.8	21.442	19.594	1.35	-25.74	51.26	52.86
2470	36.78	-4.34	0.83	-1.32	19.078	17.697	0.83	-24.39	51.08	53.04
2480	39.15	-4.07	1.07	-1.08	20.095	19.058	1.07	-22.06	51.31	53.01
2490	35.46	-4.5	0.55	-1.6	17.911	17.552	0.55	-21.15	51.8	53.95
2500	35.49	-4.5	0.43	-1.72	17.654	17.835	0.43	-20.45	51.02	53.11

