

Support

Visit us at: www.miko.ai

Contact us: support@miko.ai

Helpline no.: +91-8655033245*

* Monday to Saturday. 9:30 a.m. to 6.00 p.m.



emotix
Emotional intelligence
www.emotix.in

Miko²

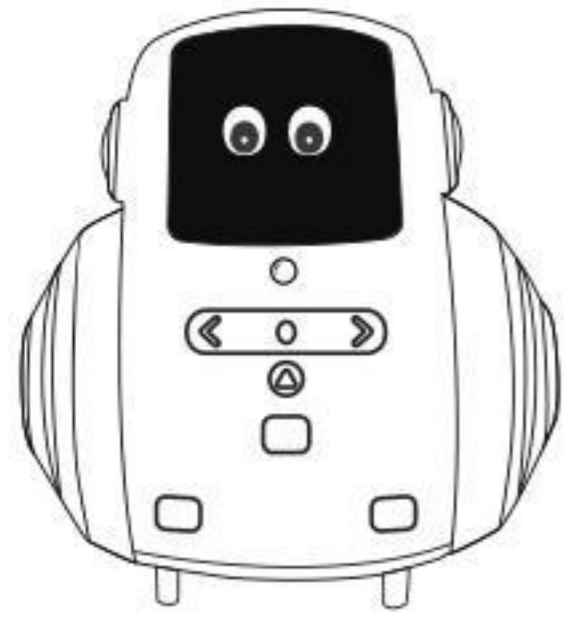
M Y C O M P A N I O N

Opens up your child's world

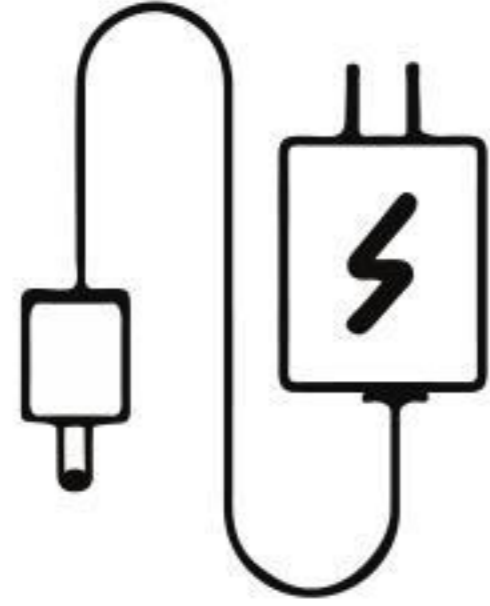


QUICK START GUIDE

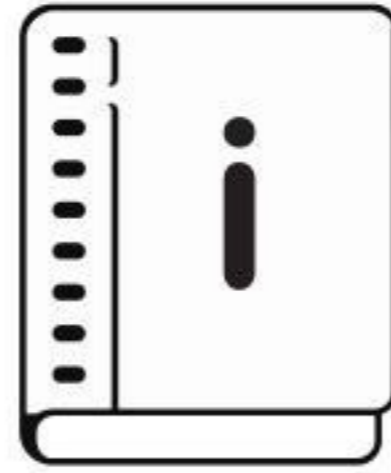
What's included



Miko 2



Power Adapter



User Manual

Regulatory

This device complies with IS 9873-1, 2, 3, 4 & 9, IS 16046:2015, IS 15644, IS 13252, EN 71-1,2,3 requirements.

Android

Android TM is a trademark of Google Inc. Google Play and the Google Play logo are trademarks of Google Inc. Use of this trademark is subject to Google Permissions.

Apple

Apple, the Apple logo, iPhone, and iPad are trademarks of Apple Inc., registered in the U.S. and other countries and regions. App Store is a service mark of Apple Inc.

Software

Miko 2 connects with proprietary software developed and copyrighted by emotix.

What's required

To setup



A compatible device

To play



A flat surface to play



A steady internet connection

©2018 RN Chidakshi Technologies. Pvt. Ltd. All Rights Reserved. emotix, the emotix logo and Miko 2 logo are trademarks of RN Chidakshi Technologies. Pvt. Ltd. All other trademarks mentioned in this guide are the property of their respective owners.

User Manual and Warranty Policy

Go to www.miko.ai/manuals. The explanations provided in this guide are for information purpose only and may be modified. The latest version of this guide can be found at www.miko.ai/manuals.

Safety and Handling

See "safety and handling information" in the Miko 2 User Manual. To avoid injury or harm, please read all the safety information and operating instructions. To reduce the risk of damage or injury, do not attempt to remove Miko 2's shell. Do not attempt to service Miko 2 by yourself, please refer all non-routine servicing questions to emotix.

Health Considerations

See "Health Consideration" in the Miko 2 User Manual.

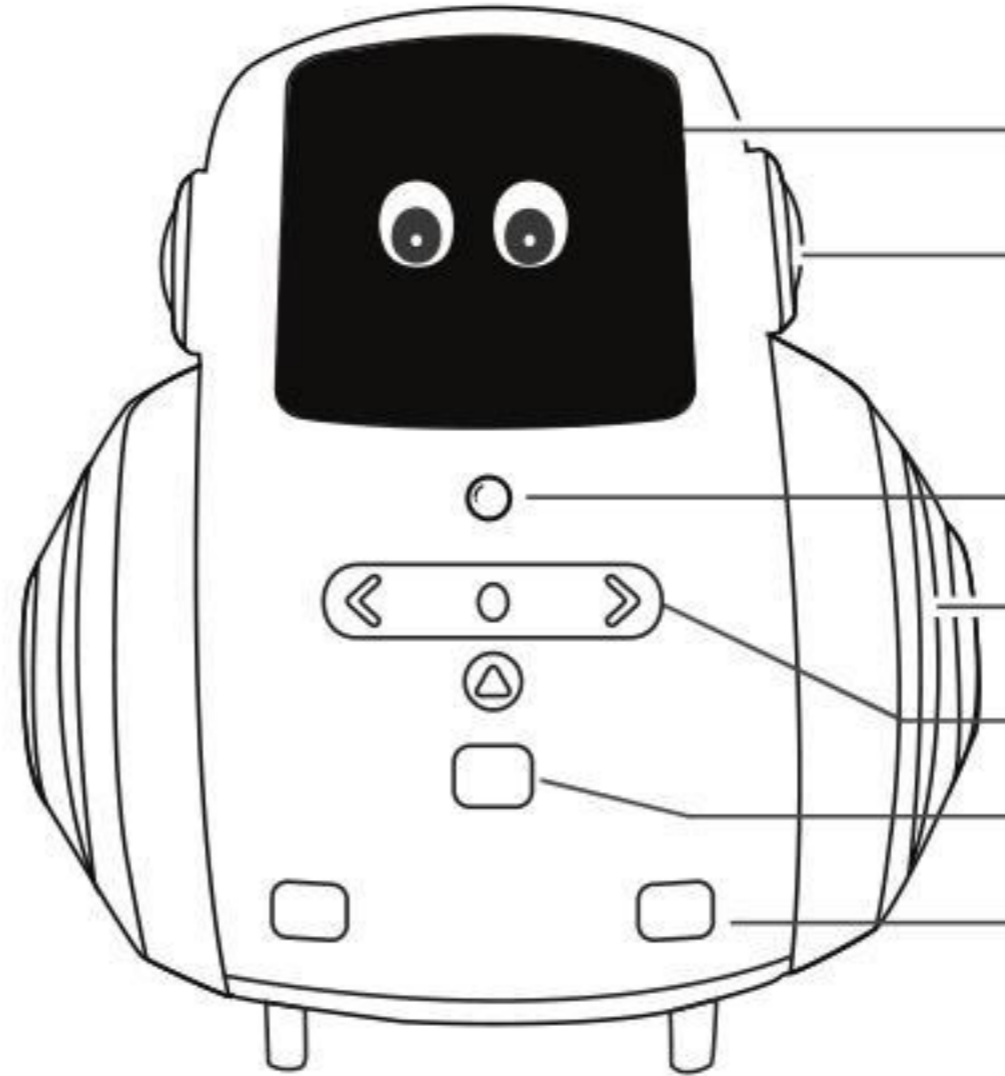
Batteries

The lithium ion batteries in Miko 2 can be hazardous if mishandled. Please see "Batteries" in the Miko 2 User Manual. Note that discarding Miko 2 and its batteries in your general household waste can be harmful to the environment. For further information on disposing of Miko 2, contact your local waste authority.

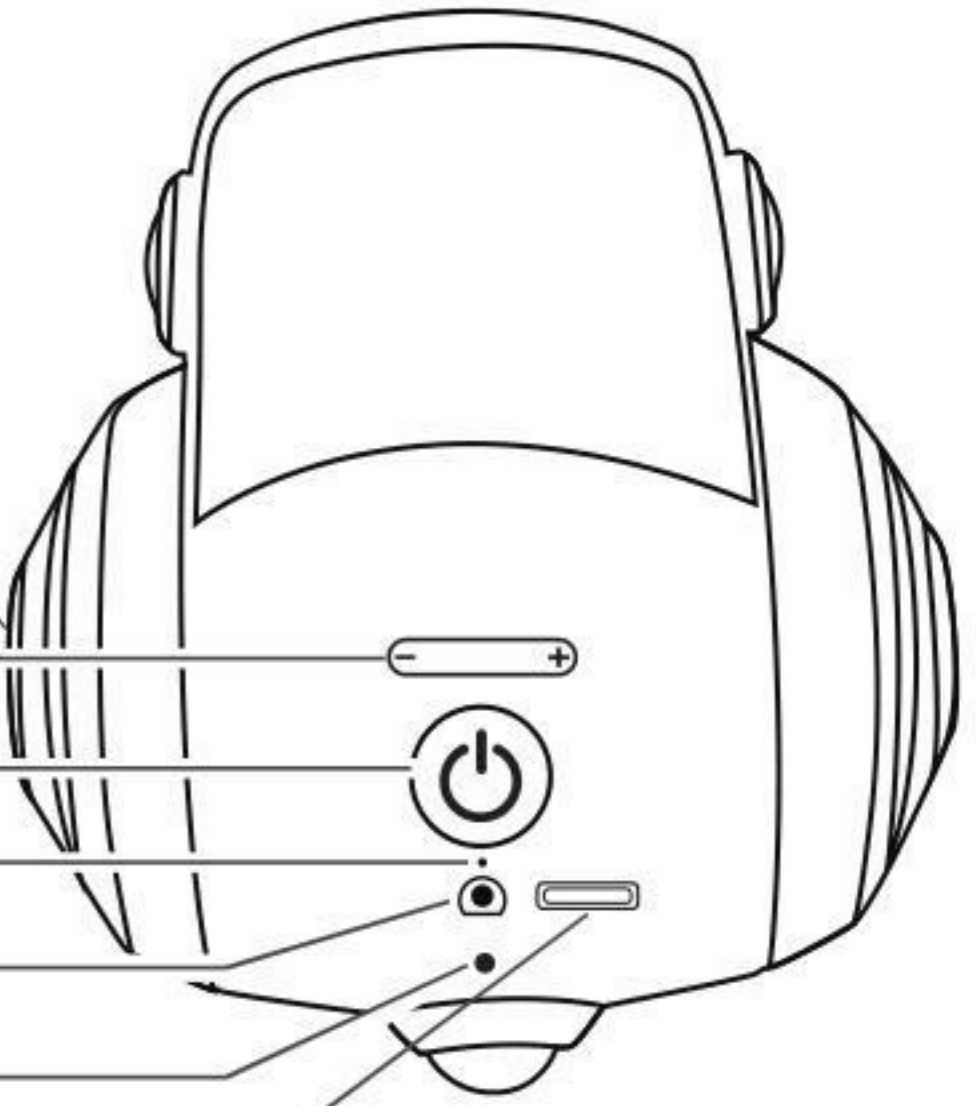
emotix One Year Limited Warranty Summary

This is Miko 2 product, as supplied and distributed by RN Chidakshi Technologies. Pvt. Ltd., and delivered new, in the original carton to the original customer purchaser, is warranted by RN Chidakshi Technologies. Pvt .Ltd. against manufacturing defects in materials and workmanship for a period of 1 year. Please note that Software distributed by emotix with or without the emotix brand is not covered by this warranty. Full terms can be found in the Miko 2 Warranty Policy: www.miko.ai/privacy-policy

Getting to know Miko 2



- Display Screen
- Ear Lights
- Camera
- Rim Lights
- Touch Panel
- Distance Sensor
- Edge Sensors

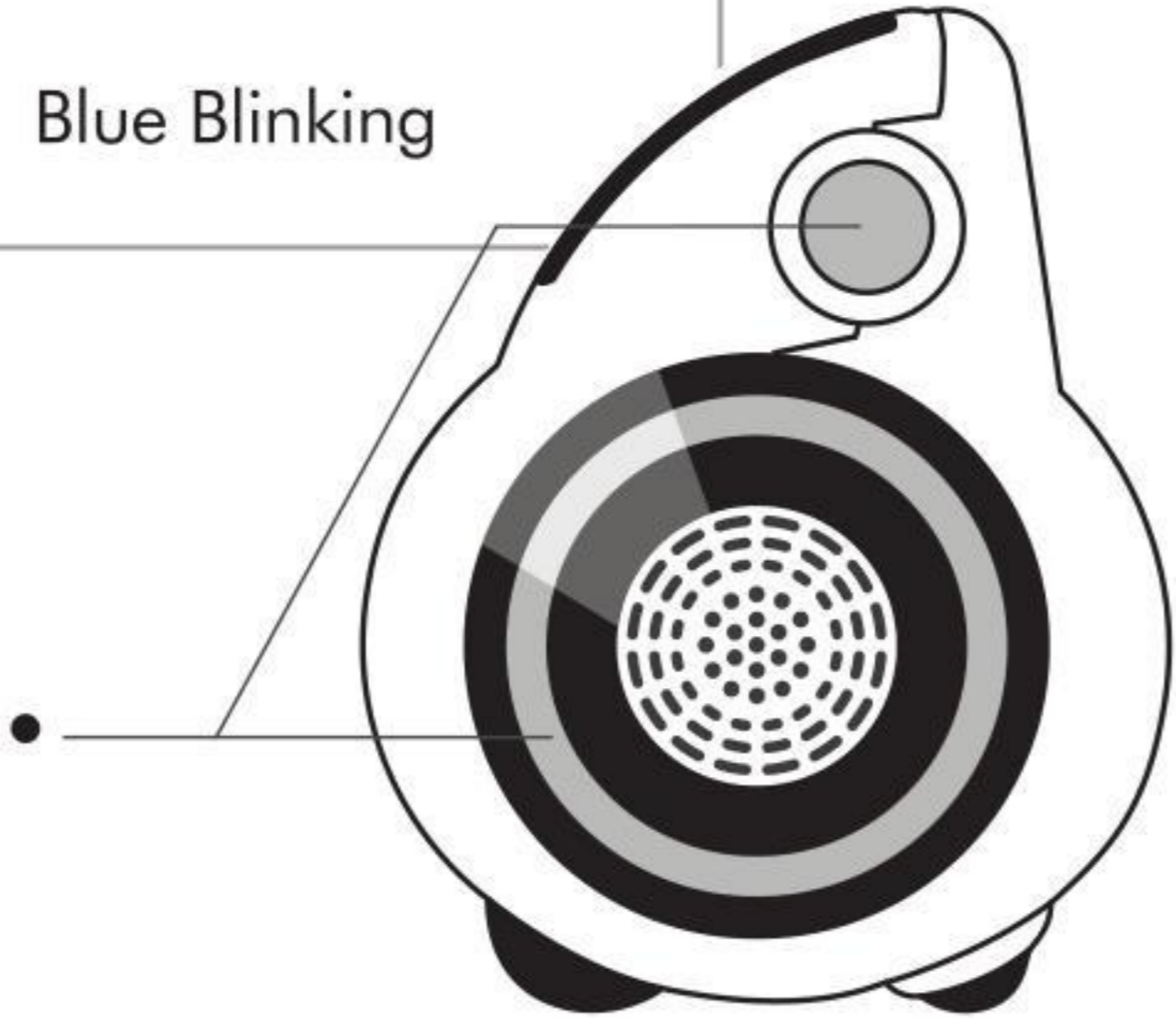


- Speakers
- Volume Control
- Power Button
- Charging Indicator
- Charging Port
- Reset Button
- Memory card slot

Light Indicators

Indicator	Light
● Not Connected	Yellow
● Connected successfully to Wifi	Blue
● Battery Low	Red
● Miko Listening	Green Rotating
● Miko Thinking	Blue Rotating
● Miko Talking	Blue Blinking

Light Indicators



Regulations



DISPOSAL INFORMATION

The symbol above means that according to local laws and regulations your product should be disposed of separately from household waste. When this product reaches its end of life, take it to a collection point designated by local authorities. Some collection points accept products for free. The separate collection and recycling of your product at the time of disposal will help conserve natural resources and ensure that it is recycled in a manner that protects human health and the environment. Keep these instructions for future reference as they contain important information.

Regulations

RADIO FREQUENCY BANDS AND POWER

MIKO2

WiFi frequency band: 2.4 GHz - 2.483 GHz (5 GHz not supported)

WiFi maximum transmitting power: mW

BLE frequency band: 2.4 GHz - 2.483 GHz

BLE maximum transmitting power: 1.045 mW

BT EDR frequency band: 2.4 GHz - 2.483 GHz

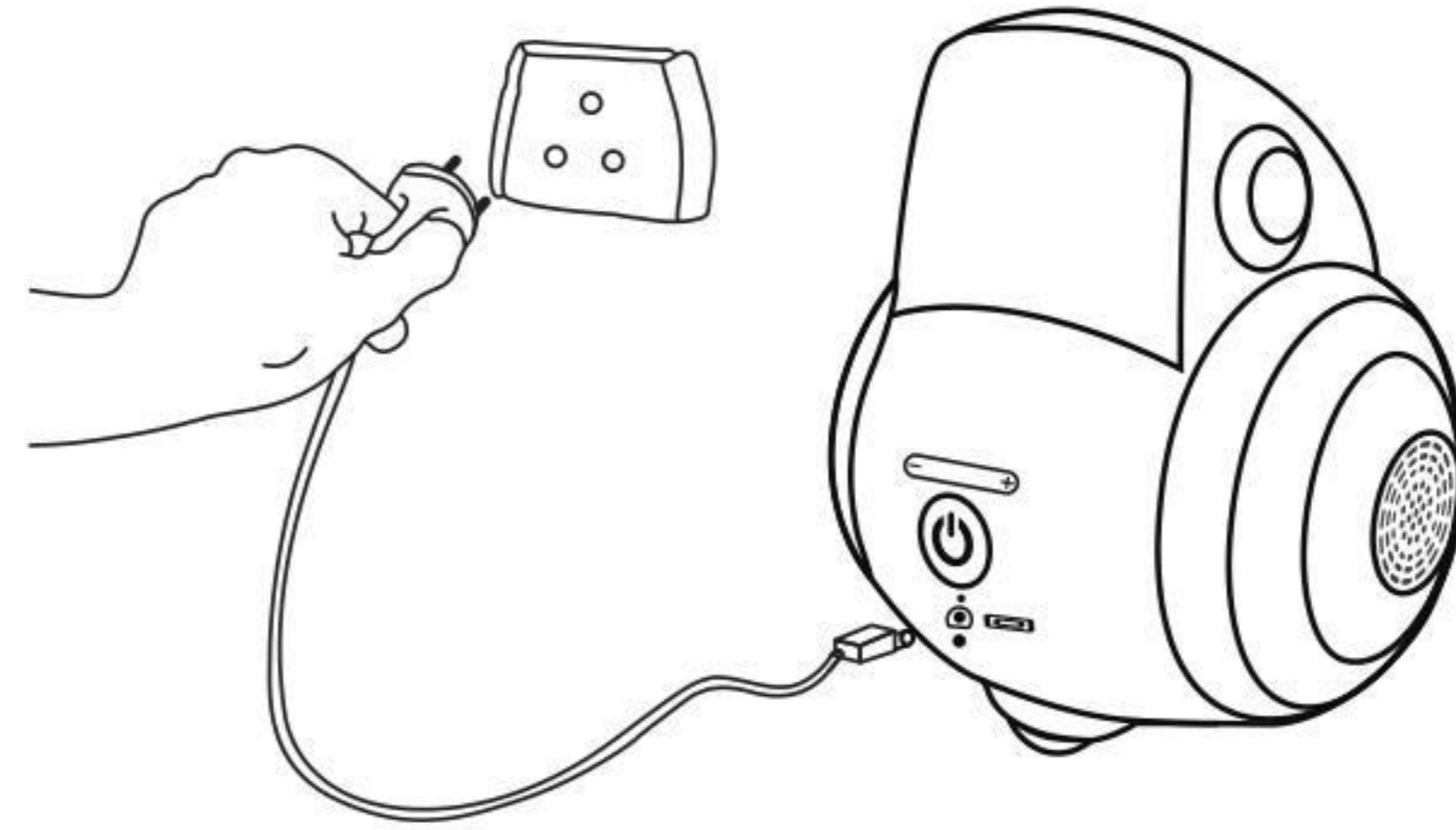
BLE maximum transmitting power: 5.14 mW

BATTERY INFORMATION

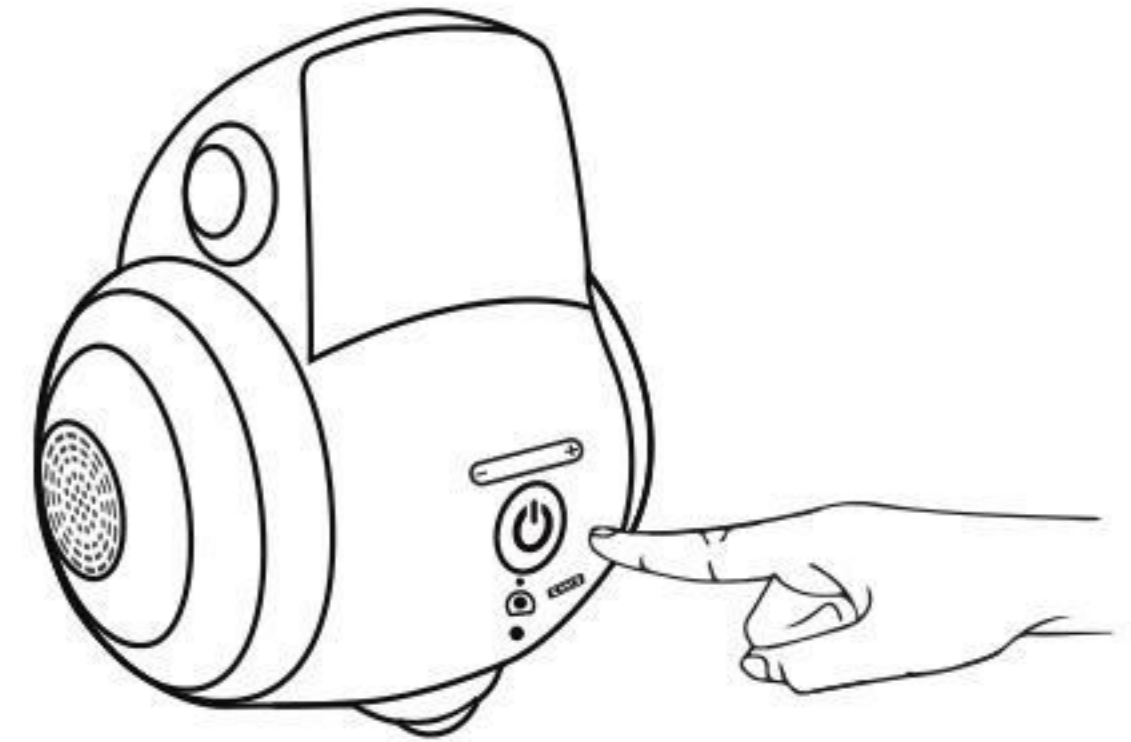
Each MIKO2 has a lithium ion battery, which should only be recharged using the included power adaptor. Attempting to remove the battery will void the warranty and may result in injury.

Protect the environment by not disposing of this product with household waste. Check your local authority for recycling advice and facilities. Disposal, recycling, and other environmental information related to Vector can be found online at: miko.ai/compliance.

Connect the charger to Miko 2 at the back.
Charging is complete when "Rim Lights" turn green.
Miko 2 fully charges in 1.5 hours.



Press the "Power" button for
3-4 secs to turn Miko 2 ON/OFF.



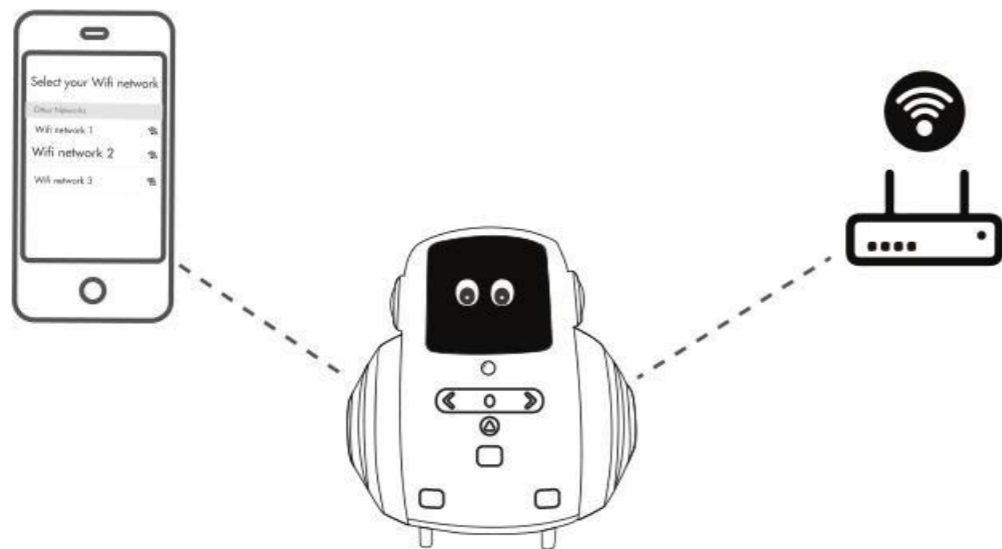
*Caution -- Do not put MIKO 2 for overnight charging.
This may reduce battery life of the product.*

Setting-up Miko 2

1. Download the 'Miko 2' app from the Playstore/Appstore.



2. Help Miko 2 with your Wi-fi details through the app.



3. Miko 2 is ready to engage with your child (Smartphone not required).

Regulations

By using MIKO2, you agree to the terms and policies found at miko.ai/terms including the emotix Privacy Policy.

CAUTION - ELECTRICALLY OPERATED PRODUCT: As with all electric products, precautions should be observed during handling and use to prevent electric shock.

CAUTION - Battery should only to be charged by adults.
WARNING: MIKO2 and accessories contain small parts, which can present a choking hazard to small children. Keep such parts away from small children.

WARNING: Class 1 Laser product. This class is eye-safe under all operating conditions.

A Class 1 laser is safe for use under all reasonably anticipated conditions of use; in other words, it is not expected that the maximum permissible exposure (MPE) can be exceeded.

WARNING: Long cable. Strangulation hazard.

Regulations

This device complies with Part 15 of the FCC Rules. Operation is subject to the following two conditions: (1) This device may not cause harmful interference, and (2) this device must accept any interference received, including interference that may cause undesired operation.

NOTE: This equipment has been tested and found to comply with the limits for a Class B digital device, pursuant to Part 15 of the FCC Rules. These limits are designed to provide reasonable protection against harmful interference in a residential installation. This equipment generates uses and can radiate radio frequency energy and, if not installed and used in accordance with the instructions, may cause harmful interference to radio communications. However, there is no guarantee that interference will not occur in a particular installation. If this equipment does cause harmful interference to radio or television reception, which can be determined by turning the equipment off and on, the user is encouraged to try to correct the interference by one of the following measures:

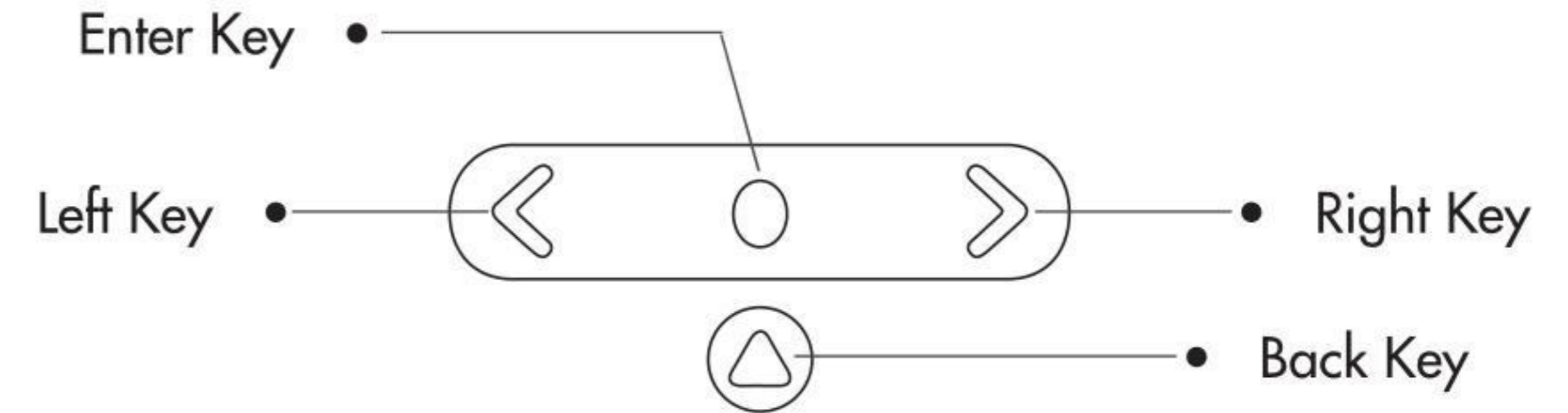
- Reorient or relocate the receiving antenna.
- Increase the separation between the equipment and receiver.
- Connect the equipment into an outlet on a circuit different from that to which the receiver is connected.
- Consult the dealer or an experienced radio/TV technician for help.

WARNING: Any changes or modifications not expressly approved by the party responsible for compliance could void the user's authority to operate this equipment.

The device must not be co-located or operating in conjunction with any other antenna or transmitter.

“FCC RF Radiation Exposure Statement Caution: To maintain compliance with the FCC’s RF exposure guidelines, place the product at least 20cm from nearby persons.”

Touch Pads



Now you can also navigate through features of Miko 2 using the Touch Pads.

How do I access various features of Miko 2?

If Miko is sleeping, touch any key on the Touch Pads to wake it up.
Single Tap on the Enter Key to access the apps and features on your Miko.

How do I navigate through the apps?

Tap on the Enter Key to further open an app.
Tap on the Left/Right Keys to scroll through the apps.
Long press Left/Right Keys to scroll fast.
To go back to the previous menu, tap on the Back Key.
To return to the Miko’s face, long press Back Key.
If you are on the App Screen, tap the Back Key to go back to Miko’s face.

How do I speak to Miko using the Touch Pads?

Long press Enter Key to enable the listening mode.
Touch any key on the panel when Miko is listening to disable the listening mode.
If Miko is talking, tap any key on the Touch Pads to stop the talking mode.

Miko 2 App



Miko 2 App is a parental dashboard that will help you to

- Setup your Miko 2
- Customize yours and your child's profile
- Get alerts about your child's interactions with Miko 2
- Introduce your child to new games and skills and track progress
- Become Miko's pilot to connect anytime with your child

Play with Miko 2



Miko's Crorepati



Miko's Storytime



Miko's Codemaster



Miko's Robot reactor

Miko 2 makes learning fun with loads of games! Become a quiz maverick, a supercoder, listen to stories. Play challenging games and have lots of fun.

Do's & Don'ts

Do's

- ✔ Always keep Miko 2 in sight at all times during operation to avoid damage and/or harm to property.
- ✔ For optimal performance use Miko 2 on hard flat surfaces.
- ✔ For optimal play experience keep Miko 2 fully charged at all times.
- ✔ Keep Miko 2 connected to a stable internet connection at all times.
- ✔ Only use authorised Miko 2 charger for charging of Miko 2.

Don'ts

- ✘ Avoid thick and soft carpets.
- ✘ Do not restrict wheel movement of Miko 2 when in motion.
- ✘ Do not place Miko 2 in rain or drizzles.
- ✘ Do not put small objects and/or liquids in any openings present on Miko 2.
- ✘ Miko 2 gets confused on glass and hence motion on glass and mirrors should be avoided

Key features of Miko 2

Miko is Educational:

Syllabus developed by acclaimed knowledge partners coupled with conversational learning.

Miko is Entertaining:

Moonwalk, songs, rhymes, dance, riddles, jokes and fun-facts.

Miko is Emotional:

Adaptive personality which intuitively understands and responds to the child's moods.

Miko is safe:

Complete peace of mind with child-safe design, age-appropriate content and strict privacy norms.

Enhanced Parental Dashboard:

Track and guide how your child spends time with Miko 2.

Miko's Pilot:

Video-call your child through Miko and be present from wherever you want, whenever you want!

To know more about how to use these features, visit www.miko.ai/manuals

Commands to ask Miko 2

To start the conversation here are few set of commands to ask Miko 2!

More laughter and more facts means more fun for everyone!

Ask Miko 2 for jokes or fun facts:

Can you tell me a joke?

Please tell me a fun fact?

Miko 2 sings and dances on various songs and nursery rhymes for your child.

Ask Miko 2 to play songs or dance:

Play a song.

Please dance for me.

Miko 2's vast knowledge will allow your child to explore a broad range of facts about various subjects.

Ask Miko 2 for General knowledge:

How tall is the Eiffel tower?

Who was the first person to walk on the moon?

Miko 2 has all the brains to remind and help your child plan his daily routine.

Ask Miko 2 to set a reminder:

Set an alarm for 7 am.

Set a reminder to play football at 5 pm.

Colours are fascinating, enjoy watching Miko 2 change its rim light colours.

Ask Miko 2 to change light colours:

Turn red.

Turn pink.

Let your child have an amazing time watching Miko 2 move around.

Ask Miko 2 to move:

Move front.

Make an Octagon.

Maths is exciting! Tell Miko to do maths calculations and get the answer.

Ask Miko 2 to do math calculations:

What is 10 plus 5?

Tell multiplication tables for 25.

When the meaning and definitions are not clear! There is nothing to fear!

Ask Miko 2 for definitions:

Define Onomatopoeia.

Tell me the Definition of Ecosystem.

Let your child also be well informed about what's going on around the world.

Ask Miko 2 for the latest news:

Give me some news update.

Tell me the news.

If your child is unaware of any spelling Miko 2 can spell that word for them.

Ask Miko 2 to spell :

Can you spell 'astronaut'?

What is the spelling of 'grammar'?

For more such commands, you can always sneak a peek and refer our blog:

<http://miko.ai/commandlist>