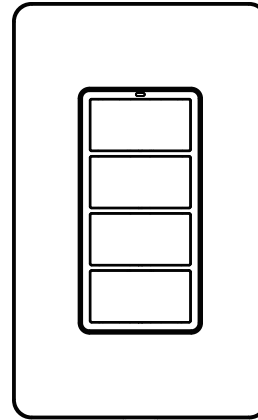




# WWD2-4SM

Daintree® Networked  
Wireless Wall Dimmer



## BEFORE YOU BEGIN

Read these instructions completely and carefully.  
Save these instructions for future use.

### ⚠ WARNING / AVERTISSEMENT

#### RISK OF ELECTRIC SHOCK

- Disconnect power before service installation, or maintenance of the product.

#### RISK OF FIRE

- Follow all relevant IEC or UL instructions and local building codes.

#### RISK OF INJURY

- Wear safety glasses and gloves during installation and servicing.

## FCC / IC COMPLIANCE STATEMENTS

This device contains licence-exempt transmitter(s)/receiver(s) that comply with Innovation, Science and Economic Development Canada's licence-exempt RSS(s). Operation is subject to the following two conditions:

- This device may not cause interference.
- This device must accept any interference, including interference that may cause undesired operation of the device.

L'émetteur/récepteur exempt de licence contenu dans le présent appareil est conforme aux CNR d'Innovation, Sciences et Développement économique Canada applicables aux appareils radio exempts de licence. L'exploitation est autorisée aux deux conditions suivantes :

- L'appareil ne doit pas produire de brouillage;
- L'appareil doit accepter tout brouillage radioélectrique subi, même si le brouillage est susceptible d'en compromettre le fonctionnement.

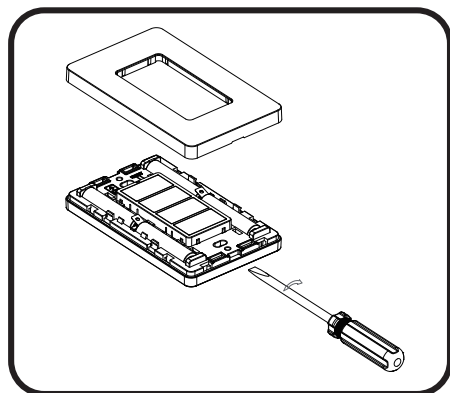
## IMPORTANT

To ensure the product warranty is valid, please ensure all installation instructions and environmental conditions for storage and operation are complied with. Installation to be performed by factory trained or qualified personnel.

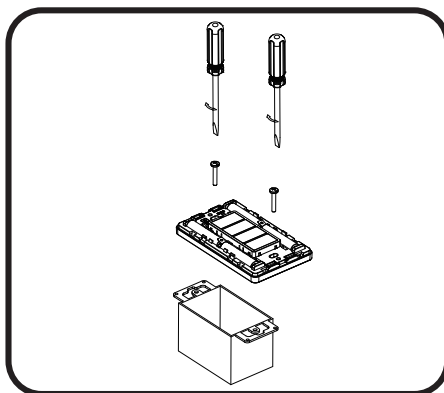
## Save These Instructions

Use only in the manner intended by the manufacturer. If you have any questions, contact the manufacturer.

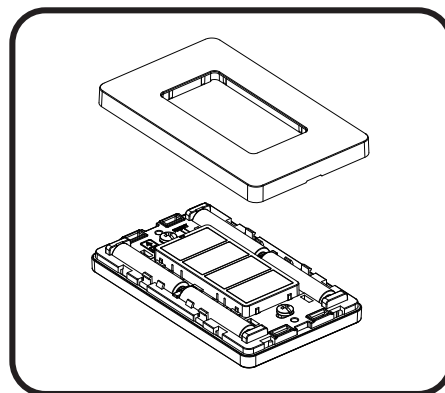
## Installation



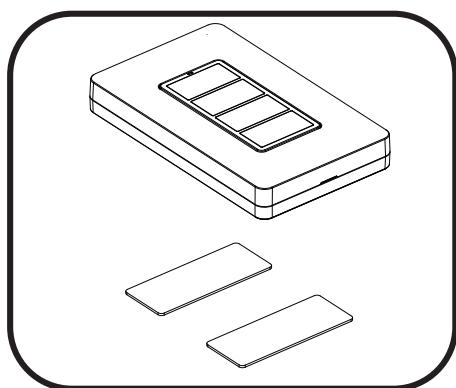
- 1 Use a standard screwdriver to open the faceplate. Pull the plastic insulation strip out of the battery compartment.



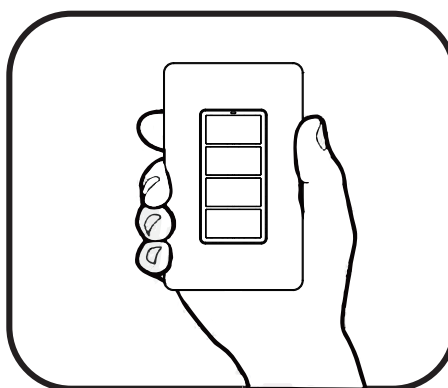
- 2 If you want to install on the junction box, use the screw in the package and a cross screwdriver to lock the device on the junction box



- 3 Install the faceplate onto the device. Note: Device supports the use of other standard faceplates on the market.

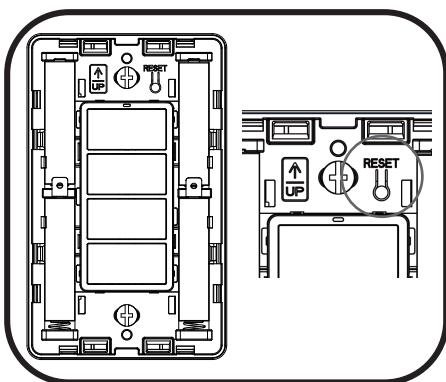


- 4 If you want to install the device on the wall, use the 3M tape in the package to stick the device firmly on the wall.



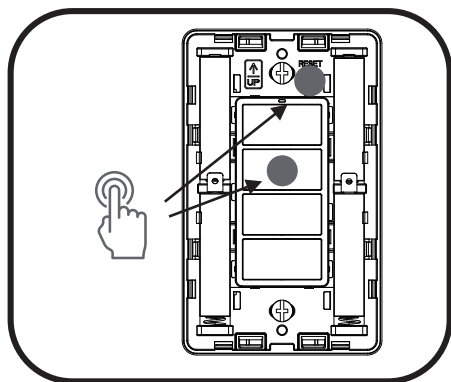
- 5 You can also handheld use the device in the CSM signal cover area.

## Network Reset

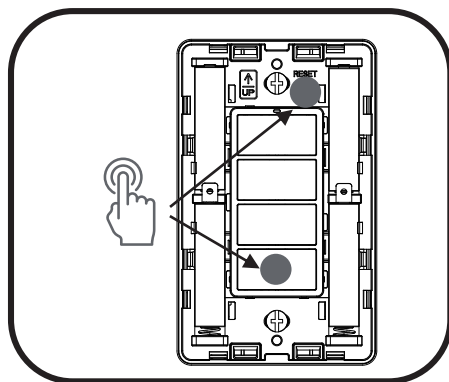


To reset the network of the device, remove the faceplate from the device. Then press and hold the reset button for 5 seconds. Install the faceplate back onto the device. Press either dimming up or down button to enter the pairing mode to join the device to a network.

## Personality Change

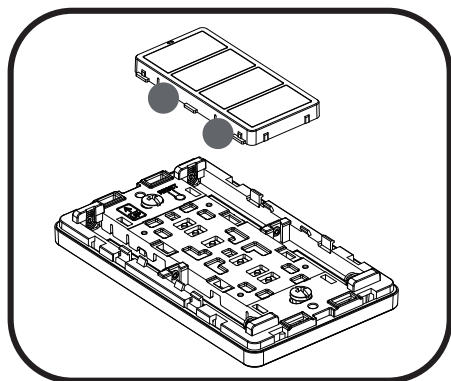


1 Hold the reset button and 2nd button for 5sec to change the personality to dual zone mode.

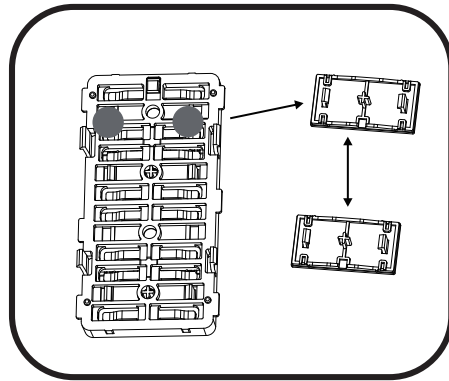


2 Hold the reset button and 4st button for 5sec to change the personality to scene mode.

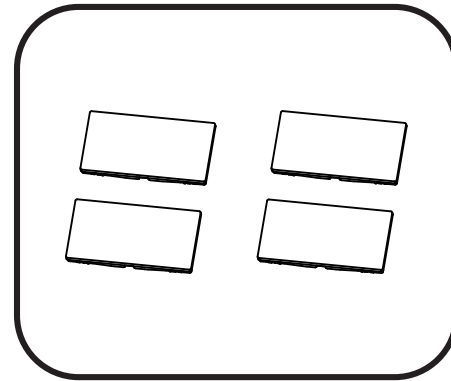
## Button Change



1 Take off the button module from the devices.

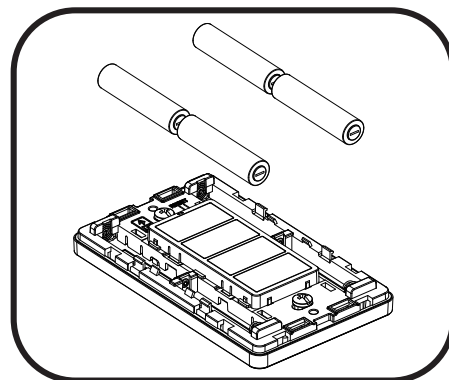
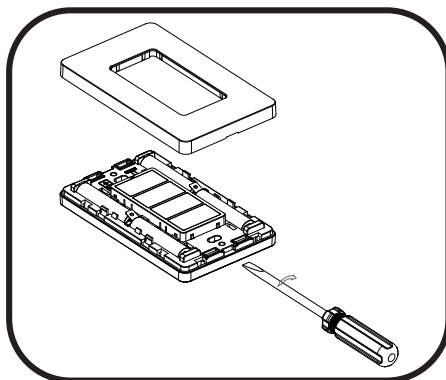
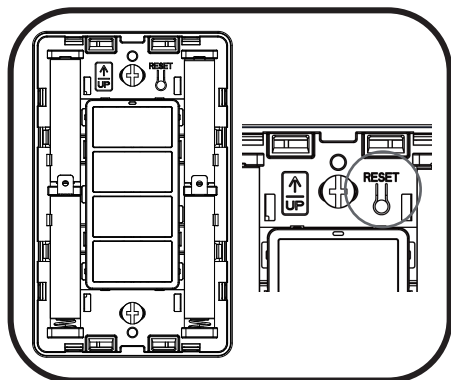


2 Take off the single button and replace another one you want.



3 Psl contact your agent if you want to customize the button.

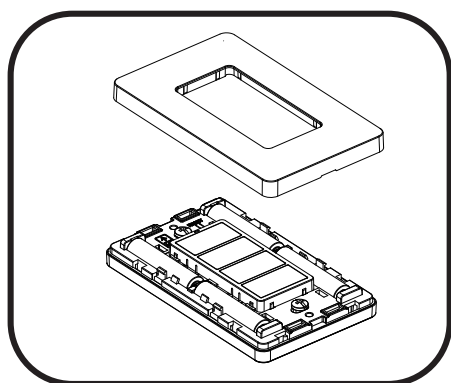
## Battery Replacement



1 The device's LED flashing every 30 seconds indicates that the batteries need to be replaced.

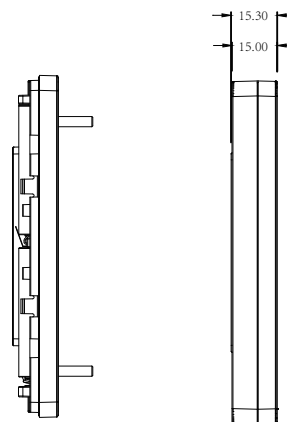
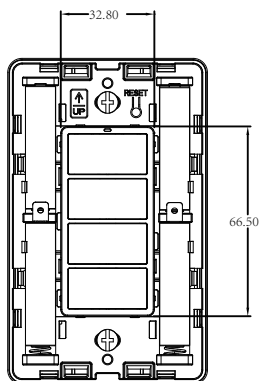
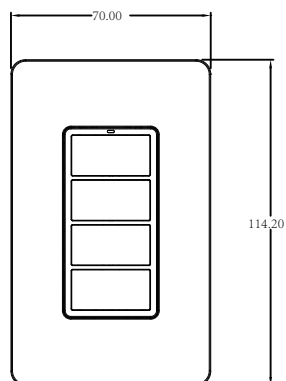
2 Use a standard screwdriver to open the faceplate.

3 Separate the battery cover from the device. Replace the batteries with AAA batteries. All batteries need to be replaced at the same time.



4 Install the faceplate onto the device.

## Product Dimensions



## Product Overview

## Technical Data

### Product Specifications

<b>Dimensions</b>	114mm H x 70mm W x 15mm D
<b>Weight</b>	130g
<b>Power Supply</b>	(4) AAA1.5V battery
<b>battery life</b>	5yr (normal operation)
<b>Operating Environment</b>	-10°C to 40°C (Indoor Use Only)
<b>Status indicator</b>	Network joined/Button triggered
<b>Mounting</b>	Surface mounted, screw hole in backplate, cover could be removed, handheld
<b>Warranty</b>	5 years

### Product Availability

SKU	DESCRIPTION	ARTICLE NO
93141336	Daintree® Networked Wireless Wall Dimmer	WWD2-4SM

### Product Certifications



Caution: The user is cautioned that changes or modifications not expressly approved by the party responsible for compliance could void the user's authority to operate the equipment.

Note: This equipment has been tested and found to comply with the limits for a Class B digital device, pursuant to part 15 of the FCC Rules. These limits are designed to provide reasonable protection against harmful interference in a residential installation. This equipment generates uses and can radiate radio frequency energy and, if not installed and used in accordance with the instructions, may cause harmful interference to radio communications. However, there is no guarantee that interference will not occur in a particular installation. If this equipment does cause harmful interference to radio or television reception, which can be determined by turning the equipment off and on, the user is encouraged to try to correct the interference by one or more of the following measures:

- Reorient or relocate the receiving antenna.
- Increase the separation between the equipment and receiver.
- Connect the equipment into an outlet on a circuit different from that to which the receiver is connected.
- Consult the dealer or an experienced radio/TV technician for help

## Supplier's Declaration of Conformity

### 47 CFR § 2.1077 Compliance Information

This device complies with Part 15 of the FCC Rules. Operation is subject to the following two conditions: (1) This device may not cause harmful interference, and (2) this device must accept any interference received, including interference that may cause undesired operation.

Product Name: Wireless Wall Dimmer

Model No: WWD2-4SM

Suppliers Name: Current Lighting Solutions, LLC

Suppliers Address (USA): 1975 Noble Road, East Cleveland, OH 44112

Suppliers phone number and / or internet contact information: 1-866-855-8629