

6

Legal Information

FCC Information

This device complies with Part 15 of the FCC Rules.

Caution: Any changes or modifications not expressly approved could void the user's authority to operate the equipment.

Note: This equipment has been tested and found to comply with the limits for a Class B digital device, pursuant to part 15 of the FCC Rules. These limits are designed to provide reasonable protection against harmful interference in a residential installation. This equipment generates, uses and can radiate radio frequency energy and, if not installed and used in accordance with the instructions, may cause harmful interference to radio communications. However, there is no guarantee that interference will not occur in a particular installation. If this equipment does cause harmful interference to radio or television reception, which can be determined by turning the equipment off and on, the user is encouraged to try to correct the interference by one or more of the following measures:

- Reorient or relocate the receiving antenna.
- Increase the separation between the equipment and receiver.
- Connect the equipment into an outlet on a circuit different from that to which the receiver is connected.
- Consult the dealer or an experienced radio/TV technician for help.

Radiation Exposure Information

This device has been evaluated to meet general RF exposure requirements. The device can be used in portable exposure conditions without restriction.

Rating Label Definitions

--- Direct current symbol.



Bluetooth This symbol signifies that this is a wireless device powered by Bluetooth® technology. The Bluetooth® word mark and logos are registered trademarks owned by Bluetooth SIG, Inc. and used under license.

7

Limited Warranty

Territory: United States/Canada

LIMITED WARRANTY TO ORIGINAL CONSUMER

This product (including any accessories included in the original packaging) as supplied and distributed new by an authorized retailer is warranted by Southern Telecom, Inc. to the original consumer purchaser against defects in materials and workmanship ("Warranty") as follows:

To obtain warranty service:

- Visit our website at www.southerntelecom.com
- Click on **Product Support**
- Select the **Brand** of your device
- Select **Service Request** and fill out the form to begin your inquiry

Your product will be repaired or replaced, at our option, for the same or similar model of equal value if examination by the service center determines this product is defective. Products received damaged as a result of shipping will require you to file a claim with the carrier.

Warranty service not provided

This warranty does not cover damage resulting from accident, misuse, abuse, improper installation or operation, lack of reasonable care, unauthorized modification including software modifications such as the installation of custom firmware. This warranty is voided in the event any unauthorized person opens, alters or repairs this product. All products being returned to the authorized service center for repair must be suitably packaged.

NO WARRANTIES, WHETHER EXPRESS OR IMPLIED, INCLUDING, BUT NOT LIMITED TO, ANY IMPLIED WARRANTIES OF MERCHANTABILITY OR FITNESS FOR A PARTICULAR PURPOSE, OTHER THAN THOSE EXPRESSLY DESCRIBED ABOVE SHALL APPLY. DISTRIBUTOR FURTHER DISCLAIMS ALL WARRANTIES AFTER THE EXPRESS WARRANTY PERIOD STATED ABOVE. NO OTHER EXPRESS WARRANTY OR GUARANTEE GIVEN BY ANY PERSON, FIRM OR ENTITY WITH RESPECT TO THE PRODUCT SHALL BE BINDING ON DISTRIBUTOR. REPAIR, REPLACEMENT, OR REFUND OF THE ORIGINAL PURCHASE PRICE - AT DISTRIBUTOR'S SOLE DISCRETION - ARE THE EXCLUSIVE REMEDIES OF THE CONSUMER. IN NO EVENT WILL DISTRIBUTOR OR ITS MANUFACTURERS BE LIABLE FOR ANY INCIDENTAL, DIRECT, INDIRECT, SPECIAL, PUNITIVE OR CONSEQUENTIAL DAMAGES (SUCH AS, BUT NOT LIMITED TO, DAMAGES FOR LOSS OF PROFITS, BUSINESS, SAVINGS, DATA OR RECORDS) CAUSED BY THE USE, MISUSE OR INABILITY TO USE THE PRODUCT. EXCEPT AS STATED HEREIN, NO OTHER WARRANTIES SHALL APPLY. NOTWITHSTANDING THE FOREGOING, CONSUMER'S RECOVERY AGAINST DISTRIBUTOR SHALL NOT EXCEED THE PURCHASE PRICE OF THE PRODUCT SOLD BY DISTRIBUTOR. THIS WARRANTY SHALL NOT EXTEND TO ANYONE OTHER THAN THE ORIGINAL CONSUMER WHO PURCHASED THE PRODUCT AND IS NOT TRANSFERABLE.

Some countries, states or provinces do not allow the exclusion or limitation of incidental or consequential damages or allow limitations on warranties, so limitation or exclusions may not apply to you. This warranty gives you specific legal rights, and you may have other rights that vary from state to state or province to province. Contact your authorized retailer to determine if another warranty applies.

©WESTINGHOUSE, and INNOVATION YOU CAN BE SURE OF are trademarks of Westinghouse Electric Corporation. Used under license by Southern Telecom, Co. All Rights Reserved.

Printed in China
Designed in the USA
v1. 07-2019



Westinghouse



Westinghouse

37" Soundbar with Wireless Subwoofer



Instruction Manual
WST3760

1

Before You Begin...

Questions & Customer Support

For any issues concerning this product, please visit our website at SouthernTelecom.com and click on [Product Support](#) or call at (877) 768-8481 (Mon-Fri, 8am-10pm EST).

Caution

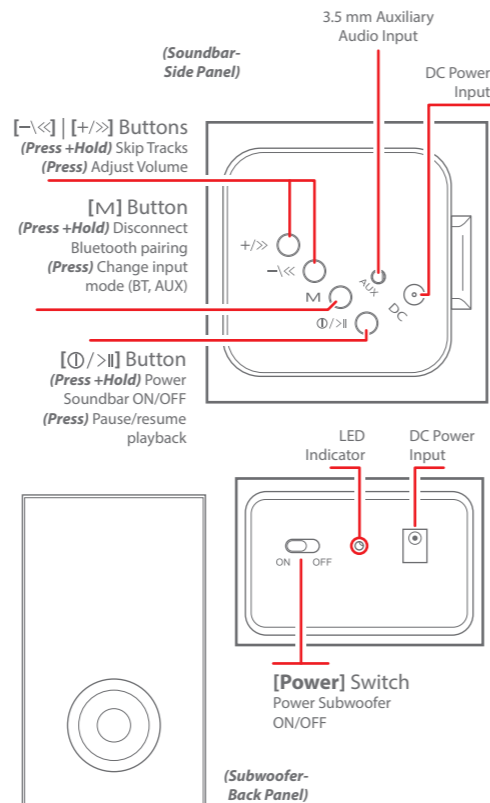
- **READ THIS MANUAL AND SAVE FOR FUTURE REFERENCE**
- THIS IS NOT A TOY, **please keep away from children**
- Do NOT submerge in water
- Keep away from extreme heat and/or humidity
- Do not open this product or attempt to repair the unit yourself should it not be working.
- Low power may cause poor Bluetooth connection or sound distortion
- Only power this device with its supplied power adapter

In the Box

- WST3760 - Wireless Soundbar (x1)
- Wireless Subwoofer (x1)
- Power Adapter (x2)
- AUX-RCA Audio Cable (x1)
- Instruction Manual (x1)

2

Location of Controls

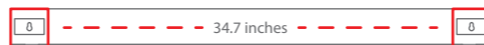


3

Getting Started

Wall Mounting the Soundbar

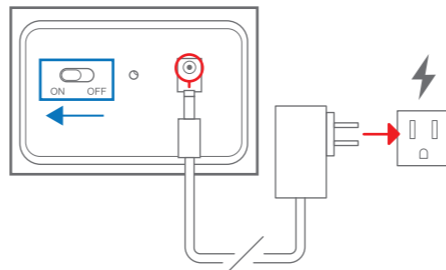
1. Remove the speaker and its contents from packaging.
2. Using a pencil, mark two spots on a wall measuring 34.7 inches apart.
3. If installing to a wooden surface, drive or drill a mounting screw into the wall at each marked location. If installing to drywall or a brick surface, you may need to install plastic anchors to properly secure the mounting screws.
4. Place and hang the speaker from its mounting holes on the back onto the installed mounting screws.



Powering the Soundbar and Subwoofer

Insert the pin of one of the supplied power adapters into the DC power input on the side of the soundbar. Plug the adapter into an electrical outlet.

Insert the pin of the other supplied power adapter into the DC power input on the back of the subwoofer. Plug the adapter into an electrical outlet.



Slide the [Power] switch on the back of the subwoofer to the ON position. When powered on the subwoofer and soundbar will automatically connect to each other.

4

Powering ON/OFF

- After plugging in the adapter, the LED indicator on the front of the speaker will **turn RED** indicating that the speaker can be powered ON.
- Press and hold the [⓪/>|] button on the speaker to power ON. A tone will be heard and the speaker will automatically enter Bluetooth pairing mode. The speaker will automatically re-pair to any nearby, previously-paired devices that have Bluetooth enabled.
- Press and hold the [⓪/>|] button again to power OFF.

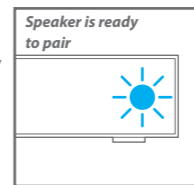
Changing Input Modes

- Press the [M] button to change between Bluetooth mode and 3.5 mm AUX, audio inputs.

Note: When plugging in a 3.5 mm to the speaker, the speaker will automatically switch to AUX mode.

Bluetooth Pairing

1. Power the speaker ON. A tone will be heard and the LED indicator will **quickly flash BLUE**.
2. Set your mobile device to search for Bluetooth devices. When it appears, select **WST3760** from the list of found devices.
3. After a successful pairing, a tone will be heard and the LED indicator will turn **solid BLUE**.



Using the 3.5 mm AUX Input

To use the speaker as a wired device, insert the 3.5 mm connector of the supplied AUX cable into the 3.5 mm auxiliary audio input jack. Insert the RCA connectors into the audio outputs of your media-playing device.

Note: Typically, RCA connectors are color-coded with Red being for the right audio channel and white being for the left audio channel.

The LED indicator will **turn GREEN** when the AUX input is in use. While connected, playback is controlled via the connected device. Volume can be controlled with the speaker, remote control or the connected device.

5

Playing Music

To enjoy music on your speaker, make sure that the speaker is properly paired to your Bluetooth-enabled device or connected via the 3.5 mm auxiliary input jack.

While playing music the subwoofer's LED indicator will turn **solid BLUE**, the soundbar's LED indicator will **flash BLUE**.

Controlling Playback & Volume (Bluetooth Only)

- Press the [⓪/>|] button to pause/resume media playback.
- Press the [-\<<] and [+>>] buttons to skip tracks.
- Press and hold the [-\<<] and [+>>] buttons to adjust volume.
- Press and hold the [M] button to disconnect any Bluetooth pairing.

Using the Remote Control

- [⓪] Button: Enter/leave standby mode
- [MODE] Button: Change input mode
- [MUTE] Button: Mute/unmute volume
- [PREV] Button: Skip to previous track
- [PLAY] Button: Pause/resume playback
- [NEXT] Button: Skip to next track
- [-] Button: Decrease volume
- [RESET] Button: Reset to default volume
- [+] Button: Increase volume

