

USER MANUAL

Model: MC1

SAFETY WARNING

IMPORTANT SAFETY INSTRUCTIONS FOR HOME USE ONLY

Basic precautions should always be observed when using any electrical equipment, including the following:


WARNING: READ ALL SAFETY INSTRUCTIONS AND THE ENTIRE MANUAL. Failure to heed the warnings and instructions may result in electric shock, fire, or serious injuries. Please read all instructions before using this robot.

WARNING:

- This robot is intended for children 8 years of age and older. People with reduced physical, sensory, or intellectual abilities, or those who lack experience and knowledge, should be supervised or instructed in safely using the robot; they must also be aware of possible hazards. Children should not play with this robot. Cleaning and user maintenance should not be performed by children without supervision.
- The robot must be used in accordance with the instructions in this manual. The company is not responsible for any damage or injury caused by improper use.

To reduce the risk of injury or damage, please observe the following safety precautions when installing, using and maintaining the robot:

- Please read all instructions regarding safety and operation before using the robot.
- Keep the safety and user manual for future reference. If you accidentally lose the manual, you may visit the official website to download the electronic version. (<https://www.ultenic.com>).
- Heed all warnings on the robot, battery, charging station, and user manual.

 Follow all operating and usage instructions.

The product's labels or packaging indicate that: Do not dispose of the electrical appliances as unsorted waste or, use a separate waste collector.

Contact your local authority for information on the appropriate disposal method. If electrical appliances are discarded in landfills, hazardous substances can leach into groundwater, enter the food chain, and damage people's health. Contact your local or regional waste management agency for more information on their recycling and reuse programs.

RESTRICTIONS

- This robot is for indoor use only. Do not use it outside, or in commercial and industrial environments.
- Before using the robot, remove fragile items such as clothing, loose-leaf paper, rope or curtains, and power cords from the floor. The robot may snag onto an object, table, or shelf if it gets stuck on a cable.
- This robot is not a toy. Do not sit or stand on this robot. Children and pets should be supervised while the robot is operating.
- Store and operate the robot at room temperature.
- Do not use this robot to clean anything that is burning or smoking.
- Do not use the robot to clean bleach, paint, or other chemicals, or anything wet.
- If the cleaning area involves a balcony, a physical barrier should be set up to prevent the robot from accessing the balcony and ensure it operates safely.
- People (including children) with reduced physical, sensory, or intellectual abilities, or those who lack experience and knowledge, should be supervised or instructed in safely using the robot.

- **Children should be supervised to ensure they do not play with the robot. Further, cleaning and maintenance must not be performed without adult supervision.**
- Do not place anything on the robot.
- Please note the robot will move on its own. Try to be careful when walking in the operating area to avoid stepping on it.
- Do not operate the robot in an area where a ground power outlet is exposed.

BATTERY AND CHARGING

- Only use rechargeable battery packs with specifications approved by our company.
 - Use the standard complimentary charging station for charging. This product must not be used with any type of power adapter; the use of other power adapters will immediately void the warranty.
 - Do not use a charging station with a damaged power cord or plug. If the power cord or plug is damaged, it must be repaired by the manufacturer or a similarly qualified party.
 - Ensure to charge and remove the batteries in the robot and accessories before long-term storage or transportation.
 - The remote control battery type is AAA alkaline battery.
 - To replace the remote control's batteries, slide the battery cover on the back of the remote control open, remove the battery cover, and replace the batteries.
 - Charge the robot indoors only.
 - Your robot's charging station may be protected by a surge protector to prevent power surges.
 - Do not operate the charging station with wet hands.
 - Before cleaning or maintaining the robot, the plug must be removed from the socket.
- Ensure the voltage rating of the enclosed charging station matches the voltage of the standard outlet.
 - Used battery packs should be placed in a sealed plastic bag and disposed of safely in accordance with local environmental regulations.
 - Before each use, inspect the battery pack for signs of damage or leakage. Do not charge damaged or leaking battery packs.
 - If the battery pack leaks, please contact Customer Service.
 - The battery pack must be removed from the robot before disposal.
 - Do not crush or disassemble the battery pack. Do not apply heat to the battery pack or place it near any heat source.
 - Do not incinerate the battery pack. Do not short-circuit the battery pack.
 - Do not immerse the battery pack in any liquid.
 - Do not crush or disassemble the robot.

FCC Warning

This device complies with part 15 of the FCC Rules. Operation is subject to the following two conditions: (1) This device may not cause harmful interference, and (2) this device must accept any interference received, including interference that may cause undesired operation.

Any Changes or modifications not expressly approved by the party responsible for compliance could void the user's authority to operate the equipment.

Note: This equipment has been tested and found to comply with the limits for a Class B digital device, pursuant to part 15 of the FCC Rules. These limits are designed to provide reasonable protection against harmful interference in a residential installation. This equipment generates uses and can radiate radio frequency energy and, if not installed and used in accordance with the instructions, may cause harmful interference to radio communications. However, there is no guarantee that interference will not occur in a particular installation. If this equipment does cause harmful interference to radio or television reception, which can be determined by turning the equipment off and on, the user is encouraged to try to correct the interference by one or more of the following measures:

- Reorient or relocate the receiving antenna.
- Increase the separation between the equipment and receiver.
- Connect the equipment into an outlet on a circuit different from that to which the receiver is connected.
- Consult the dealer or an experienced radio/TV technician for help.

This equipment complies with FCC radiation exposure limits set forth for an uncontrolled environment. This equipment should be installed and operated with minimum distance 20cm between the radiator & your body.

IC Warning

This device complies with Industry Canada's licence-exempt RSS standard(s). Operation is subject to the following two conditions:

- (1) this device may not cause interference, and
- (2) this device must accept any interference, including interference that may cause undesired operation of the device.

Le présent appareil est conforme aux CNR d'Industrie Canada applicables aux appareils radio exempts de licence. L'exploitation est autorisée aux deux conditions suivantes:

- (1) l'appareil n' doit pas produire de brouillage, et
- (2) l'utilisateur de l'appareil doit accepter tout brouillage radioélectrique subi, même si le brouillage est susceptible d'en compromettre le fonctionnement.

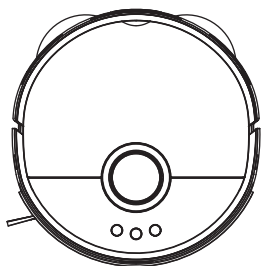
This Class B digital apparatus complies with Canadian ICES-003.

Cet appareil numérique de la classe B est conforme à la norme NMB-003 du Canada.

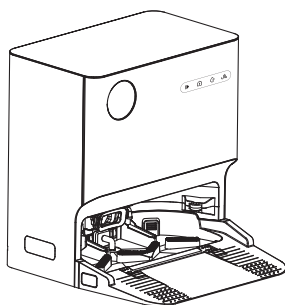
IC RF Statement:

When using the product, maintain a distance of 20cm from the body to ensure compliance with RF exposure requirements.

INSIDE THE BOX



Robot Vacuum



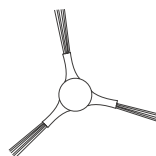
Charging Station



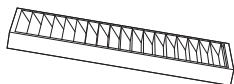
Mop



Rag Bracket



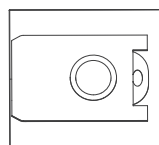
Side Brush



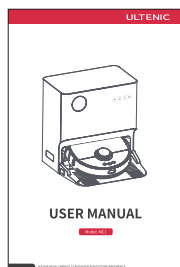
HEPA Filter



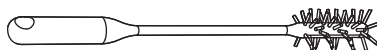
Cleaning Brush



Dust Bag



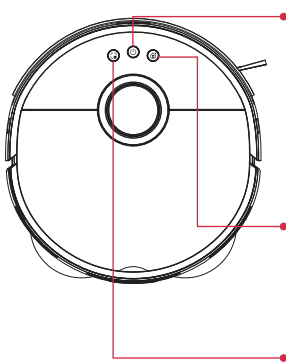
User Manual



Cleaning Brush

PRODUCT DESCRIPTION

Robot Indicator Lights



Power Button

- Press and hold the button for 3s to turn on/off.
- Press the button to start/pause cleaning.

Blue light breathing: in the distribution network

Blue light is always on: standby/normal working status

Red light blinking: alarm

Recharge Button

- Press the button to return the robot to the charging station
- Steady orange light: low battery

Area Cleaning button

- Press the Area Cleaning and automatically recharge after cleaning
- **Steady blue light:** standby/normal working state

Network Configuration

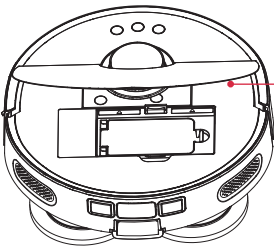
Press and hold the "Power" and "Recharge" buttons at the same time for 5s to enter network configuration mode.

Initialization:

Press the "Power", "Recharge" and "Area Cleaning" for 5s, and the robot will return to factory settings.

Match the robot with the base station:

The machine needs to press and hold "Power" + "Area Cleaning" for 5S, and the base station needs to press and hold "▶ + ⏪" for 5S, the matching time is 1min, and exit the matching mode after 1min. After the pairing is successful, please place the robot at the base station for charging.

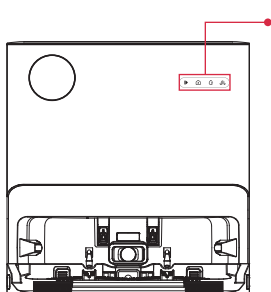


Reset Button

It is used when the machine fails to shut down normally, and the system will shut down when touched

PRODUCT DESCRIPTION

Self-cleaning base stations Indicator Light



▶ Start/pause

- Start: perform the cleaning task
- Pause: pause the cleaning task

🏠 Recall

When the robot is at the base station, press the button to maintain the current charging state;

When the robot is not at the base station

- Cleaning/mopping and mopping: press it to return to the base station, dust collecting, mop cloth cleaning, drying and charging;
- Cleaning: press it to return to the base station, dust collecting and charging;

🧹 Automatic Dust Collection

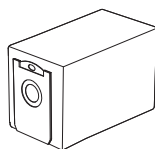
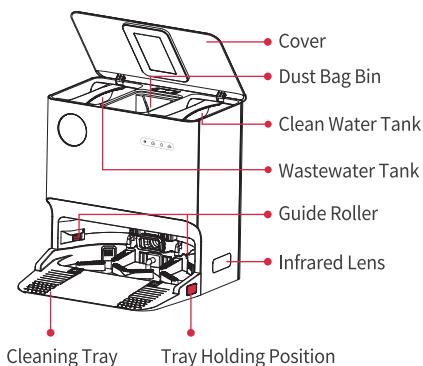
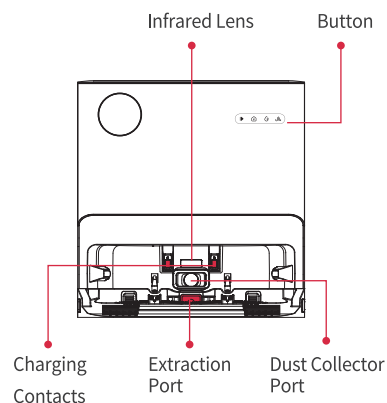
Automatic Dust Collection

- Press it to collect dust

🧼 Clean Mop Cloth

- Press it to clean and dry the mop cloth and charge the robot;
- Press and hold it to enter the pumping mode (Note: When this function is used, the robot is at the base station and in the mopping mode.)

Charging Base/Self-cleaning base stations

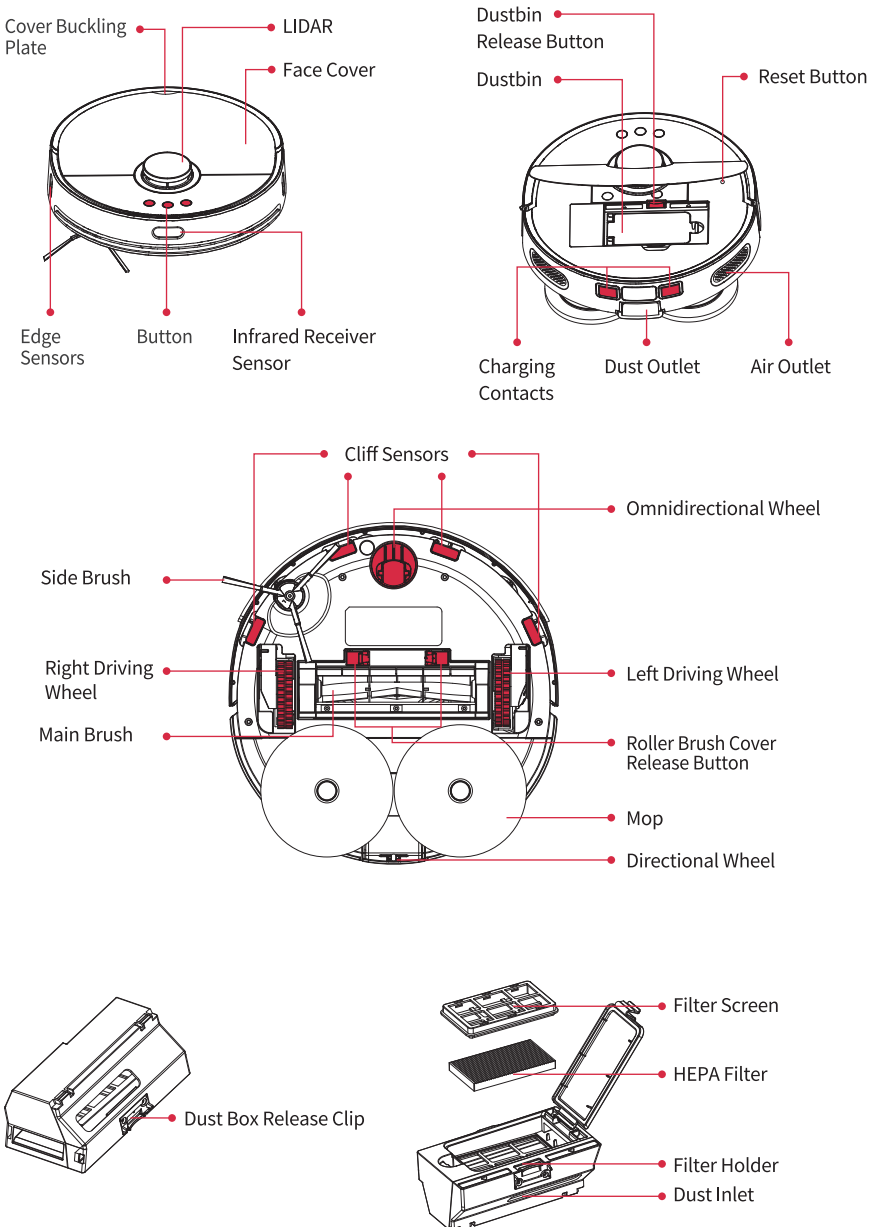


Dust Bag (one installed in the charging station)

Note: The dust bag is consumable and can not be recycled. Please replace it regularly.

PRODUCT DESCRIPTION

The Robot

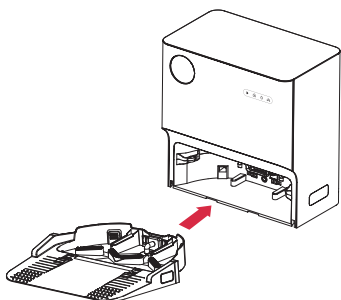


PRODUCT OPERATION

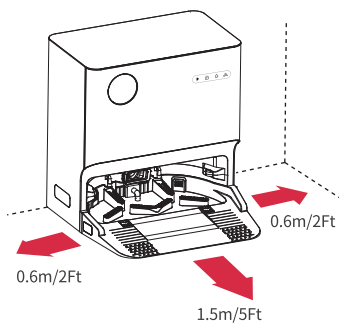
Before Using

Before use, remove all protective parts from the robot and charging station.

1. Assemble the cleaning tray for the charging station

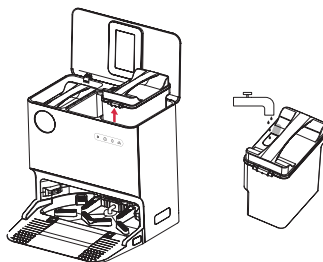


2. Set up the charging station

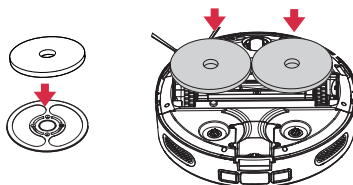


- Please place the charging station against the wall and on a flat and hard ground.
- Ensure that there is a clear space in front and on both sides so that your Robot can return to Base to recharge and empty.

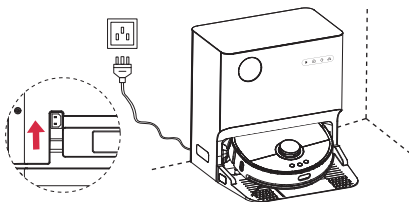
3. Fill the clean water tank with water. (Note: lower than MAX line)



4. Install the mopping module onto the robot



5. Charge Robot



Notes:

1. Don't use this product in the room with infants or pets to avoid danger;
2. In order to facilitate the smooth return of the robot to the charging station after cleaning, it is recommended that the robot starts cleaning from the charging station, and do not move the charging station during cleaning;
3. Do not use the mopping function on the carpet.