



Instruction manual
Bedienungsanleitung
Notice d'utilisation
Manuale di istruzioni
Manual de instrucciones
ユーザーガイド

M8 PRO

Proscenic Technology Co., Ltd.
Service support
Web: www.proscenic.com
E-mail: support@proscenic.com

v9.51



CONTENTS

EN

Product descriptions	1
Installation Notes	7
Instructions for use	8
Routine maintenance	12
Basic parameters	19
Common problems	20
Troubleshooting	21

DE

Produktbeschreibung	23
Installationshinweise	29
Gebrauchsanweisung	30
Routinewartung	34
Grundlegende Parameter	41
Häufige Probleme	42
Fehlerbehebung	43

FR

Description du produit	45
Instructions d'installation	51
Instructions d'utilisation	52
Maintenance quotidienne	56
Paramètres de base	63
Problèmes courants	64
Dépannage	65

IT

Descrizione del Prodotto	67
Istruzioni dell'Installazione	73
Istruzioni per Uso	74
Manutenzione Ordinaria	78
Specifiche tecniche	85
Problemi & Soluzioni	86
Soluzione del malfunzionante	87

ES

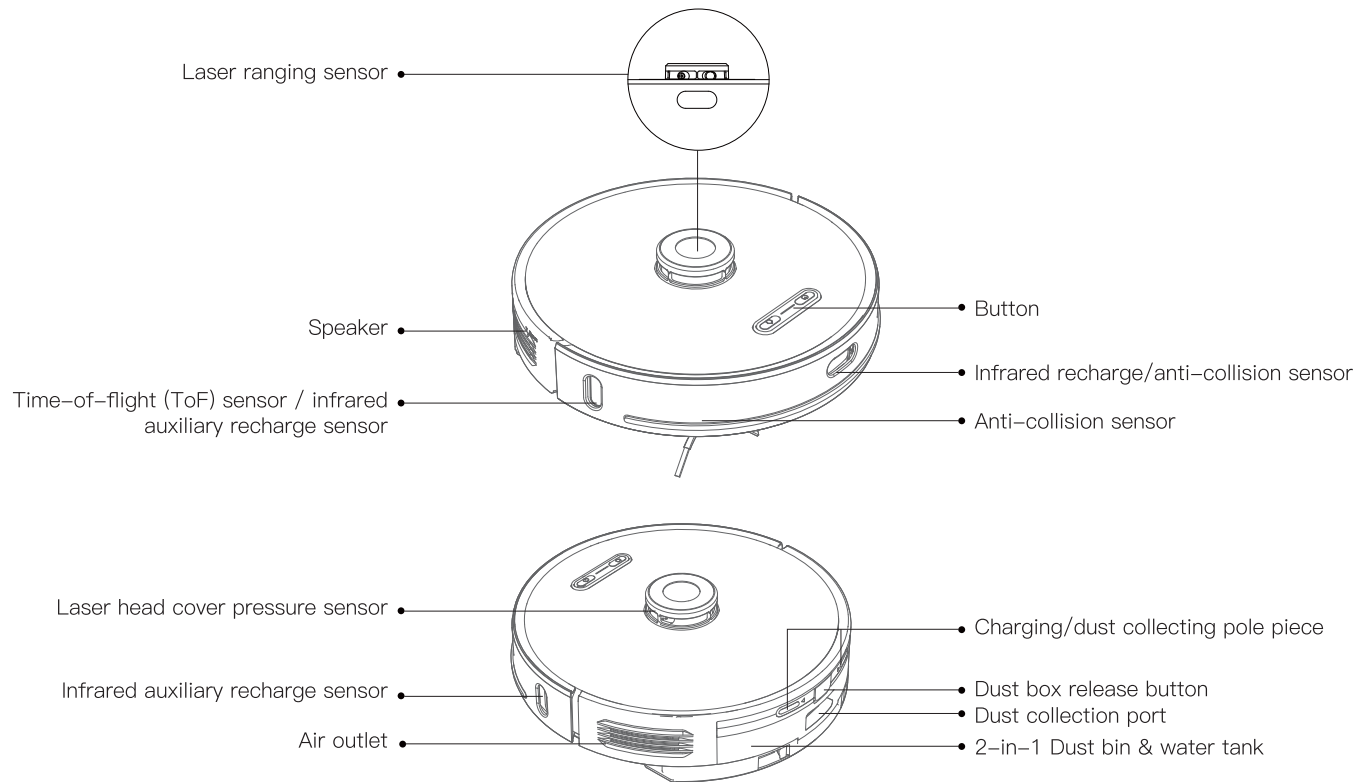
Descripción del producto	89
Instrucciones de Instalación	95
Instrucciones de uso	96
Mantenimiento de rutina	100
Parámetros básicos	107
Problema común	108
Solución de problemas	109

JP

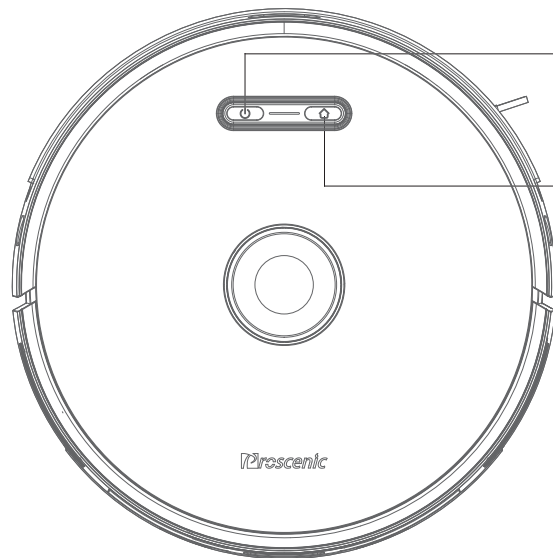
製品紹介	111
インストールガイド	117
使用説明	118
日常のメンテナンス	122
基本的なパラメーター	129
一般的な問題	130
トラブルシューティング	131

Product descriptions

Robot





Robot




- **Start/Stop Button**
 - Long press to turn on / off
 - Short press to start / pause cleaning

- **Recharge button**
 - Short press to start/pause recharging
 - Solid blue light: Working normally/pause/standby
 - Flashing blue light: Is powering on/configuring network/upgrading firmware
 - Flashing yellow light: Low battery/recharging
 - Flashing green light: Charging
 - Solid green light: Fully charged
 - Quick flashing red light: Abnormal/Error
 - Light off: Off/sleep

Network Configuration

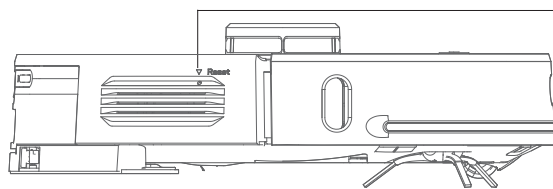
- While the power is on, press and hold the  and  keys simultaneously for 5 seconds

Dust collector pairing mode

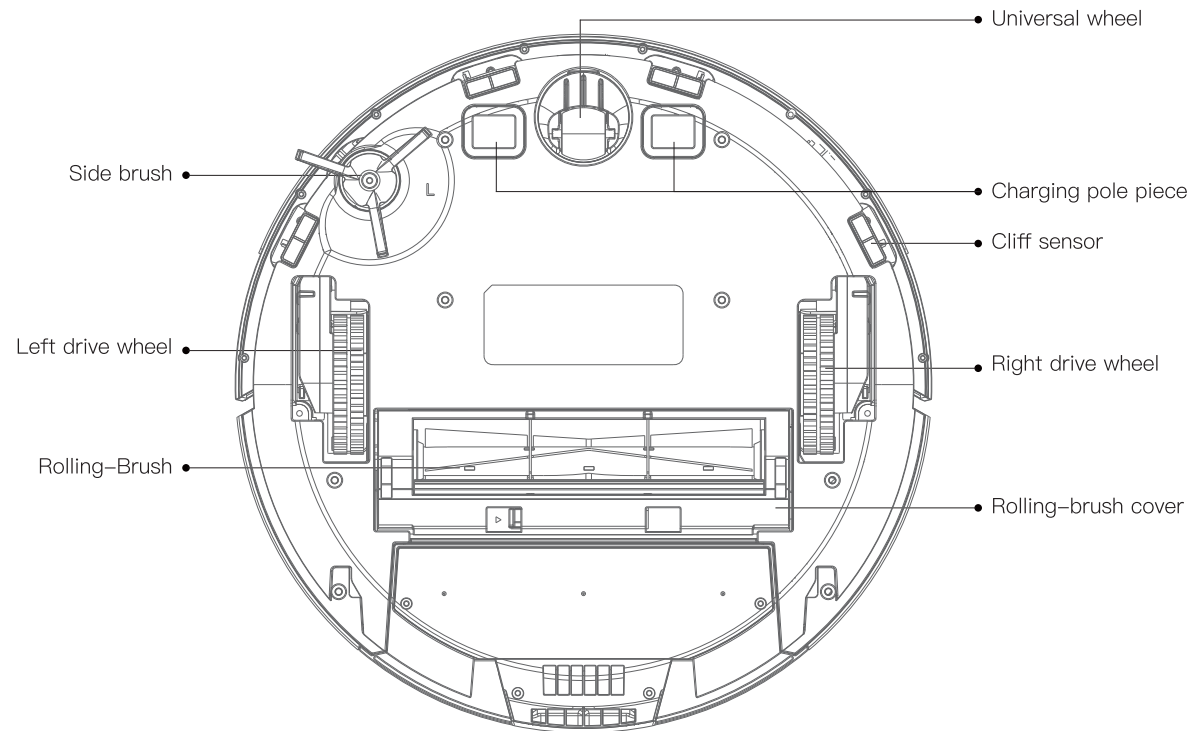
- Press and hold the "" button for 5 seconds during the power-on process

Force-shutdown button

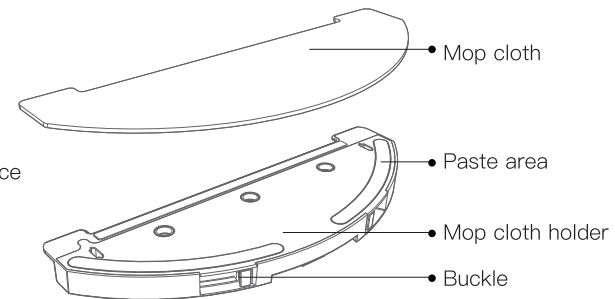
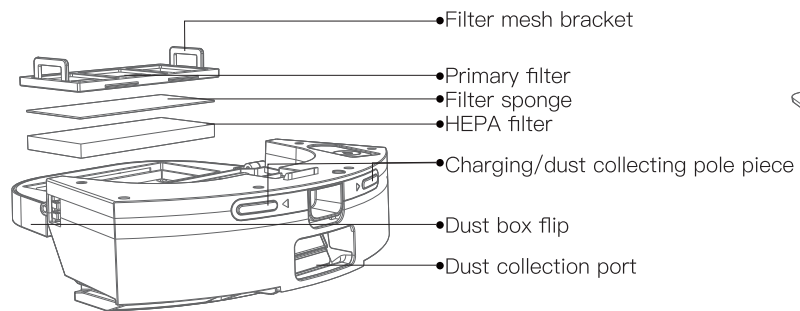
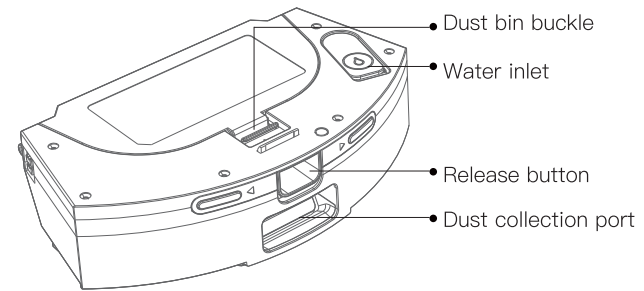
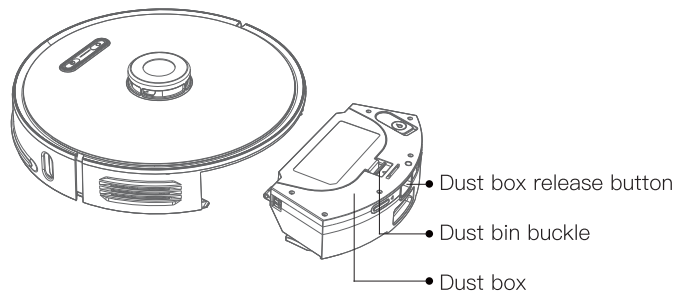
- Short press to turn off



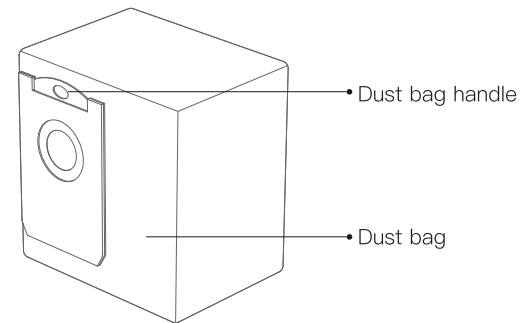
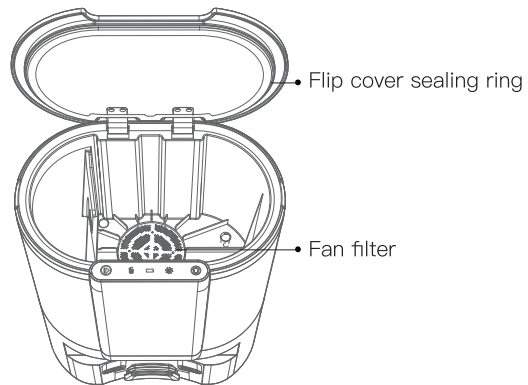
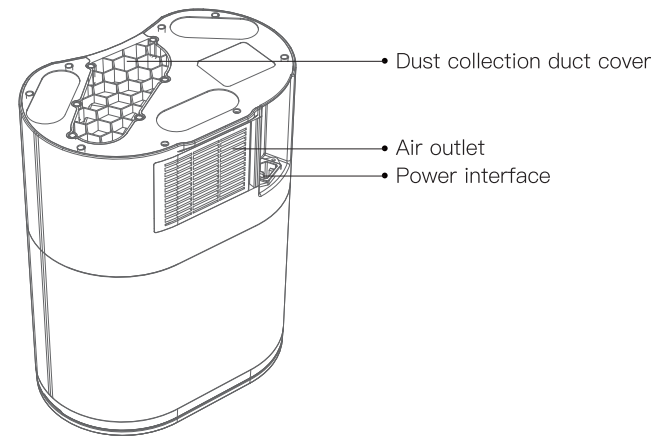
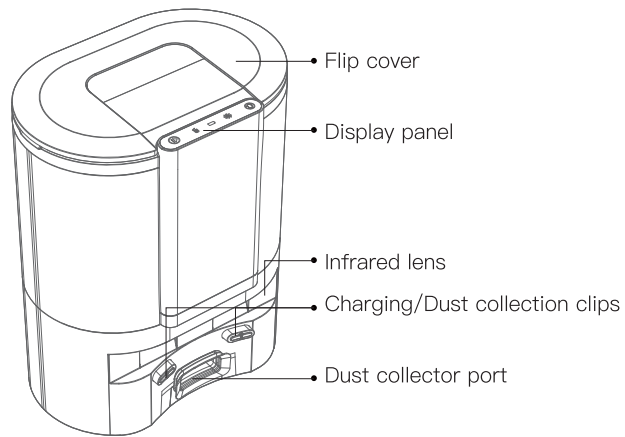
Host and sensor



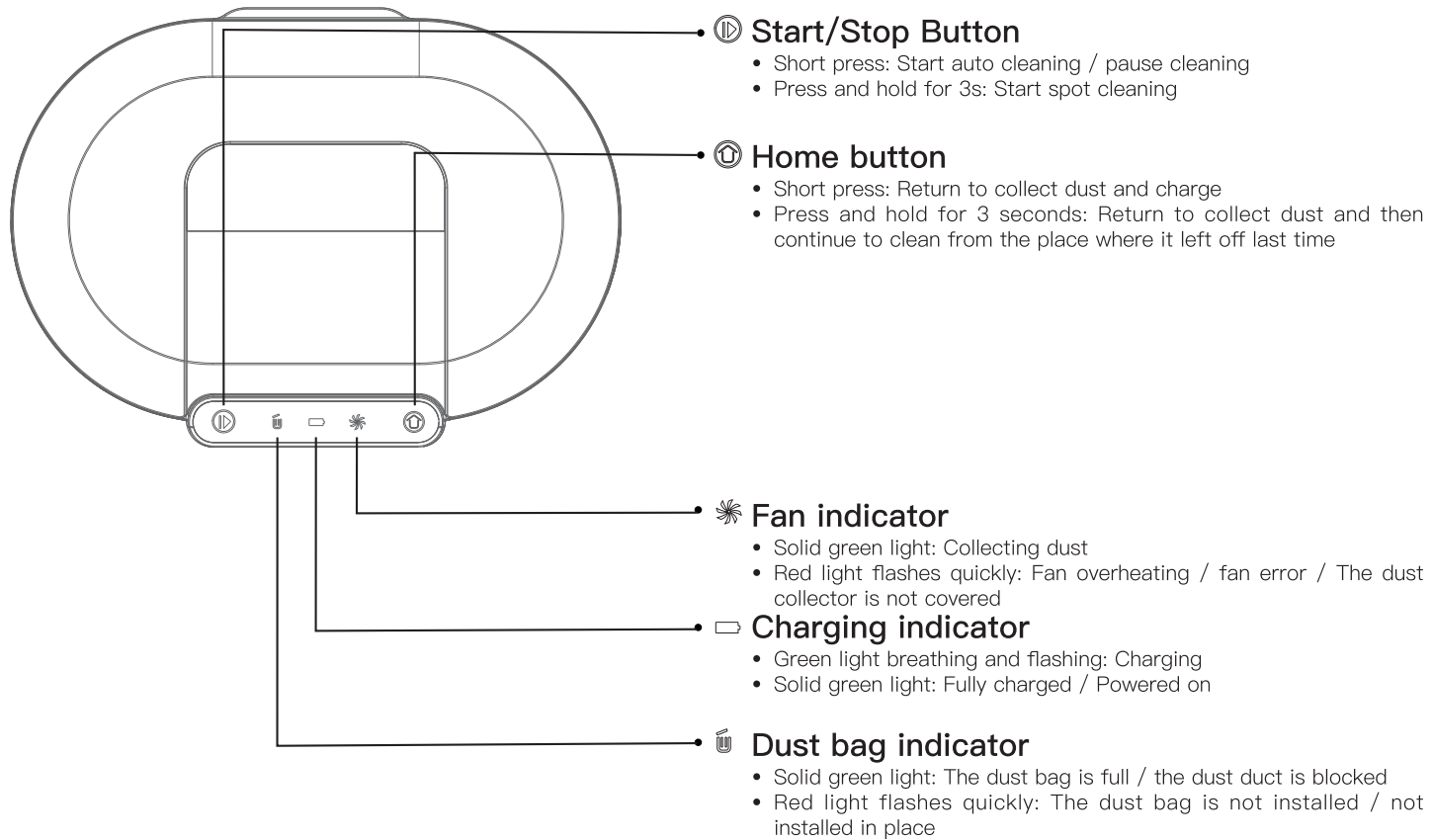
2-in-1 Dust bin & water tank



Dust collector unit



Dust collector unit



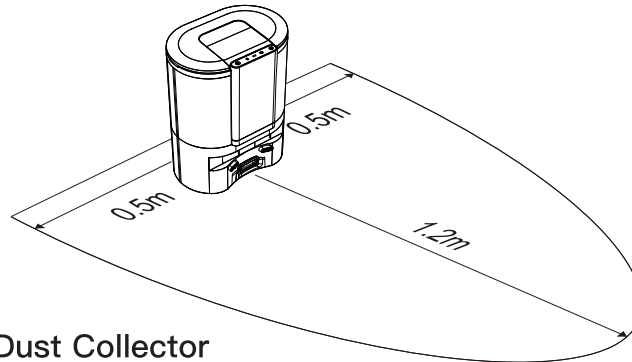
Installation Notes

Install dust collector

1. The dust collector should be placed on flat ground more than 6cm away from the wall.



2. Ensure there is a space of more than 1.2m at the front, and more than 0.5m on both sides of the dust collector.



About your Dust Collector

The dust collector unit is designed to collect dust and charge the robot cleaner. When the cleaning is completed, the robot vacuum automatically returns to the dust collector, which collects all the dirt and dust and recharges the robot vacuum automatically.

A new bag is required to install in the dust collector once it is filled with dust and dirt.

Instructions for use


Instructions for robot

Power on / off

Press and hold the “” button to power on, and the robot enters the standby mode. After booting, press and hold the “” button to shut down.

Note: When the machine is charging on the dust collector, it will automatically turn on, and it cannot be turned off during charging.

Start / pause

Under the power on state, short press the “” button to start the whole house cleaning.

Press any key to pause while cleaning.

Note: It is recommended to let the sweeping robot start cleaning from the dust collector.

When the battery is too low, the cleaning will not start.

Please charge and then start cleaning.

When the power is insufficient during the cleaning process, the robot will automatically return to the dust collector unit for charging.

After the battery is fully charged, it will automatically return to the interrupted location to continue cleaning.


Instructions for dust collector

Start/Stop Button

Short press: Start auto cleaning / pause cleaning

Press and hold for 3s: Start spot cleaning

Charging

Automatic recharging: The robot will automatically return to the dust collector unit to charge after the cleaning is completed or when the battery is low. Manual charging: Press the “” button to start recharging. After the machine is powered off, you can manually put the machine back to the dust collector unit to charge.

Note: Please make sure the charging pole piece is in good condition.

Sleep

If there is no operation for more than 20 minutes, the robot will automatically enter the sleeping mode.

Note:

The machine will not enter the sleeping mode when charging.




It will automatically shut down after the power runs out while sleeping.

Home button

Short press: Return to collect dust and charge

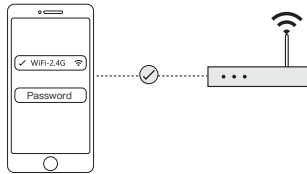
Press and hold for 3 seconds: Return to collect dust and then continue to clean from the place where it left off last time

Pairing of dust collector and robot (Paired in default factory settings)

1. Press and hold the both buttons  and  on the dust collector simultaneously for 5 seconds: The dust collector enter the pairing mode, the three indicators of the dust collector flash green.
2. Press and hold the button  for 5 seconds on the robot: The robot enter pairing mode, the indicators of the robot flash green.
3. Place the robot at the dust collector to charge, and the voice prompts that the pairing is successful.

Connect to the mobile client

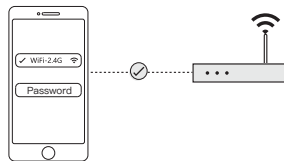
① The phone is connected to WiFi.



③ Choose the sweeping robot “M8 PRO” on the home page to add a device.



⑤ Select the connected WiFi of the phone and enter the WiFi password.

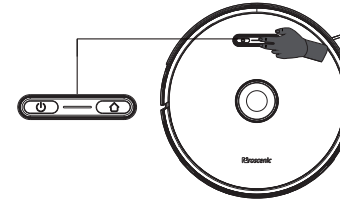


⑦ Return to the APP and wait for the distribution network to complete.

② Scan the QR code below, or search for “ProscenicHome” in the mobile app store to download the app, register and login to the account.



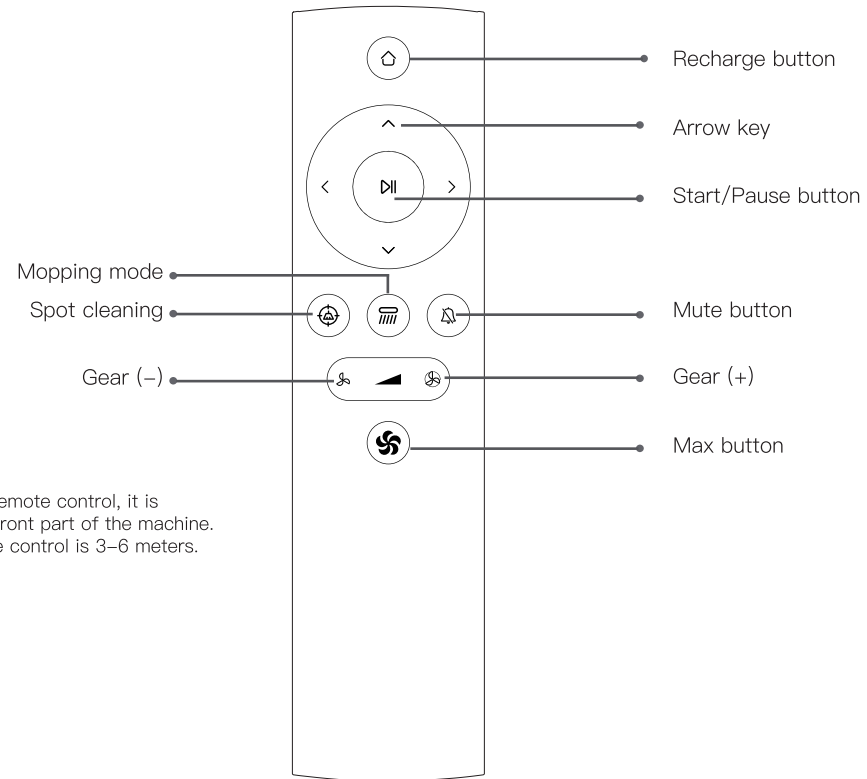
④ Press and hold the “⏻” and “🏠” keys for 5 seconds to enter the network configuration.



⑥ Go to the mobile phone WLAN list and select and connect the “Proscenic-XXXX” device hotspot.

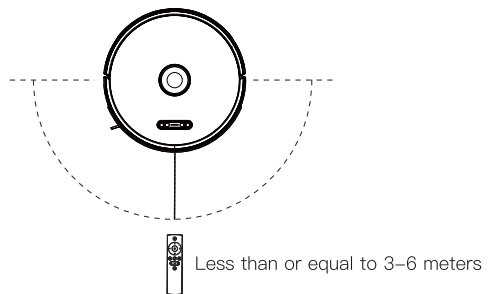


Remote control



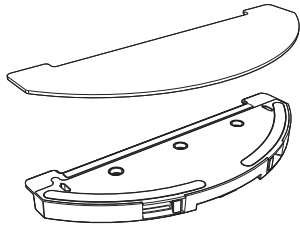
Note:

1. To ensure the effectiveness of the remote control, it is recommended to point it towards the front part of the machine.
2. The available distance of the remote control is 3–6 meters.

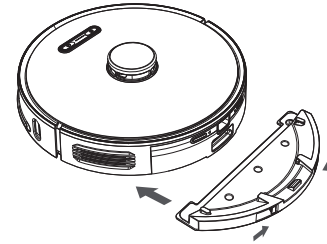


Install the 2-in-1 Dust bin & water tank

① Place the mop pad onto the mop attachment and secure it to the Velcro strips. Slip corners of the mop pad over the plastic tabs at the rear of the mop attachment.



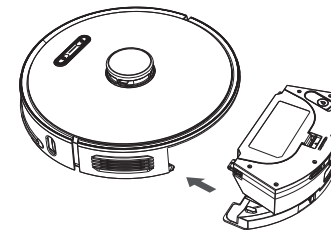
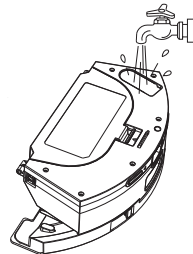
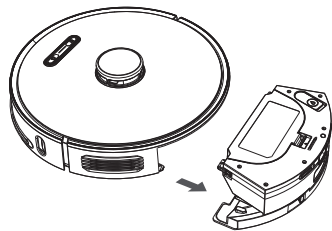
② Slide the mop attachment into the dustbin as shown in the figure below until you hear a click confirming that it is locked in place.



③ Remove the dustbin from the machine with the mop attachment still installed.

④ Open the water fill cap on the dustbin and fill with water, close the cap.

⑤ Install the dustbin with the mop attachment still installed into the machine according to the figure below.



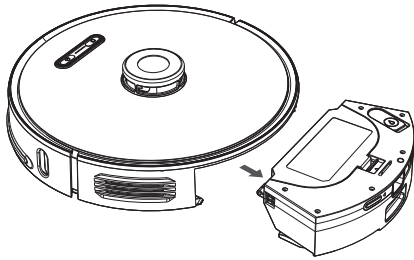
Please Note:

1. To avoid carpet while mopping, set up virtual boundaries on the Proscenic APP.
2. To avoid leakage, install the mop attachment on the dustbin before filling with water.
3. Make sure to empty any leftover water from the tank after mopping.

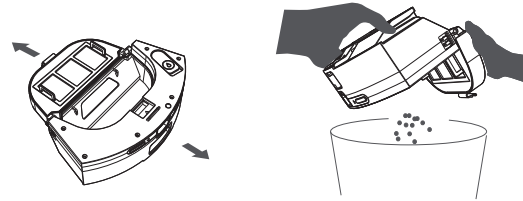
Routine maintenance

2-in-1 Dust bin & water tank (recommended weekly)

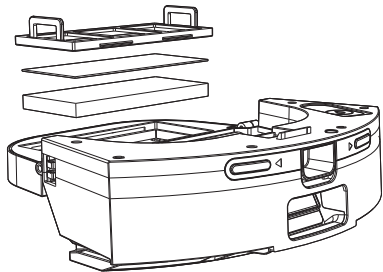
① Press the dust box release button and take out the dust box.



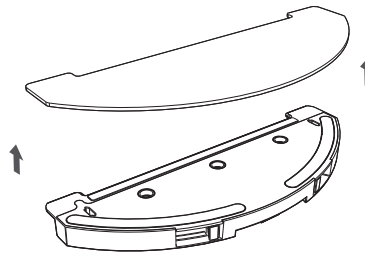
② Open the dust box and dump the garbage in the dust box.



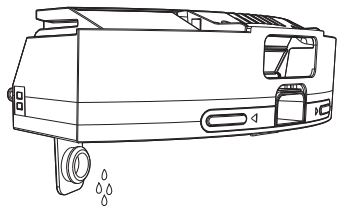
③ Take out the primary filter, sponge and HEPA filter, clean the garbage on the surface with a cleaning brush, rinse the filter and dust box with water and then dry.



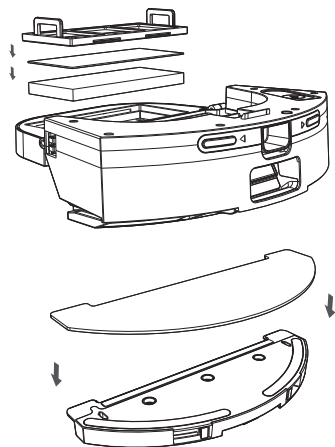
④ Tear off the mop cloth, rinse with water and dry in the sun.



⑤ Pour out the remaining water in the water tank and dry the water tank.



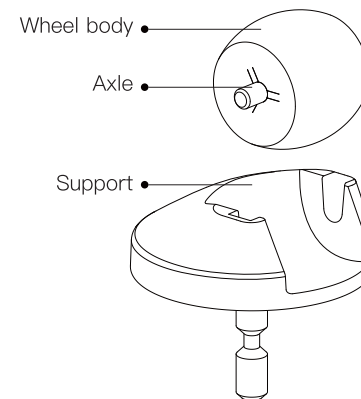
⑥ After the filter, dust box, mop cloth and water tank are all dried, put them back together for next use.



Universal wheel (recommended to be cleaned monthly)

1. Flip the main unit and pull out the universal wheel upwards.
2. Clean the hair and dust on the wheel, axle and support.
3. Reinstall the universal wheel and press it tight.

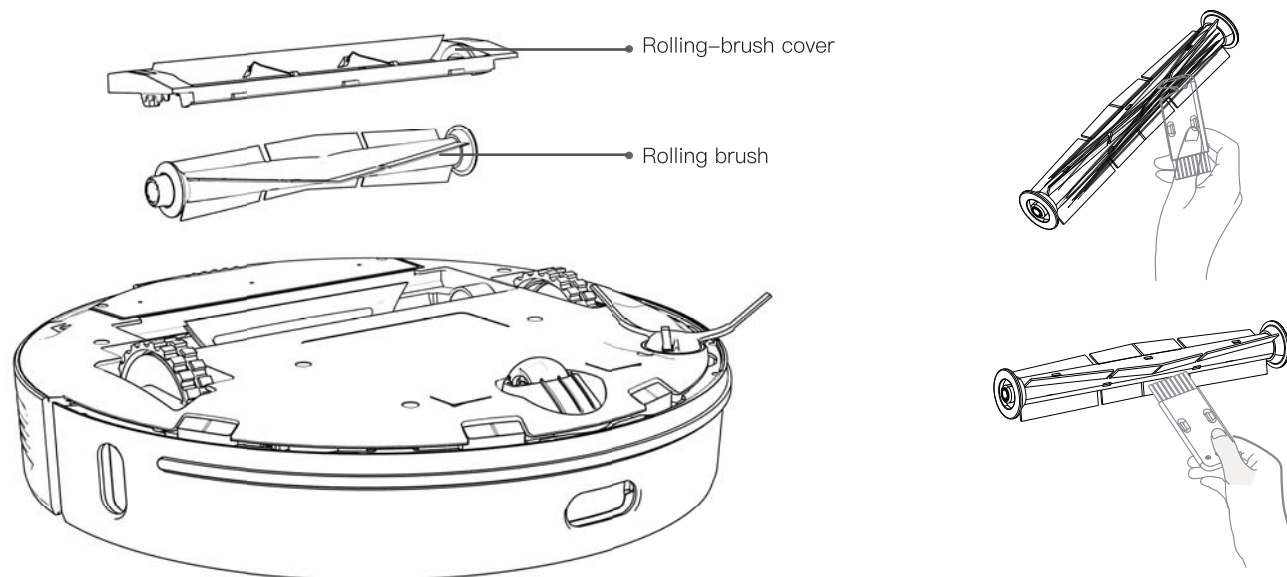
Note: Wash with water, dry it and put it back.



Rolling brush (recommended to be cleaned weekly)

- ① Turn the main unit, press the left and right buckles, and remove the rolling-brush cover.
- ② Remove the rolling brush upwards and clean the entangled hair and rubbish with a cleaning brush.
- ③ Replace the rolling brush and insert the three legs of the rolling-brush cover into the slot, press down and fix the buckle.

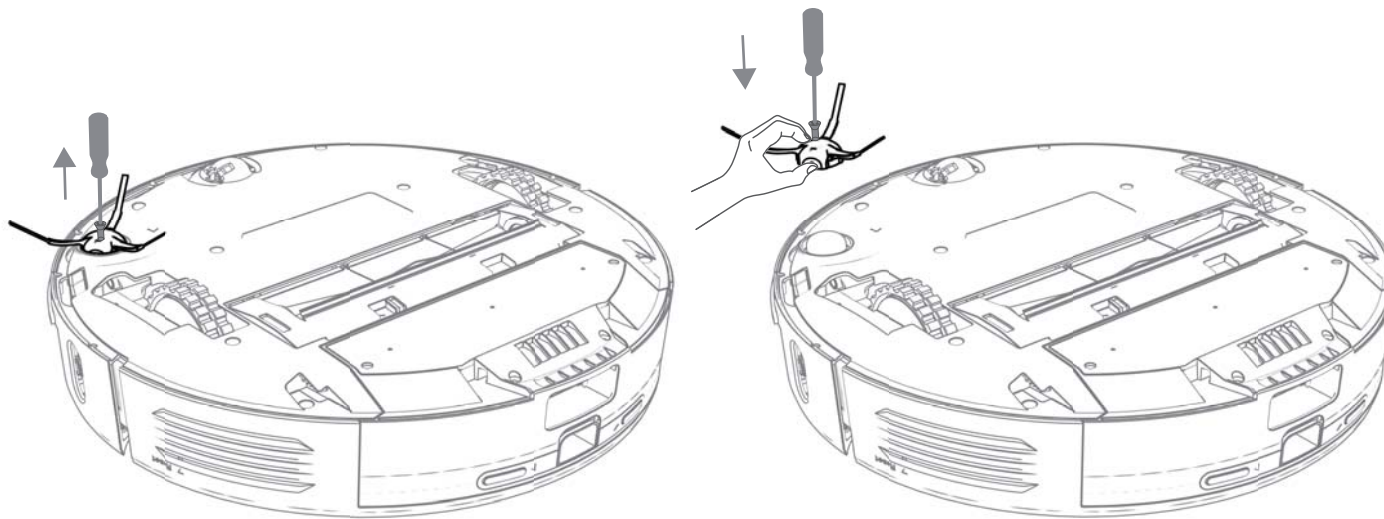
Note: Depending on the usage, it is recommended to replace the roller brush every 6–12 months to ensure the cleaning effect.



Side brush (recommended weekly cleaning)

- ① Use a screwdriver to unscrew the side brush screw and remove the side brush.
- ② After cleaning the wrap hair and rubbish on the side brush, replace the side brush.

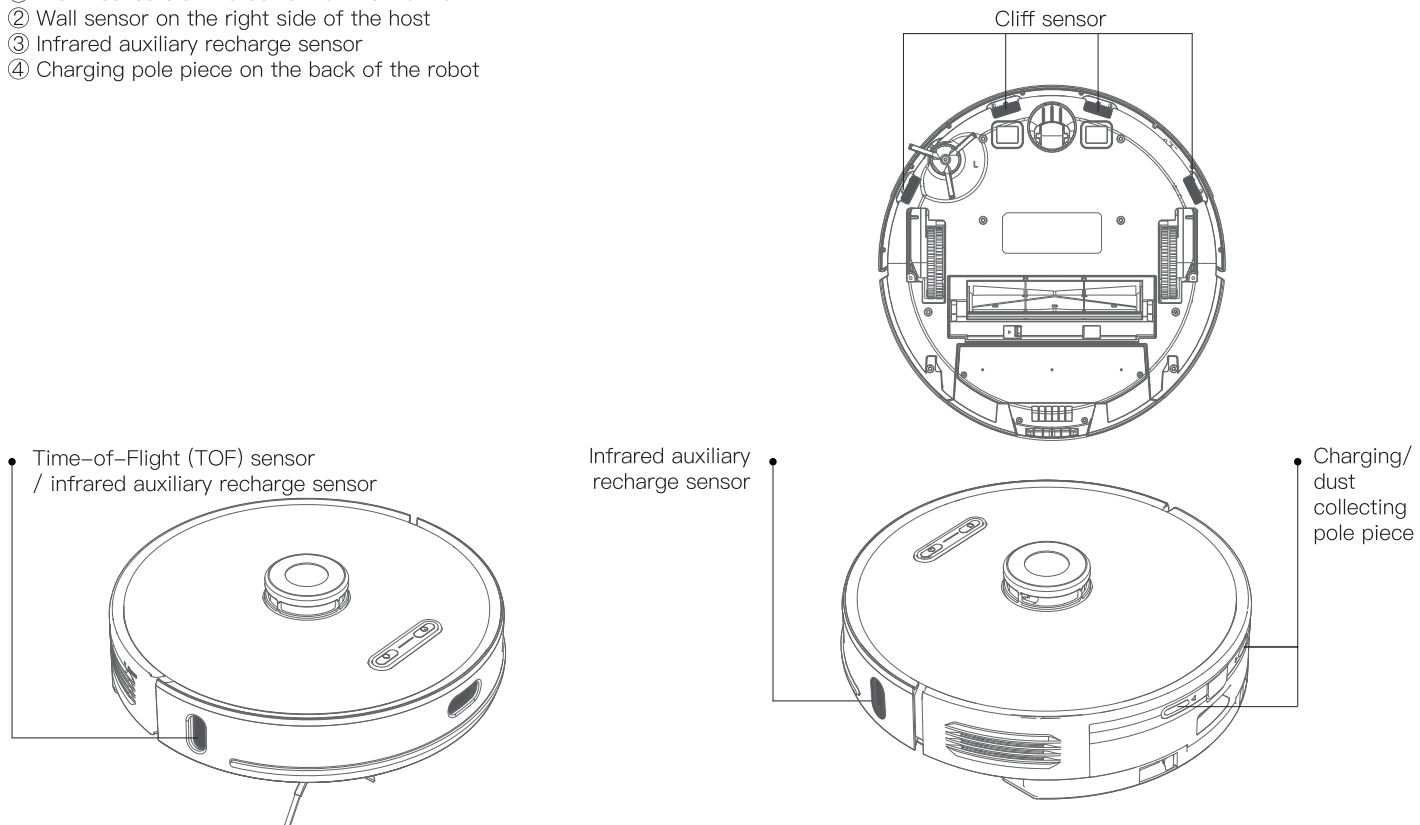
Note: Depending on the application, it is recommended to replace the side brush for 3–6 months to ensure the cleaning effect.



The main unit and sensor (recommended to be cleaned monthly)

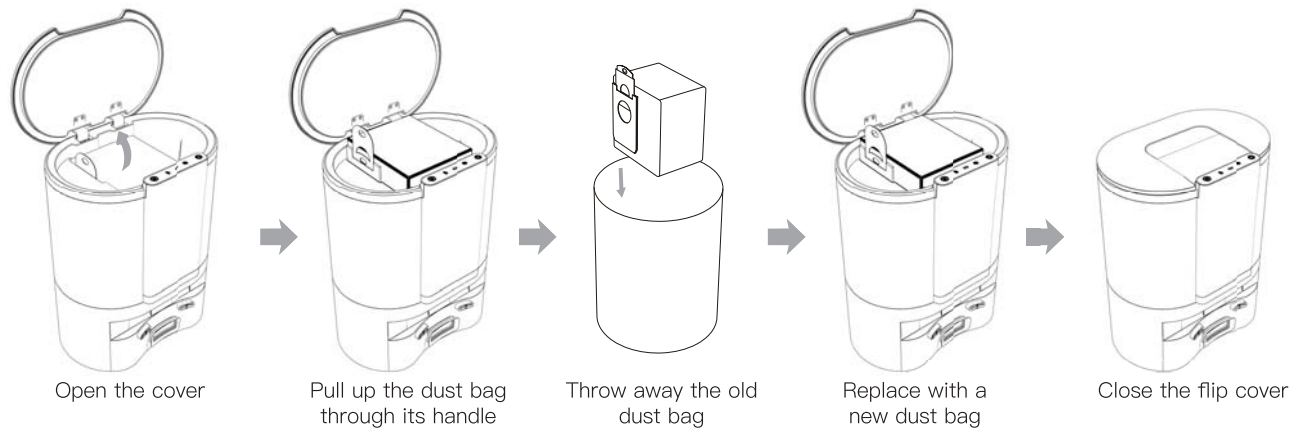
Wipe the sensor on the main unit with a soft, dry cloth, including:

- ① 4 cliff sensors at the bottom of the main unit
- ② Wall sensor on the right side of the host
- ③ Infrared auxiliary recharge sensor
- ④ Charging pole piece on the back of the robot




Dust bag

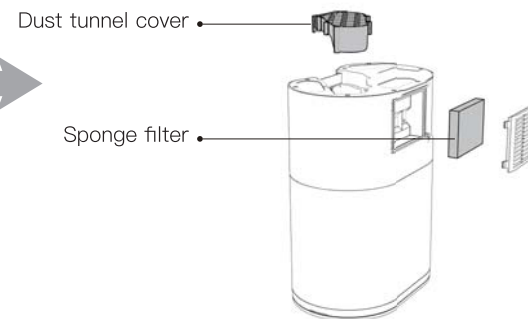
When the dust bag is full, replace it with a new one according to the  Dust bag indicator (solid green light). It is recommended to replace the dust bag every 6–8 weeks.



*Note: The fastener seals the dust and debris in the dust bag.

Cleaning the dust tunnel

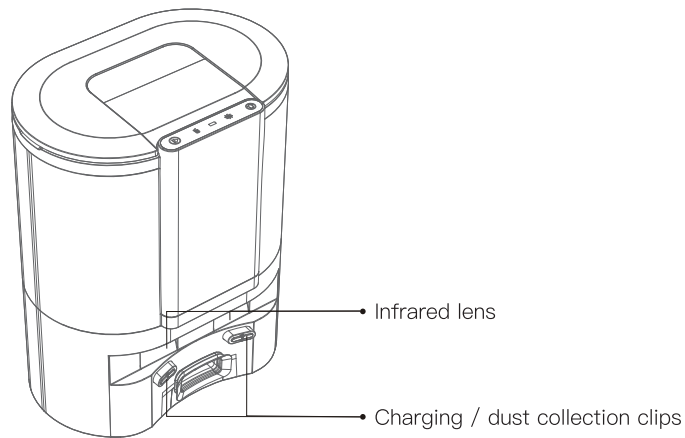
- ①  The dust bag indicator light is solid green, but the dust bag is not full, unplug the dust collector, turn the dust collector over, use a screwdriver to remove the screws as shown in the figure and open the dust duct cover to clean out the foreign objects.
- ② Open the air outlet at the rear of the dust collector, clean the sponge filter, and then put it back in.



***Do not disassemble by force, use a screwdriver to remove the screws. Reassemble it according to the original design after each clean.**

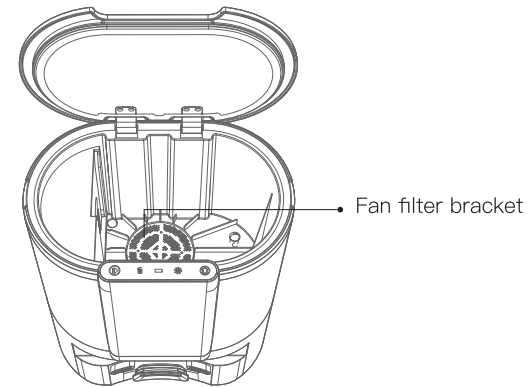
Cleaning the dust collector infrared lens and the charging/dust collector clips

Check the infrared lens and charging / dust collection clips of the dust collection unit for dirt. Wipe them with a clean dry cloth to ensure they are clean and free of dirt. It is recommended to wipe them at least once a month.



Cleaning the fan filter screen bracket

Check whether there is any lint or debris accumulated on the filter screen bracket of the fan. If there is any, please use the cleaning brush for robot or a dry cloth to remove it. It is recommended to clean it at least once a month.



Basic parameters

Robot

Name	Parameters
Dimensions	φ350mmxφ350mmx98mm
Product weight	≈ 3.6kg
Rated voltage	14.4V ⁼⁼⁼
Rated power	50W
Battery capacity	5200mAh

Dust collector unit

Name	Dimension/Rating
Overall Dimensions	282mmx361mmx202mm
Power Rating	1050W
Input Rating	110-240V ~50/60Hz
Output Rating	DC24V ⁼⁼⁼ 1.2A

FCC Statement

1. This device complies with Part 15 of the FCC Rules. Operation is subject to the following two conditions:
 - (1) This device may not cause harmful interference, and
 - (2) This device must accept any interference received, including interference that may cause undesired operation.
2. Changes or modifications not expressly approved by the party responsible for compliance could void the user's authority to operate the equipment.

NOTE:

This equipment has been tested and found to comply with the limits for a Class B digital device, pursuant to Part 15 of the FCC Rules. These limits are designed to provide reasonable protection against harmful interference in a residential installation.

This equipment generates uses and can radiate radio frequency energy and, if not installed and used in accordance with the instructions, may cause harmful interference to radio communications. However, there is no guarantee that interference will not occur in a particular installation. If this equipment does cause harmful interference to radio or television reception, which can be determined by turning the equipment off and on, the user is encouraged to try to correct the interference by one or more of the following measures:

Reorient or relocate the receiving antenna. Increase the separation between the equipment and receiver.

Connect the equipment into an outlet on a circuit different from that to which the receiver is connected.

Consult the dealer or an experienced radio/TV technician for help.

FCC Radiation Exposure Statement

This equipment complies with FCC radiation exposure limits set forth for an uncontrolled environment.

This equipment should be installed and operated with minimum distance 20cm between the radiator & your body.

Common problems

Question type	Solution
Unable to boot	The battery is low, please manually put the robot back to the dust collector for recharging before using it The ambient temperature is too low (less than 0° C) or too high (higher than 40° C)
Unable to start cleaning	The battery is low, please put the robot back to the dust collector to recharge manually before using it
Unable to recharge	There are too many obstacles near the dust collector. Please place the dust collector in an open area The main unit is being too far away from the dust collector. Please try to place the main unit near the dust collector
Abnormal behavior	Reboot it after shutdown
There is an abnormal noise during cleaning	The roller brush, side brush or left/right wheel may be wrapped with foreign objects, please clean them after shutdown
Declining in cleaning ability or dust falling out from the machine.	The dust box is full, please clean it HEPA components have been blocked, please clean it The roller brush is wrapped by foreign objects, please clean it
Unable to connect Wi-Fi	The Wi-Fi signal may not be good, please make sure the machine is in an area with optimal Wi-Fi signal coverage The Wi-Fi connection may be abnormal, please reset your Wi-Fi and download the latest app and try to connect it again
Breakpoint cleaning	Please confirm that the machine is not in the Do Not Disturb mode, and it will not continue to clean in this mode Recharging the machine manually or placing it back to the dust collector will lead the machine not to continue cleaning from last interruption
Cannot return to the dust collector after spot cleaning or moving the position	After the spot cleaning or moving the position for a long distance, the machine will re-generate the map If the dust collector is far away, it may not be able to recharge automatically. Please place it back to the dust collector manually to charge
Unable to charge	Make sure there is enough space around the dust collector and no dust or obstruction on its surface
Scheduled cleaning does not work	Please confirm that the device is connected to a network. If it is not, you cannot synchronize the scheduled cleaning task
The machine is always offline.	Please ensure that the machine is successfully connected to a network and is always within the Wi-Fi coverage
The mobile phone cannot pair the device.	Please make sure that the dust collector and the machine are within the Wi-Fi coverage and the signal is optimal. Follow the instructions to reset the Wi-Fi and then pair it again

Troubleshooting

Robot

Fault prompt	Solution
Abnormal 1. Please confirm that the laser radar is not blocked	Please check or remove foreign objects around the lidar or move the device to a new location to restart
Abnormal 2. Please wipe the cliff sensor and move to the new position to start	Wipe the main power cliff sensor and try again (refer to the manual for sensor location)
Abnormal 3. A strong magnetic field is detected, moved to a new location, and then retried	Please move the machine to a new location and try again
Abnormal 4. Please check the collision sensor and clear the foreign object around it	Try pressing the front bumper and clearing the foreign object, then restart
Abnormal 5. The temperature of the machine is abnormal. Please wait for the temperature to return to normal	The temperature of the machine is too high or too low. Please wait until the temperature returns to normal before using
Abnormal 6. Charging is abnormal. Please clean the charging contact area	Please check if the original power adapter is used. Please check if the dust collector is in the horizontal position