

Consumer Electronics Tech Products

Product Specifications & Instruction Sheet

Please provide the following product information and send it to your sourcing contact in the New York office. Form will not be accepted unless filled out completely.

Merkury Model Number (if series, please list all model #): XV-BS641

Full Product Description (from PO): BLK TRAILBLAZER RUGGED SPEAKER

Factory Name: XINVO INDUSTRIAL COMPANY LIMITED

List What's Included in the Package:

- *1 x Bluetooth speaker
- *1 x Charging cable
- *1 x Instruction manual

How is the product powered?

Power Feature	Yes/No	If YES, please list specs below
USB Powered	YES	Type-C charging cable 50cm
Dry Cell Batteries		Lithium battery –18650-1200mAh
Solar Powered	NO	
AC Powered	NO	
Other		

Product Specifications

Feature	Product Spec	Comments
Product Dimensions in Inches (Height x Width x Depth):	114 x 114 x 132mm	
Product Weight in Pounds:	1.1lbs	
Input Voltage Rating:	5V	
Output Voltage Rating:	3.7V	
Output Watts:	5W	
Indoor/Outdoor Use:	Indoor & Outdoor	Outdoor IPX4

Setup Details		
Requires Physical Installation?	No	
Reset Method	No	
Indicator	Indicator Light	
Supports BLE Pairing?	No	

Supports Easy Mode Pairing?	Yes	
Supports AP Mode Pairing?	No	
Other		
Technical Specifications	Standard	Product Specification
Stereo Sound	<i>Stereo</i>	
BT IC Model and Version	AC6965 /V5.3	
BT TWS Output Sound	Around 600mA	
BT Headset Output Sound	No	
BT Speaker Output Sound	Around 600mA	
Frequency Response	<i>50HZ~20KHZ</i>	
Distortion, Use iPhone max volume for testing	<i>@ vol max. BT SPK ≤ 10%</i>	
SNR, Use iPhone max volume for testing	<i>No</i>	
Charging Current	<i>Around 500mA</i>	
Battery Capacity	1200mAh	
Bluetooth® Range	<i>≥10m</i>	
BQB certification for BT IC	AC6965	
Battery With PCM	<i>YES</i>	
Play Time	Around 3H	
IPX Rating	<i>IPX4</i>	
Charging Time	Around 3H	
Charging Port Type	Type-C	
Battery Capacity: Talk Time	Around 3H	
Battery Capacity: Standby Time	300 days+	
Number of Channels	1	
Watts Per Channel	5W	
Driver Size	66mm	
Speaker Size	5W	
Nominal Impedance (Ohms)	3.3Ω	
Sweat Proof – Headphones/Earbuds	<i>NO</i>	
Microphone/Speakerphone Function?	NO	
3.5mm Aux input Function?	NO	
FM Function?	YES	
TF Card Playback Function?	<i>YES</i>	
USB Playback Function?	<i>YES</i>	
Included Accessories	Charging cable	
Certifications	FCC ID: 2ARZK-XVBS641	

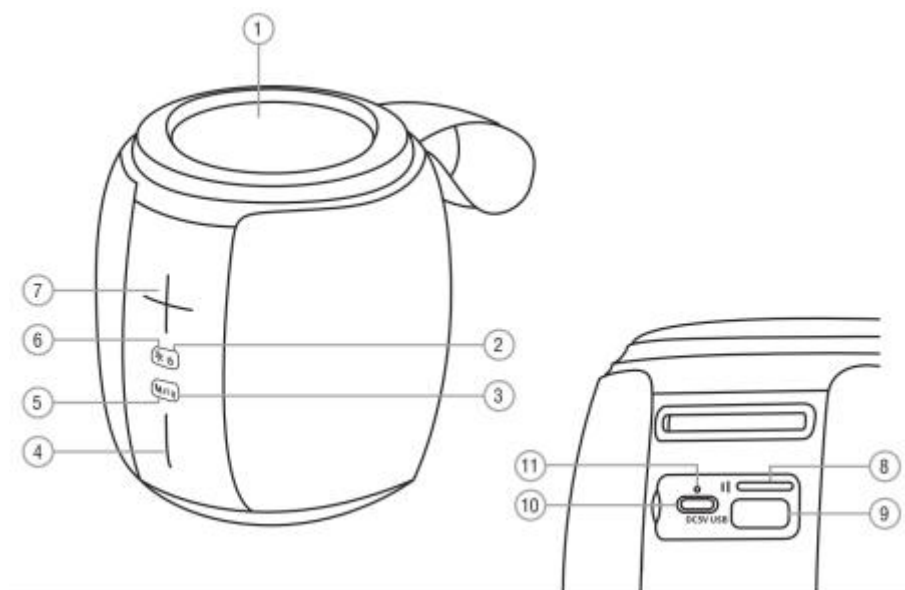
Certifications : (ETL, UL, California Proposition 65, FCC, BQB, CEC/BC, etc.)

Note : ETL/UL Certifications for adapter should not be printed on the packaging

Features: List at least 3-5 features and describe the function of each feature.

1. IPX4 Waterproof.
2. Multi-colored LED lights bounce to the rhythm of the music.
3. Dual Pairing function supports 2 speakers' connection to provide stereo sound.
4. Portable Bluetooth 5.3 speaker support wireless seamless connection
5. Made with durable fabric material and ABS + Rubber housing
6. Portable and long battery life

Product Diagram/Line Drawings: Include all buttons/controls and accessories, if applicable. Zoom in view of reset button or indicator if applicable.



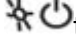
Step-by-Step Installation or Assembly Instructions: If applicable

NO

Instruction Guide for Product Use: Include instructions for all special features.

1. LED Lights
2. Power On/Off
3. Play/Pause
4. Volume Decrease - / Previous Track
5. Mode (FM Mode / BT mode)
6. LED Lights mode, Power On/Off
7. Volume Increase + / Next Track
8. TF Card Slot
9. USB Port
10. Charging Port
11. LED Indicator Lights

WIRELESS SPEAKER

Long press the Power button  to ON/OFF the speaker. Open your device (phone, pad etc.) and search for "MERKURY BT123" to connect, an alert will sound indicating speaker is connected, then you can start to play music through the speaker.

1. Short press - to volume down + volume up.

2. Long press - to previous track + next track.

USB

Insert USB driver, music will be played directly. (not included)

TF CARD




Insert TF Card, music will be played directly. (not included)

TWS MODE

(TWS function is for to pair 2 pieces speakers)

Double press + button on one speaker then will hear "didi deng" sound, TWS paired. Turn on the wireless feature on your mobile device, find and pair with "MERKURY BT123" to play music.

FM RADIO FUNCTION

Long press  button into FM Radio Mode, then insert Type-C charging cable (included) into the charging port as FM antenna, short press  button again into automatically search for and save stations. After receiving stations, long press  or - button to fix station.

CHARGING

To charge your speaker, connect one end of the provided Type-C cable to a USB power source. When the speaker is charging, the LED charging indicator will glow red. When it is fully charged, the indicator will turn off.

Legal Warnings: Any information that needs to be displayed; please include specific guidelines such as font size or color. Periodically wipe clean with soft cloth. Never uses abrasive cleaning agent.

FCC Notice	This equipment has been tested and found to comply with the limits for a Class B digital device, pursuant to part 15 of the FCC Rules. These limits are designed to provide reasonable protection against harmful interference in a residential installation. This equipment generates, uses and can radiate radio frequency energy and, if not installed and used in accordance with the instructions, may cause harmful interference to radio communications. However, there is no guarantee that interference will not occur in a particular installation. If this equipment does cause harmful interference to radio or television reception, which can be determined by turning the equipment off and on, the user is encouraged to try to correct the interference by one or
------------	--

	<p>more of the following measures:</p> <ul style="list-style-type: none"> • Reorient or relocate the receiving antenna. • Increase the separation between the equipment and receiver. • Connect the equipment into an outlet on a circuit different from that to which the receiver is connected. • Consult the dealer or an experienced radio/TV technician for help. <p>Important Information:</p> <p>This device complies with part 15 of the FCC Rules. Operation is subject to the following two conditions: (1) This device may not cause harmful interference, and (2) this device must accept any interference received, including interference that may cause undesired operation.</p> <p>The device has been evaluated to meet general RF exposure requirement. The device can be used in portable exposure condition without restriction.</p>
Important Information	N/A
Other Warnings?	N/A