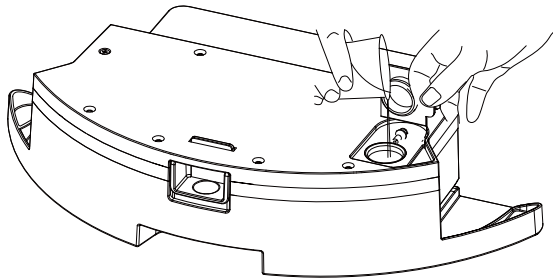


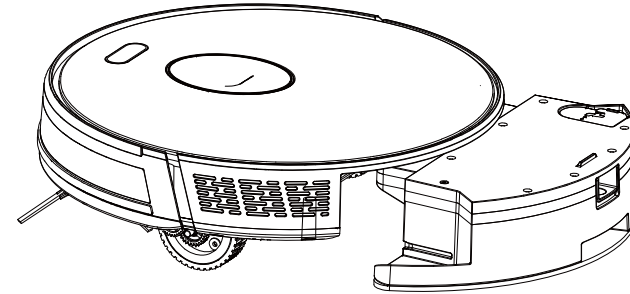
## Product Use / water Tank Use

- \*Do not use the floor mopping function on carpets.
- \*After mopping the floor, please empty the water tank in time and remove the dishcloth.

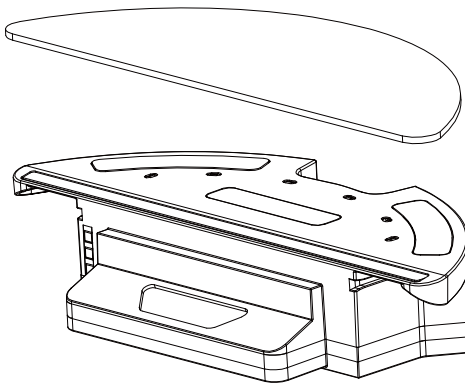
Add water



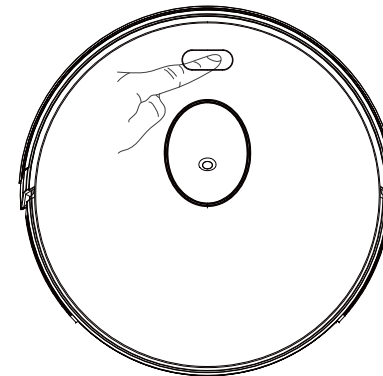
Install the Water Tank Assembly



Install Dishcloth

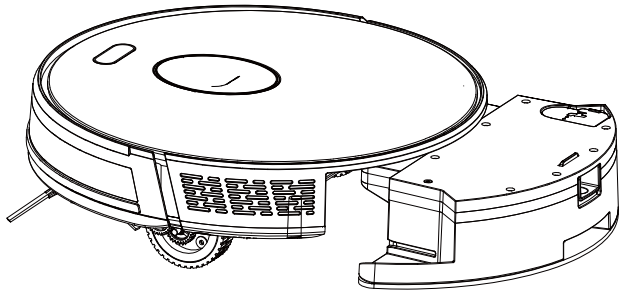


Start Mopping the Floor

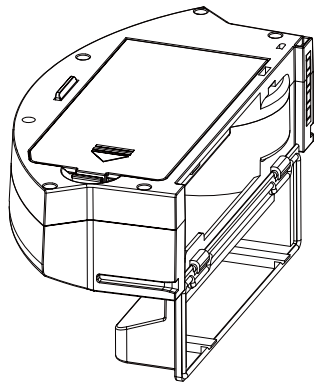


## Component maintenance / dust box

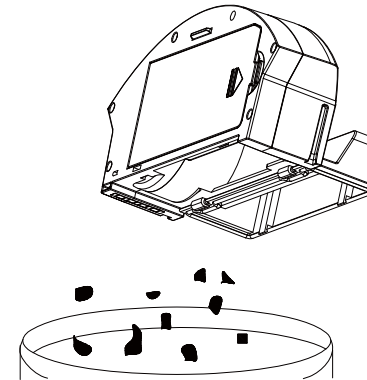
A. Press the dust box button to take out the dust box;



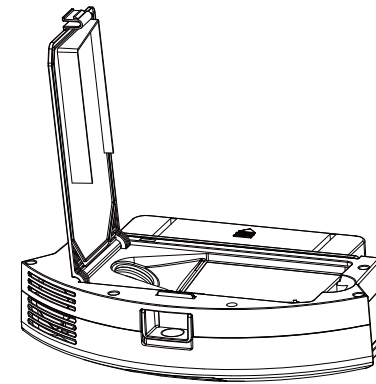
B. Open the dust box side cover



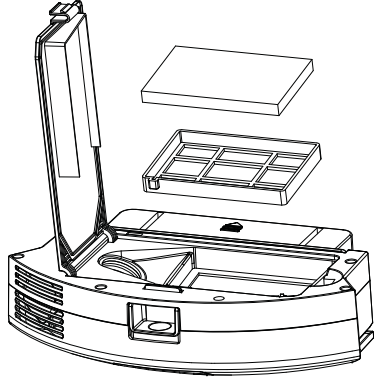
C. Dumping garbage



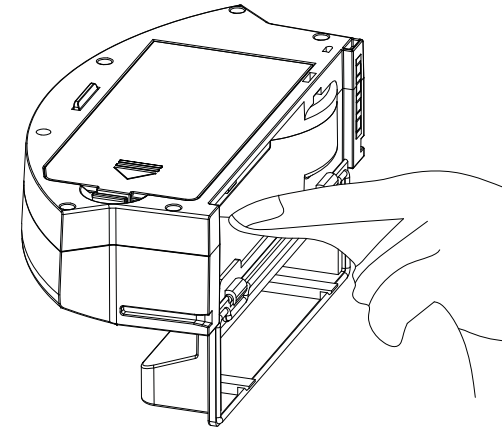
D. Open the high efficiency net cover



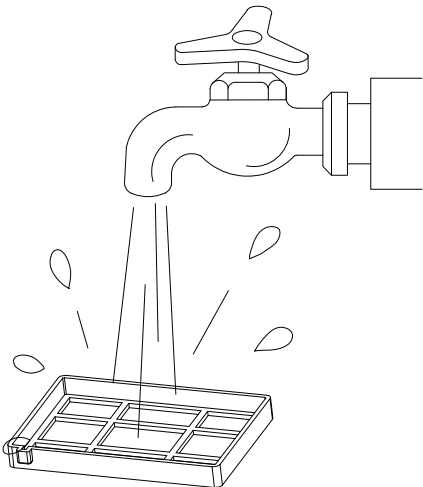
E. Open the high-efficiency screen cover and take out the high-efficiency screen and the primary-efficiency screen. high-efficiency screen does not recommend water washing. Tap gently to remove dust.



G. The dust box is scrubbed clean with dishcloth. Do not allow water to seep into the fan port when cleaning.

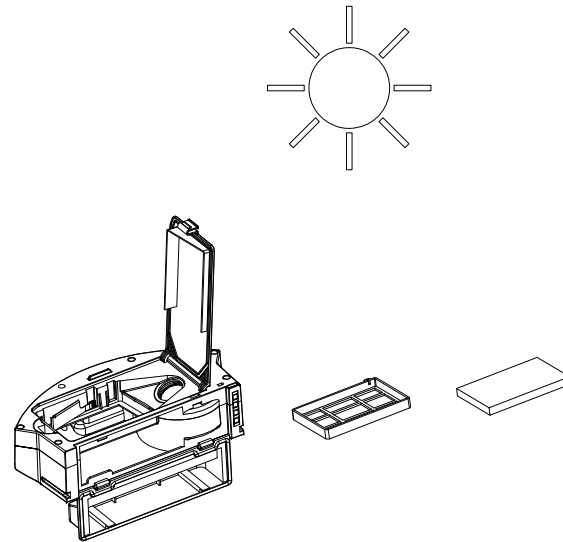


F. Rinse the primary filter screen



H. Dry the dust box and filter assembly, and keep it dry to ensure its service life.

**Note:** It is recommended to wash the primary strainer with water 15 - 30 days after it is used. The maximum service life of the high efficiency filter screen is 3 months.



I. Replace the primary filter screen and the high efficiency filter screen into the dust box;

**Note :** 1. Before installing the filter screen, please ensure that the high efficiency filter screen and the primary filter screen are in a dry state.

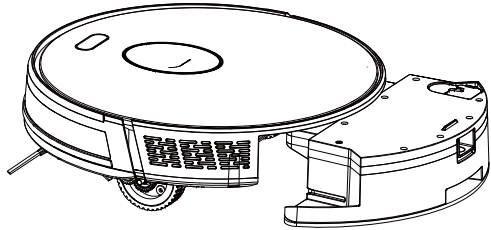
2. Do not expose the high efficiency strainer and primary strainer to the sun.

J. Cover the dust box cover and install the dust box on the host

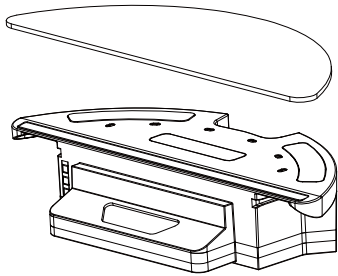
**!** **Note:** Do not allow water to seep into the fan port when cleaning.

## Component maintenance / water tank and dishcloth

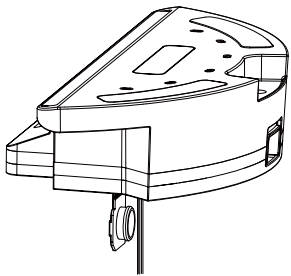
1. Take out the water tank assembly



2. Remove the dishcloth



3. Empty the Water Tank



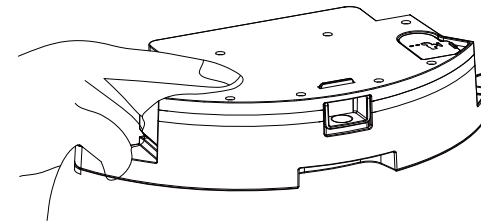
4. Cleaning Cloth



5. Airing

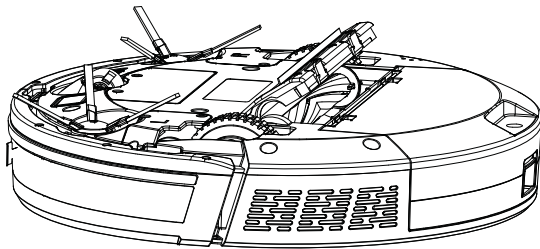


6. Dry or naturally dry the water tank

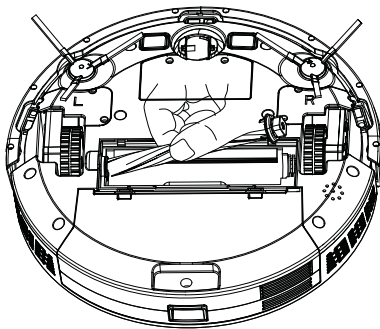


## Component maintenance / roller brush and side brush

1. Open the roller brush cover assembly

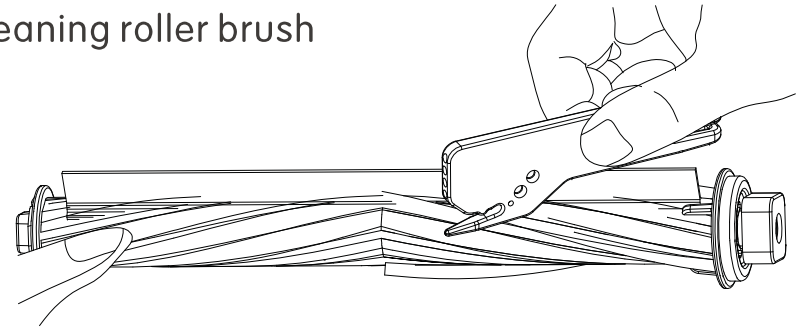


2. Take out the roller brush shaft

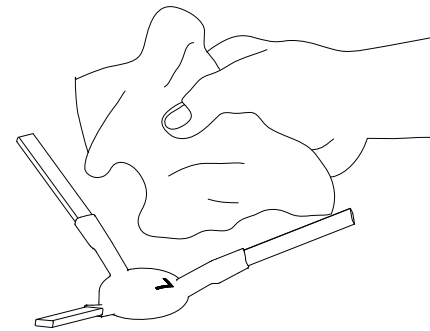


3. Utility tool for cleaning tangled hair

Cleaning roller brush



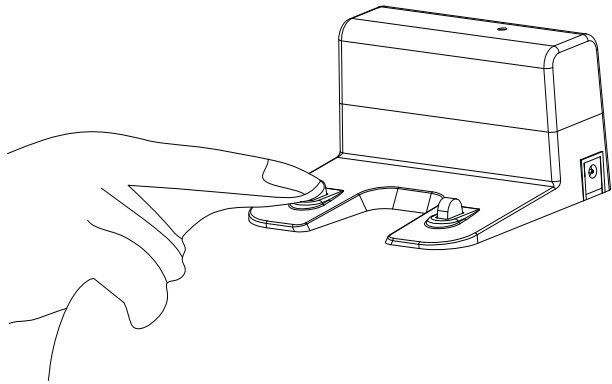
Cleaning side brush



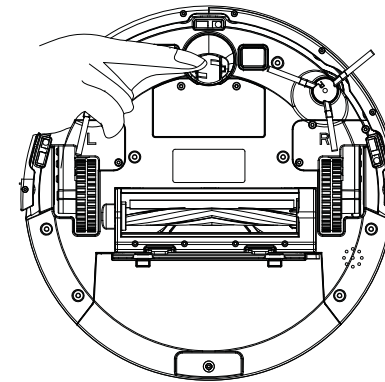
## Component maintenance / charging pole piece, down view sensor, drive wheel and universal wheel

**Warm Tip:** The interior of the charging pole piece, the down-view sensor and the striking plate all contain sensitive electronic components. please use dry dishcloth when cleaning, and do not use wet dishcloth to prevent damage caused by water inflow.

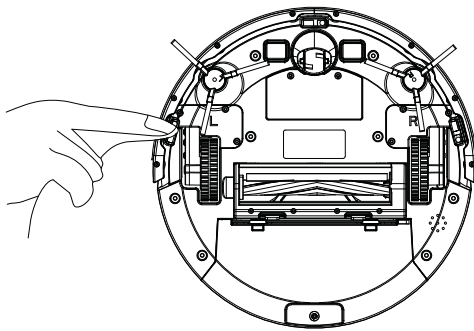
### Clean up charging pole piece



### Clean drive wheels and universal wheels



### Clean the down-view sensor



- If you do not use the product for a long time, please fully charge it before storing. Turn off the host and insist on supplying power to it every 3 months to prevent the battery from overdischarge.
- If the battery is overdischarged or is not used for a long time, the product may not be able to be charged. Please contact our company for after-sales maintenance. do not disassemble it yourself.

## Investigation of common problems

No.	Prompt Tone	Cause of Failure	Solution
1	Wheels off the ground	Host computer suspended	Please put the host back to the ground and press the cleaning key again.
2	Dust box not installed	Dust box removed and not installed	Return the dust box to the host and press the cleaning key again.
3	Battery failure	Abnormal battery charging	Contact after-sales test battery
4	Please check if the wheel is stuck	Wheel jammed	Check whether the wheel is entangled with foreign objects and clean up the entangled objects.
5	Please check if the front collision is stuck	Front impact bracket stuck	Check whether the front collision can rebound normally
6	Robot connection failed	Machine failed to connect to server	Check whether the wireless network connected during distribution can connect to the internet
7	The battery is low, please charge the machine.	Battery power less than 20 %	The machine automatically enters the recharge mode
8	Please check whether the side brush is tangled or jammed.	Abnormal edge brushing	Check whether the side brush is wound by wire and clean up the wound
9	Please move the machine to the open area.	The machine failed to get out of trouble.	Please move the host to an empty place and press the cleaning key again.



## Product Parameter

Classification	Projects	Parameter
Structural class	Diameter	330 mm
	Height	74mm
	Net weight	2.7 kg
Battery	Voltage	14.4 volts
	Battery	2500 mah rechargeable lithium battery pack
Sweeping parameter	Bin capacity	600 ml
	Charging type	Automatic charging / manual charging
	Cleaning mode	Planning / single room / fixed point / border / mop floor
	Primary charging time	About 300 minutes
	One cleaning time	About 100 minutes
Host	Rated power ( w )	28
	Operating voltage ( v )	14.4

\* Due to the continuous improvement of the product, this information product is subject to the physical object, and our company reserves the right to update the product.

Component	Harmful Substance					
	Pb/Pb compound	Hg/Hg compound	Cd/Cd compound	Cr(VI)/Cr(VI) compound	PBB	PBDE
Plastic	○	○	○	○	○	○
Hardware	×	○	○	○	○	○
Host circuit module	×	○	○	○	○	○
Electronic	○	○	×	○	○	○
Battery	○	○	○	○	○	○
Plug power cord (Metal part)	×	○	○	○	○	○

Description: This form is prepared in accordance with the provisions of SJ/T 11364

- : Indicates that the content of the hazardous substance in all homogeneous materials of the part is below the limit requirement specified in the current valid version of GB/T26572.
  - ×
- It indicates that the content of the hazardous substance in at least one of the homogeneous materials of the part exceeds the limit requirement stipulated in the current effective version of GB/T26572, and there is no mature alternative in the industry, which meets the environmental protection requirements of the EU RoHS Directive.



The number in this logo indicates that the product has an environmental protection period of 10 years under normal use.

Executive standard: GB4706.1-2005  
GB4343.1-2009

GB4706.7-2014  
GB17625.1-2012

**FCC Radiation Exposure Statement:**

This equipment complies with FCC radiation exposure limits set forth for an uncontrolled environment. This equipment should be installed and operated with minimum distance 20cm between the radiator & your body.

**FCC Warning**

This device complies with Part 15 of the FCC Rules. Operation is subject to the following two conditions:

(1) This device may not cause harmful interference, and (2) this device must accept any interference received, including interference that may cause undesired operation.

NOTE 1: This equipment has been tested and found to comply with the limits for a Class B digital device, pursuant to part 15 of the FCC Rules. These limits are designed to provide reasonable protection against harmful interference in a residential installation. This equipment generates, uses and can radiate radio frequency energy and, if not installed and used in accordance with the instructions, may cause harmful interference to radio communications. However, there is no guarantee that interference will not occur in a particular installation. If this equipment does cause harmful interference to radio or television reception, which can be determined by turning the equipment off and on, the user is encouraged to try to correct the interference by one or more of the following measures:

- Reorient or relocate the receiving antenna.
- Increase the separation between the equipment and receiver.
- Connect the equipment into an outlet on a circuit different from that to which the receiver is connected.
- Consult the dealer or an experienced radio/TV technician for help.

NOTE 2: Any changes or modifications to this unit not expressly approved by the party responsible for compliance could void the user's authority to operate the equipment.

**NOTE 3:** This device could automatically discontinue transmission in case of absence of information to transmit, or operational failure. Note that this is not intended to prohibit transmission of control or signaling information or the use of repetitive codes where required by the technology.