

S-1801A Camera sensor wall light manual

Connecting way of camera:

- 1、 Scan the QR code and automatically enter the application store to download the corresponding version of **Kalay** software and install it successfully.



Android



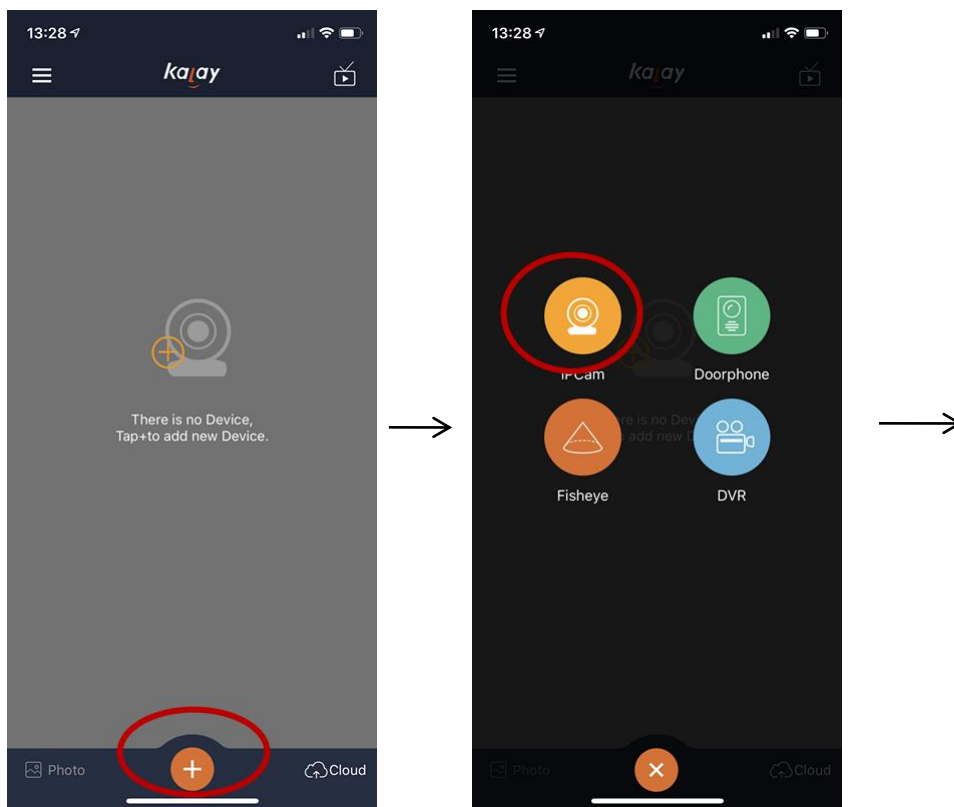
ios

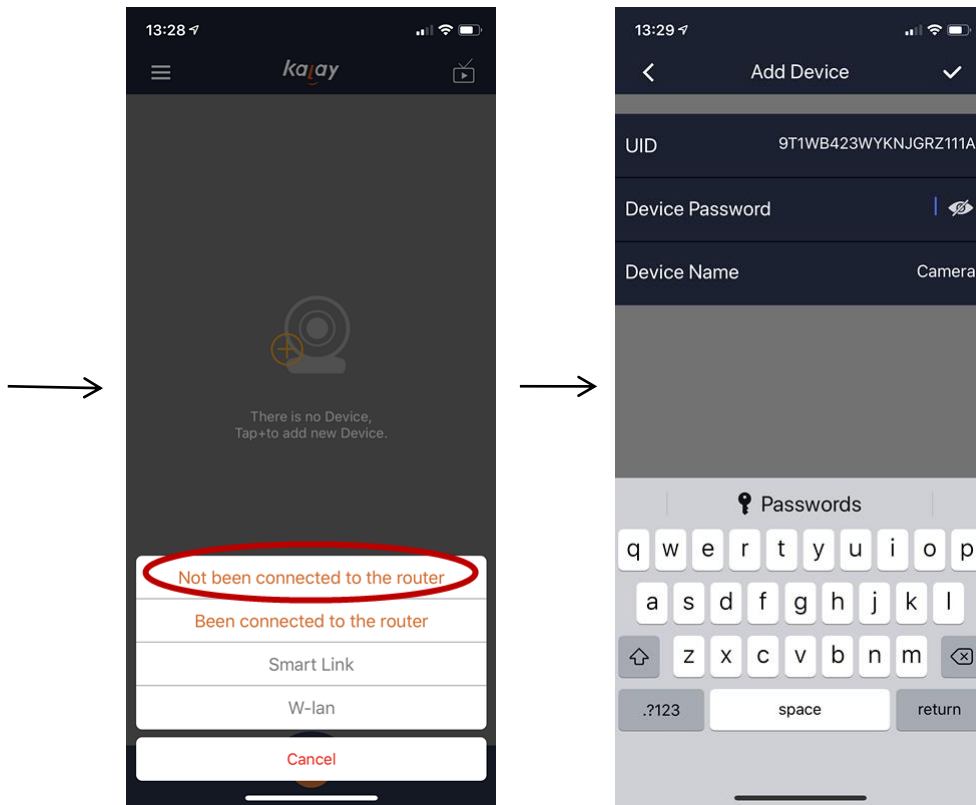


- 2、 In the phone settings, click on WLAN or WIFI, select the network with 21 digits plus letters, and connect it. (Open the light)

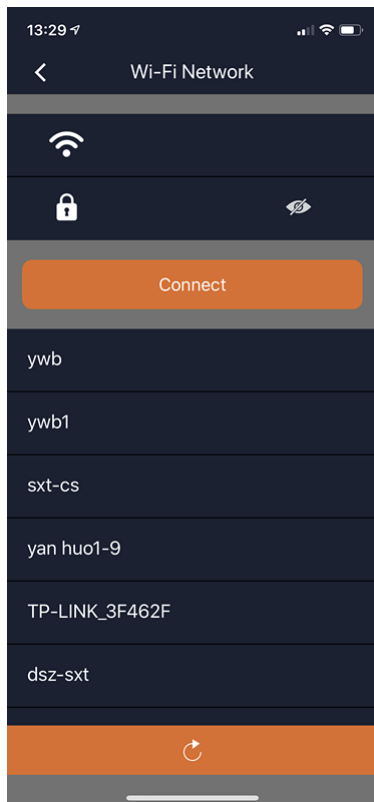


3、 Open the **Kalay**, click the “+” , then chose the “**IPCam**” . Chose the “Not been connected to the router” . Then turn to "Add Device Page", enter "123" in the device password, click the " ✓ " symbol on the right .

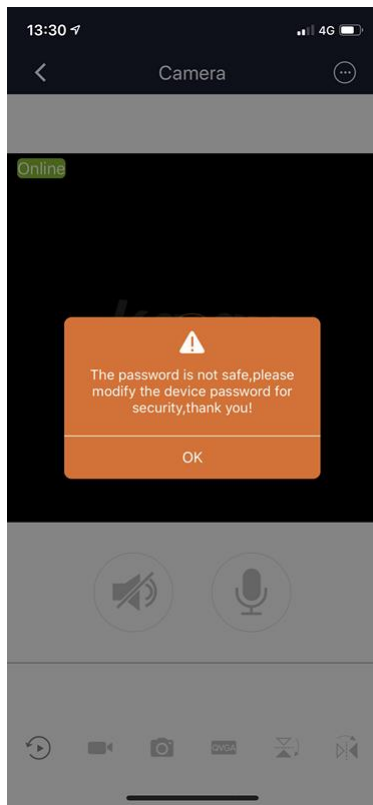




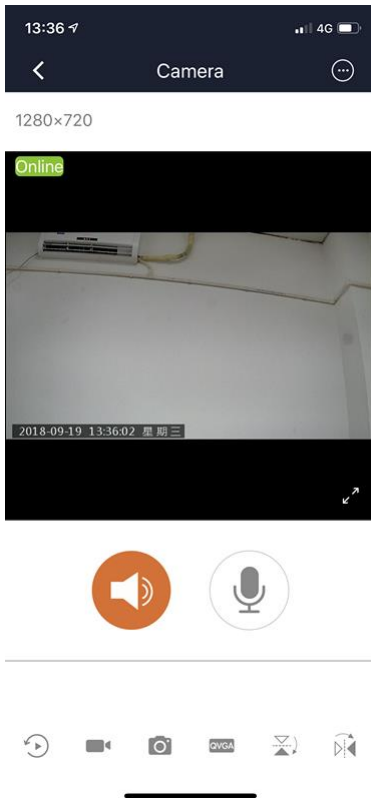
4、 Now, the camera has been successfully connected. Next, let the camera connect to the Internet. Turn to “WiFi Network” page, please chose available and stable wifi, enter the password of wifi, connect the wifi successfully.



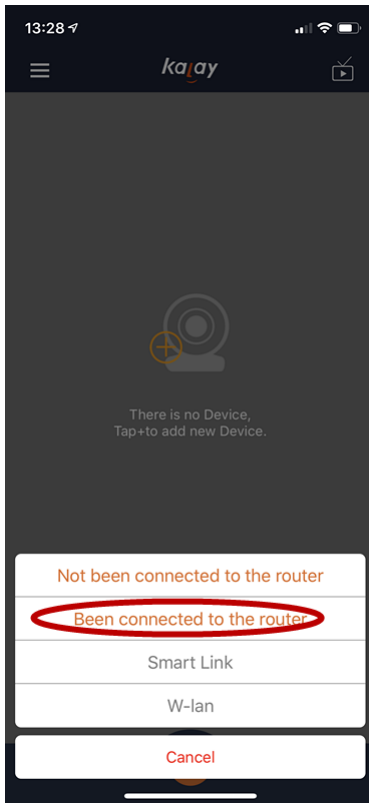
5、 On the Kalay software main page, click to select the camera, prompt "the current device password is not safe, please modify, thank you", click "OK" below --> On the "Change Password" page, change the password and select "Yes" --> prompt "Congratulations! The password has been updated successfully", click "OK" --> Settings successfully, you can start using the camera.



6、 Click the “speaker” button, you can hear the sound from the camera. Click the “microphone”, you can talk to someone around the camera.



- 7、 Install the corresponding version of Kalay software in the new mobile phone, and set the mobile WiFi network to the same WiFi network of the camera. Open the kalay software and click the "+" sign below -> "Network Camera" -> "Add New Connected On the router device --> local search page, the camera light added in step 3 appears automatically, and the network IP address is displayed below. Click the camera --> Add device page, enter the camera password in the device password -- > The camera is added successfully.



Operation of light

Installation

- **Must be installed by a qualified person**
- Loosen the screw at the back of the light and remove the wall bracket.
- Drill two mounting holes in the wall bracket using an appropriately

Name: Ningbo Fiercer Leopard Electrical Appliance Co., Ltd.

Address: No.1&2 Wanghai Road (Wanghai Industrial Area), Xidian town, 315611 Ninghai, Ningbo, PEOPLE'S REPUBLIC OF CHINA

sized drill bit for mounting screws

- Hold the wall bracket against the surface it is to be mounted onto and screw it in place using 2 mounting screws.
- Note: if the mounting surface requires the use of wall plugs (e.g. brick or concrete) or pre-drilling (e.g. hard wood), first mark and drill pilot holes in the wall using the wall bracket as a template.
- Normal working temperature range: -40 to +80°C;
- Normal working voltage range: 100-240Vac; 50/60Hz;
- Degree of Protection: IP44 suitable for indoor and outdoor use;
- The products with non-user replaceable light source - light source which can only be replaced by the manufacturer, his service agent, or similar qualified person

Restoring the factory settings

In order to restore the factory settings (for example in order to reset the default and automatic camera connection with Wi-Fi network after first configuration in Kalay app) hold down the reset button (figure below) using, for example, a small screwdriver or other tool for a few seconds until you hear a short sound signal.

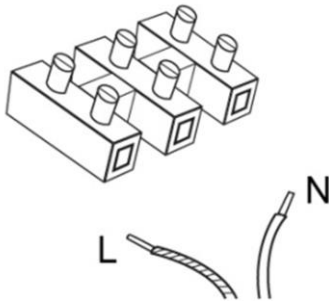
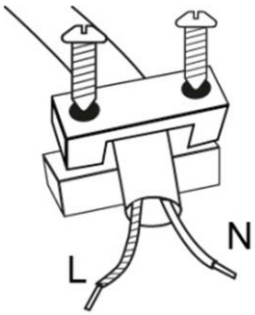


Notes about installation and usage

1. It is forbidden to install the device with visible damage on the casing or on the power cord.
2. During the installation, make sure to disconnect the power supply and keep health and safety rules.
3. A correctly installed device can be only connected to an efficient electrical installation.
4. Works related to electrical connection should be performed by a specialist with an appropriate electrical permissions.
5. It is necessary to respect the correct connection of the power cord.
Improper connection may result in

Name: Ningbo Fiercer Leopard Electrical Appliance Co., Ltd.
Address: No.1&2 Wanghai Road (Wanghai Industrial Area), Xidian town, 315611 Ninghai, Ningbo, PEOPLE'S
REPUBLIC OF CHINA

permanent damage to the device (see wiring diagram below).



6. In order to ensure optimal heat dissipation, the camera must not be covered with any material.

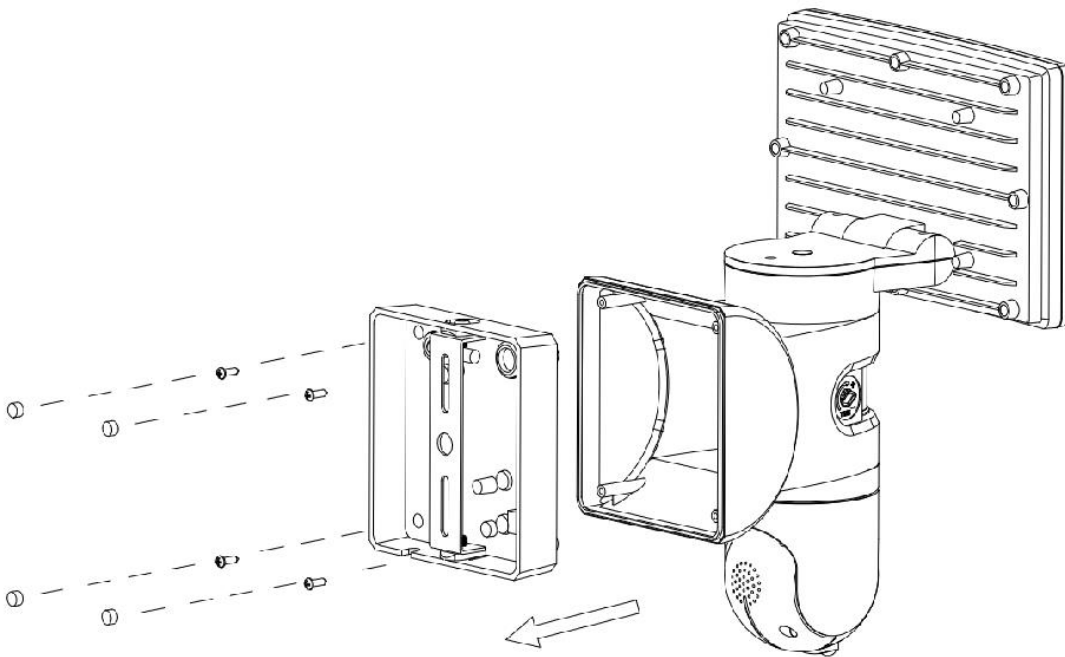
7. Installation must be done directly on a normally flammable substrates (i.e. the one whose ignition temperature is at least 200° C, which does not deform and does not soften at this temperature, e.g. wood and wood-based materials with a thickness above 2mm) or non-flammable (i.e. that does not maintain smoking, e.g. metal, gypsum, concrete).

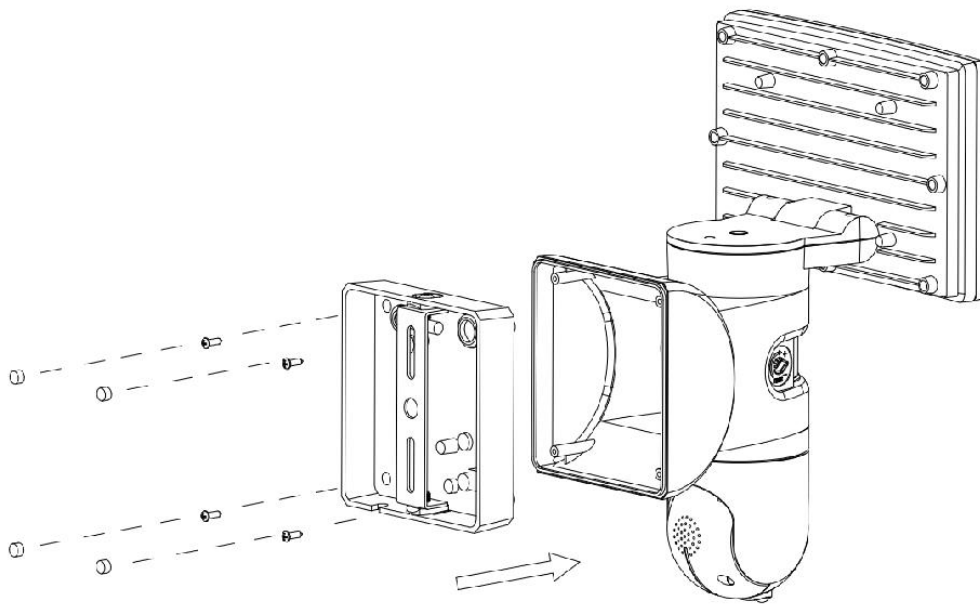
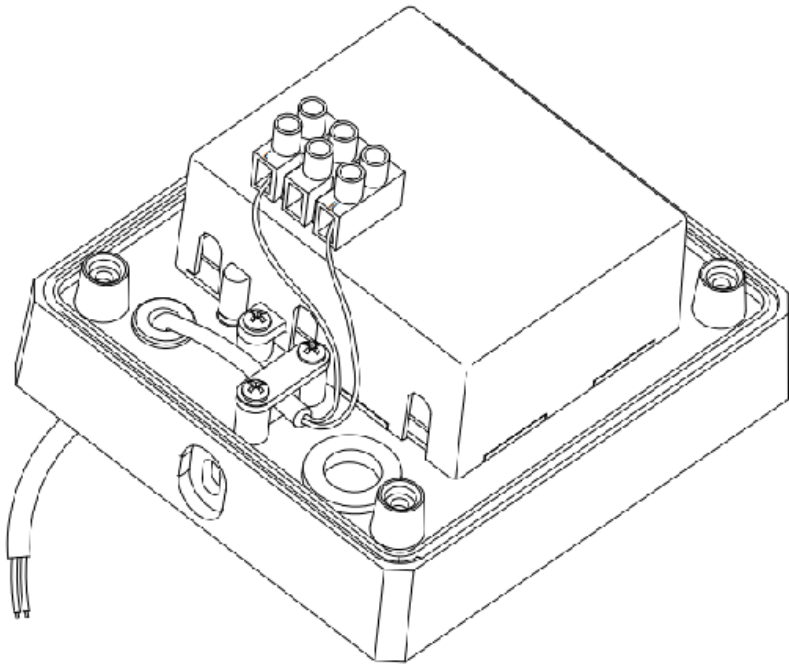
8. Technical changes reserved.

9. Keep this instruction.

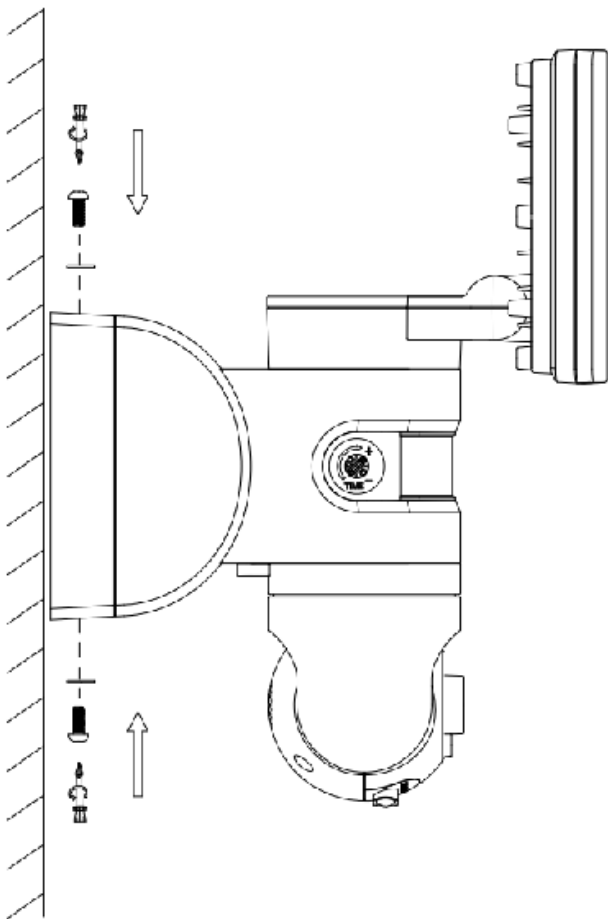
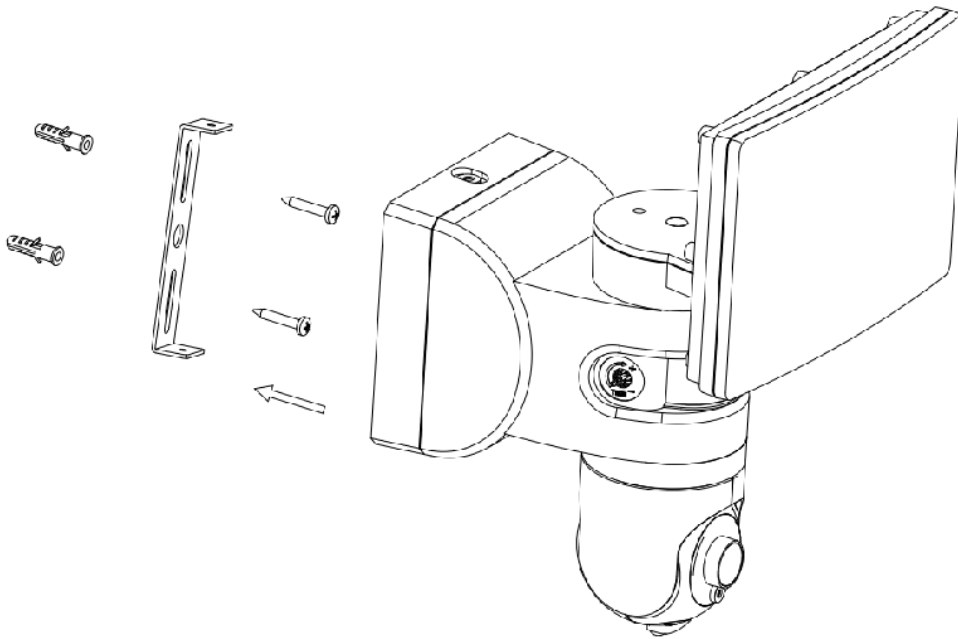
10. The Camera sensor wall light complies with FCC RF radiation exposure limits set forth for an uncontrolled

environment. Caution: To maintain the compliance with the FCC' s
RF exposure guideline, install the Robotic Vacuum Cleaner at least 7.9”
(20 cm) from ALL persons. The
transmitter of this device must not be co-located or operating in
conjunction with any other
antenna or transmitter.





Name: Ningbo Fiercer Leopard Electrical Appliance Co., Ltd.
Address: No.1&2 Wanghai Road (Wanghai Industrial Area), Xidian town, 315611 Ninghai, Ningbo, PEOPLE'S
REPUBLIC OF CHINA



Operation

The light has 2 different control dials which allow you to adjust the

Name: Ningbo Fiercer Leopard Electrical Appliance Co., Ltd.
Address: No.1&2 Wanghai Road (Wanghai Industrial Area), Xidian town, 315611 Ninghai, Ningbo, PEOPLE'S
REPUBLIC OF CHINA

settings these control dials can be located underneath the motion detector head.

- Sensitivity to light(LUX)
- The light duration once motion has been detected(Time)

LUX: This is the level of darkness reached before the light turn on. If set to maximum level, the light will turn on in most situations ranging from dusk to daylight. If set to minimum level, the light will turn on in the dark. This is the most ideal position for general evening and night operation.

Time: This dial will set the duration of the time the light will stay illuminated for after motion has been detected. The time can be adjusted from 3 seconds to 7 minutes. Rotating the dial clockwise will extend the time the lamp is illuminated.

(FCC warning:

Note: This equipment has been tested and found to comply with the limits for a Class B digital device, pursuant to part 15 of the FCC Rules. These limits are designed to provide reasonable protection against harmful interference in a residential installation. This equipment generates, uses and can radiate radio frequency energy and, if not installed and used in accordance with the instructions, may cause harmful interference to radio communications. However, there is no guarantee that interference will not occur in a particular installation. If this equipment does cause harmful interference to radio or television reception, which can be determined by turning the equipment off and on, the user is encouraged to try to correct the interference by one or more of the following measures:

Name: Ningbo Fiercer Leopard Electrical Appliance Co., Ltd.
Address: No.1&2 Wanghai Road (Wanghai Industrial Area), Xidian town, 315611 Ninghai, Ningbo, PEOPLE'S
REPUBLIC OF CHINA

—Reorient or relocate the receiving antenna.

—Increase the separation between the equipment and receiver.

—Connect the equipment into an outlet on a circuit different from that to which the receiver is connected.

—Consult the dealer or an experienced radio/TV technician for help.

Modification: Any changes or modifications not expressly approved by the grantee of this device could void the user' s authority to operate the device.

Name: Ningbo Fiercer Leopard Electrical Appliance Co., Ltd.

Address: No.1&2 Wanghai Road (Wanghai Industrial Area), Xidian town, 315611 Ninghai, Ningbo, PEOPLE'S
REPUBLIC OF CHINA