

**TECNOCK**

GUANGDONG SINOVAN CULTURE CO.,LTD.  
Address: XINAN INDUSTRIAL AREA, CHENGHAI, SHANTOU, GUANGDONG, CHINA  
This toy contains batteries that non-replaceable

Importer: XXXXXX  
Address: XXXXXX

# RC HIGH SPEED CAR INSTRUCTION MANUAL

Thank you for purchasing our company's products, understanding and assembling this product, Please refer to the instruction manual



The picture is different from the real object, please refer to the real object



**14+** AGES

## Caution

1. Small parts, please keep them out of reach of children.
2. Please operate in the open field without any wave interference.
3. Discarded batteries should be safely disposed of, do not dispose of them arbitrarily.
4. Please store the car and remote control in a dry and cool environment.
5. Keep away from fire, high temperature and humid environment.
6. If the car battery is wet, be sure to dry it thoroughly to avoid damage.

## Notice

- Please pay attention to the polarity of the battery when installing or replacing the battery, non-rechargeable batteries cannot be charged.
- When not in use for a long time, the battery should be removed from the car and remote control.
- This manual should be kept for future reference.

## 1. Product configuration



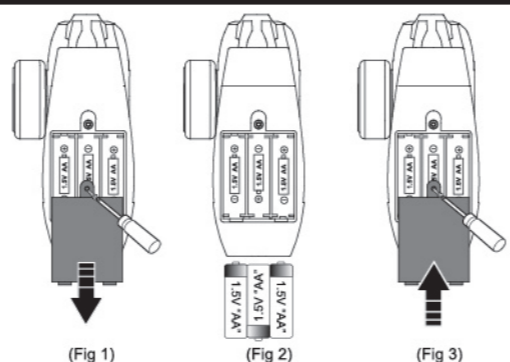
## 2. Remote control battery installation

### Battery installation diagram

1. As shown in Figure 1, open the battery cover.
2. As shown in Figure 2, install 3 1.5V AA batteries. (Pay attention to the polarity of the battery, do not install it in reverse.)
3. As shown in Figure 3, close the battery cover.

### Notice

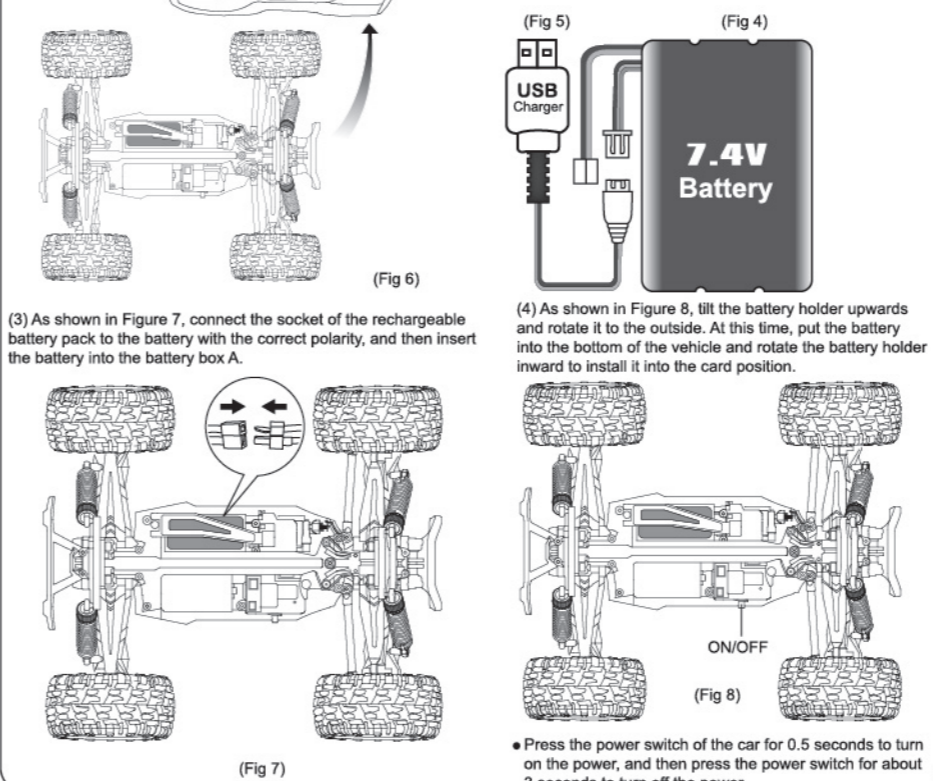
1. When installing the battery, make sure that the battery holder is marked with the match the polarity.
2. Do not mix old and new batteries.
3. Do not mix different types of batteries.
4. If the remote control is not used for a long time, please remove the battery.



-1-

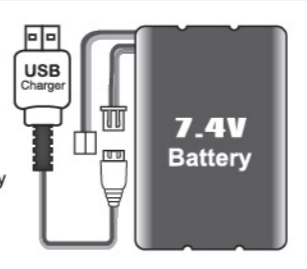
## 3. Remote control car battery installation

- (1) As shown in Figure 6, remove the off-road vehicle shell accessories, tilt up and rotate the battery press to place the battery in.
- (2) a) Insert the USB charging cable into the USB port of the computer or mobile phone charger, so that the red USB indicator light remains on. b) As shown in Figure 4 and Figure 5, connect the USB charger to the battery pack, so that the red indicator light is always on, and the green indicator light flashes slowly, indicating that it is charging. c) After charging for about 2.5 hours, the green indicator no longer flashes and turns to be always on, and the red indicator is always on, indicating that the charging has been completed.



## 4. Charger or battery pack precautions

- (1) In order to prevent the lithium-ion battery pack from being damaged or exploded due to over-charging, the charger adopts a voltage-limiting protection device. And to maintain the chargeability and performance of the battery pack, we recommend not charging for more than 24 hours continuously.
- (2) The battery adopts a low-voltage power supply over-discharge protection device. When the battery is over-discharged, it needs to be recharged to activate the battery. It is recommended to remove the battery and turn the switch to "OFF" when the car is not in use.
- (3) The circuit board has overheat protection function. When the board overheats, the car will be unusable. (Don't go forward/backward for 3-6 seconds to recover.)



-2-

(1) Function introduction diagram of the remote control

① Turn left/turn right  
② forward, backward

Recommended for beginners, slow down, learn and operate.

① Speed  
Turning the accelerator clockwise makes the car go faster, turning the accelerator counterclockwise makes the car go slower.

② Steering fine-tuning  
When the vehicle is driving to the left, it should be rotated clockwise to adjust, and when the vehicle is driving to the right, it should be rotated and adjusted counterclockwise.

Please turn the steering trim adjustment slowly until the car runs straight.

Note: When there is no operation on the remote control for 3 minutes, the car will enter the sleep mode, and the car will not be able to be remotely controlled. At this time, you need to turn on the power switch of the car to operate.




- (2) The frequency of the car is paired with the remote control.
  - a) When pairing for the first time, long press to turn on the car and the remote control to pair the frequency. (During the pairing process, the red and green lights of the remote control will flash alternately.) After successful pairing, the red light will turn off and the green light will be on.
  - b) When pairing frequencies, please do not touch the remote control with anything to ensure that the position of the remote control does not deviate.
  - c) If the pairing is unsuccessful, please turn off the car and the remote control and pair again.

(3) How to operate the car.



- a) Pull the accelerator back and the car moves forward.
- b) Push the accelerator forward and the car goes backwards.
- c) Pull the accelerator back, the remote control dial rotates counterclockwise, and the car turns left while moving forward.
- d) Pull the accelerator back, the remote control dial rotates clockwise, and the car turns right while moving forward.
- e) Push the accelerator forward, the remote control dial rotates counterclockwise, and the car turns left while moving backwards.
- f) Push the accelerator forward, the remote control dial rotates clockwise, and the car turns right while moving backwards.

Notice: When the power of the car or the remote control is insufficient, the LED light on the remote control will flash slowly, please charge or replace the battery in time.  
⊗ If you do not operate for about 3 minutes, the car will go to sleep. If you want to operate again, please turn off the power of the car and turn it on again.

-3-

		
Product No. S16-01	Product No. S16-01	Product No. S16-03
Product Name Car Shell	Product Name Car Shell	Product Name Remote Control
Specifications Z002A	Specifications Z002B	Specifications
Quantity 1x1	Quantity 1x1	Quantity 1x1
Style Blue ■	Style Green ■	Style

		
Product No. S16-04	Product No. S16-05	Product No. S16-06
Product Name Receiver Board Assembly	Product Name Steering gear servo	Product Name Lithium Battery
Specifications	Specifications	Specifications 7.4Vx800mA
Quantity 1x1	Quantity 1x1	Quantity 1x1
Style	Style	Style

		
Product No. S16-07	Product No. S16-08	Product No. S16-09
Product Name Charging Cable	Product Name Motor Components	Product Name Hub Hexagon Shaft
Specifications	Specifications 390 motor	Specifications
Quantity 1x1	Quantity 1x1	Quantity 1x4
Style	Style	Style

		
Product No. S16-10	Product No. S16-11	Product No. S16-12
Product Name Car Base	Product Name Second Floor	Product Name Front Bumper
Specifications	Specifications	Specifications
Quantity 1x1	Quantity 1x1	Quantity 1x2
Style	Style	Style

		
Product No. S16-13	Product No. S16-14	Product No. S16-15
Product Name Rear Bumper	Product Name Front Upper Swing Arm Left And Right	Product Name Rear Upper Swing Arm Left And Right
Specifications	Specifications	Specifications
Quantity 1x1	Quantity 1x2	Quantity 1x2
Style	Style	Style

		
Product No. S16-16	Product No. S16-17	Product No. S16-18
Product Name Front Lower Arm Left And Right	Product Name Front Lower Arm Left And Right	Product Name C-Seat Left And Right
Specifications	Specifications	Specifications
Quantity 1x2	Quantity 1x2	Quantity 1x2
Style	Style	Style

		
Product No. S16-19	Product No. S16-20	Product No. S16-21
Product Name Front Wheel Seat Left And Right	Product Name Rear Wheel Seat Left And Right	Product Name Steering Rod
Specifications	Specifications	Specifications
Quantity 1x2	Quantity 1x2	Quantity 1x3
Style	Style	Style


		
Product No. S16-22	Product No. S16-23	Product No. S16-24
Product Name Front Shock Plate	Product Name Rear Shock Plate	Product Name Differential Case Cover
Specifications	Specifications	Specifications
Quantity 1x1	Quantity 1x1	Quantity 1x1
Style	Style	Style


		
Product No. S16-25	Product No. S16-26	Product No. S16-27
Product Name Battery Press	Product Name Motor Base	Product Name Steering Gear Press
Specifications	Specifications	Specifications
Quantity 1x1	Quantity 1x4	Quantity 1x4
Style	Style	Style


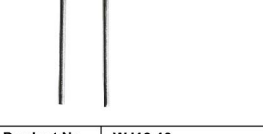

		
Product No. S16-28	Product No. S16-29	Product No. S16-30
Product Name Front Body Bracket Assembly	Product Name Rear Body Bracket Assembly	Product Name Differential Case Assembly
Specifications	Specifications	Specifications
Quantity 1x1	Quantity 1x1	Quantity 1x2
Style	Style	Style

		
Product No. S16-31	Product No. S16-32	Product No. S16-33
Product Name Steering Components	Product Name Central Drive Shaft Assembly	Product Name Shock Absorber Components
Specifications	Specifications	Specifications
Quantity 1x1	Quantity 1x1	Quantity 1x4
Style	Style	Style

		
Product No. S16-34	Product No. WJ16-01	Product No. WJ16-02
Product Name Hub Assembly	Product Name Universal Drive Shaft Assembly	Product Name Rear Axle
Specifications	Specifications	Specifications
Quantity 1x4	Quantity 1x2	Quantity 1x2
Style	Style	Style

		
Product No. WJ16-03	Product No. WJ16-04	Product No. WJ16-05
Product Name Rear Drive Shaft	Product Name Heat Sink	Product Name Bearing
Specifications	Specifications	Specifications 8x12.7x4
Quantity 1x2	Quantity 1x1	Quantity 1x4
Style	Style	Style

		
Product No. WJ16-06	Product No. WJ16-07	Product No. WJ16-08
Product Name Bearing	Product Name Locknut	Product Name Ball Head Screw
Specifications 6.3x9.5x3	Specifications M3	Specifications 4,8x13
Quantity 1x8	Quantity 1x4	Quantity 1x10
Style	Style	Style

		
Product No. WJ16-09	Product No. WJ16-10	Product No. WJ16-11
Product Name Round Bar	Product Name Round Bar	Product Name Round Bar
Specifications 4x26	Specifications 2.5x42	Specifications 2.5x26
Quantity 1x2	Quantity 1x4	Quantity 1x4
Style	Style	Style

		
Product No. WJ16-12	Product No. WJ16-13	Product No. WJ16-14
Product Name Round Bar	Product Name Round Bar	Product Name Machine Screw
Specifications 2.5x13.5	Specifications 2.5x9.5	Specifications 2.5x6
Quantity 1x2	Quantity 1x2	Quantity 1x2
Style	Style	Style

		
Product No. WJ16-15	Product No. WJ16-16	Product No. WJ16-17
Product Name Swing Arm Half Screw	Product Name Phillips Head Screw	Product Name Phillips Head Screw
Specifications 2.5x28	Specifications 2.6x6PB	Specifications 2.6x8PB
Quantity 1x4	Quantity 1x6	Quantity 1x23
Style	Style	Style

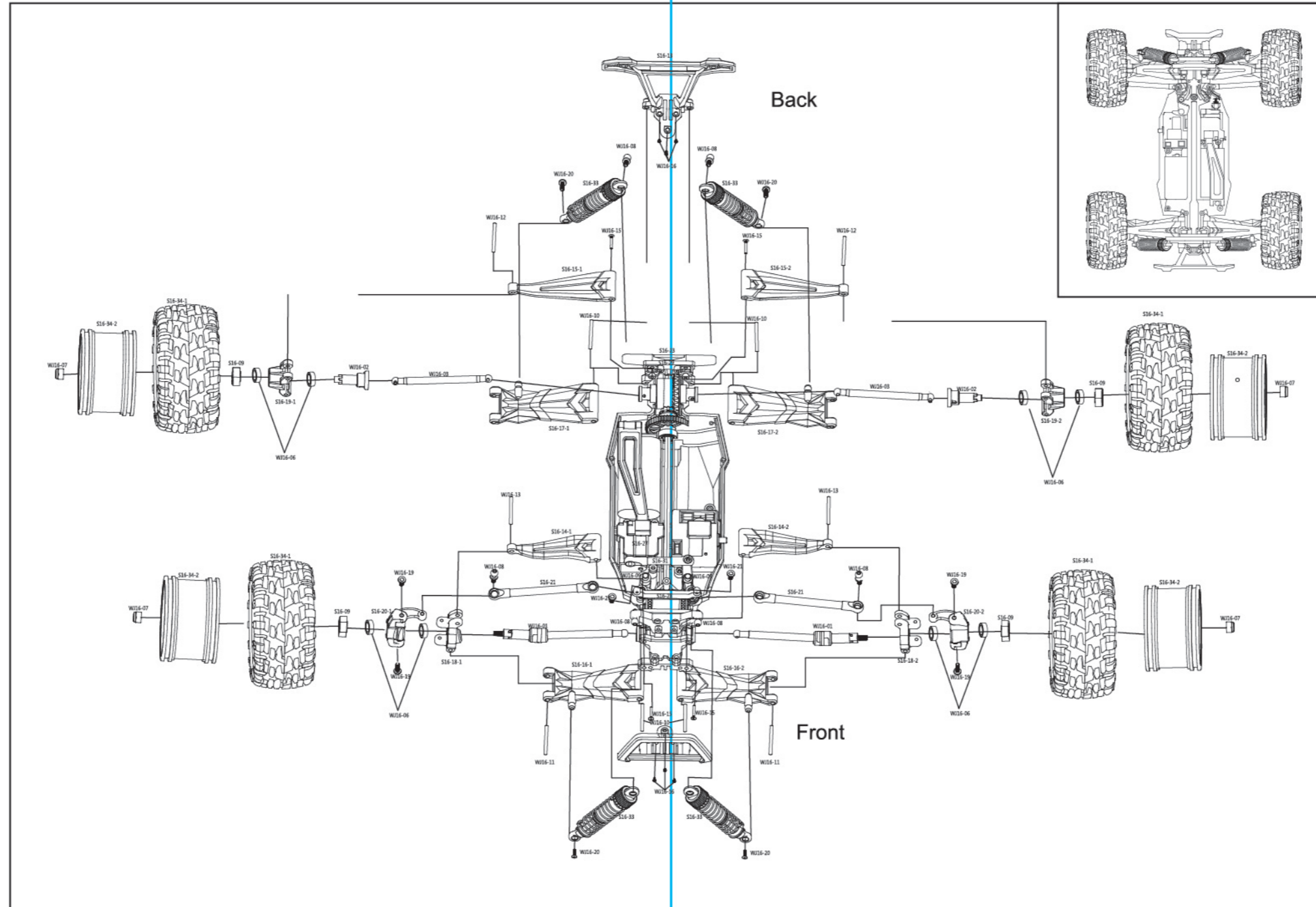
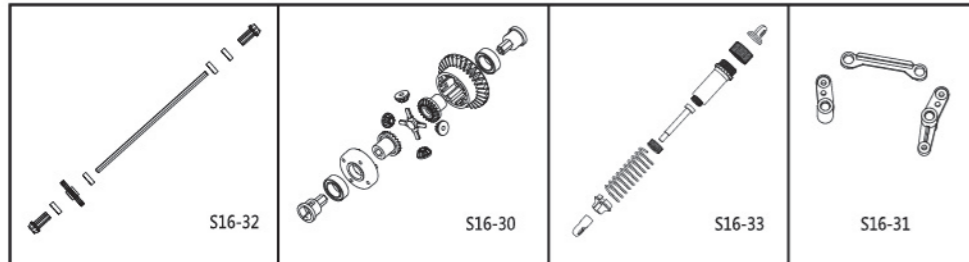
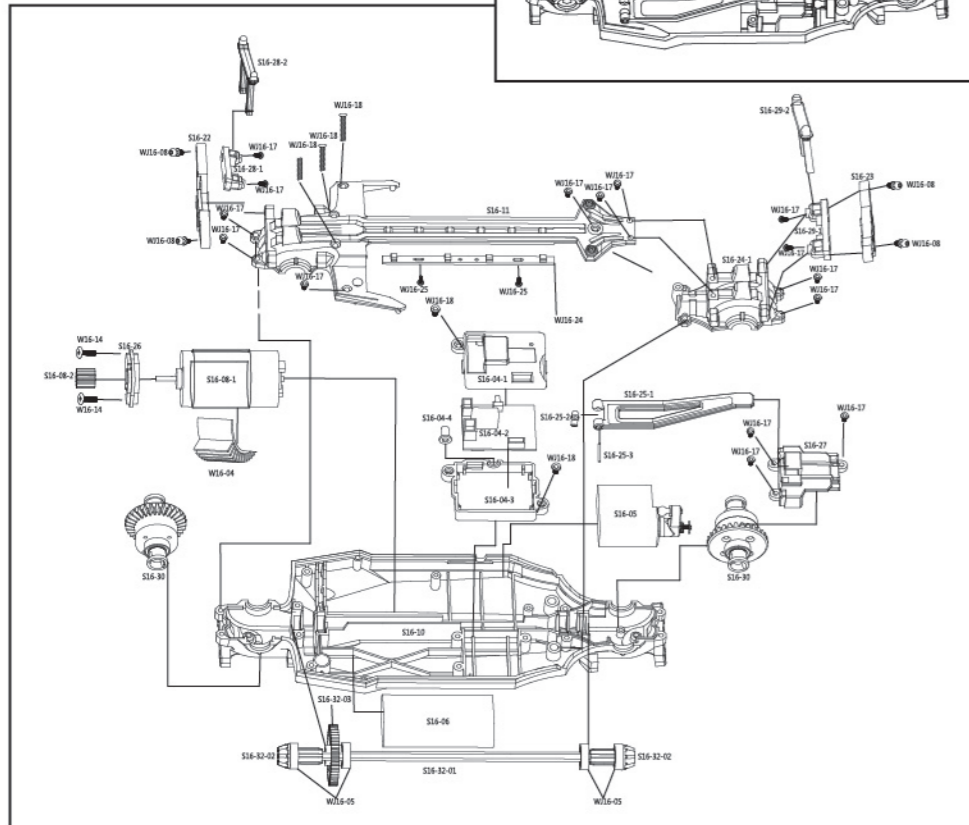
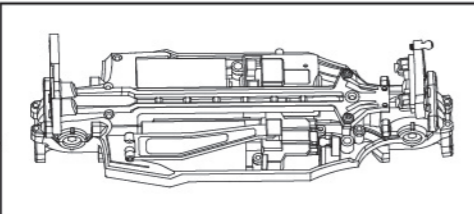
		
Product No. WJ16-18	Product No. WJ16-19	Product No. WJ16-20
Product Name Phillips Head Screw	Product Name Phillips Head Screw	Product Name Phillips Head Screw
Specifications 2.6x18PB	Specifications 2.6x12PMx6 Meson	Specifications 2.3x8PMx6 Meson
Quantity 1x3	Quantity 1x4	Quantity 1x6
Style	Style	Style

		
Product No. WJ16-21	Product No. WJ16-22	Product No. WJ16-23
Product Name Phillips Head Screw	Product Name Body Clip	Product Name Wrench
Specifications 2.3x6PMx8 Meson	Specifications	Specifications
Quantity 1x1	Quantity 1x8	Quantity 1x1
Style	Style	Style

	
Product No. WJ16-24	Product No. WJ16-25
Product Name Rc Light	Product Name Phillips Head Screw
Specifications	Specifications 2.0x4PB
Quantity 1x1	Quantity 1x2
Style	Style

NOT DETAILS FOR CHILDREN UNDER 3 YEARS OF AGE (SEE THE SMALL PARTS)  
 غير مفصّل للأطفال تحت سن 3 سنوات (انظر الأجزاء الصغيرة)  
 PRECAUCIONES: PELIGRO DE AHOGARSE. Contiene partes pequeñas. No recomendado para niños menores de 3 años.  
 EN-71

**WARNING** HAZARD - Small parts. Not for children under 3 years.  
**MADE IN CHINA**  
 SPECIFICATIONS COLOURS AND CONTENTS MAY VARY FROM ILLUSTRATIONS



**TECNOCK**



Instruction must be retained since it contains important information.

SAVE THESE INSTRUCTIONS.  
READ COMPLETE INSTRUCTIONS BEFORE USE.

This device complies with Part 15 of the FCC Rules. Operation is subject to the following two conditions:

- (1) this device may not cause harmful interference, and
- (2) this device must accept any interference received, including interference that may cause undesired operation.

Warning: Changes or modifications to this unit not expressly approved by the party responsible for compliance could void the user's authority to operate the equipment.

NOTE: This equipment has been tested and found to comply with the limits for a Class B digital device, pursuant to part 15 of the FCC Rules. These limits are designed to provide reasonable protection against harmful interference in a residential installation. This equipment generates, uses and can radiate radio frequency energy and, if not installed and used in accordance with the instructions, may cause harmful interference to radio communications. However, there is no guarantee that interference will not occur in a particular installation. If this equipment does cause harmful interference to radio or television reception, which can be determined by turning the equipment off and on, the user is encouraged to try to correct the interference by one or more of the following measures:

- Reorient or relocate the receiving antenna.
- Increase the separation between the equipment and receiver.
- Connect the equipment into an outlet on a circuit different from that to which the receiver is connected.
- Consult the dealer or an experienced radio/TV technician for help.

**HIGH-SPEED**